

[54] ENCLOSURE FOR A LUMINAIRE

2,905,808 9/1959 Wince 362/311

[75] Inventor: James Tatsuo Asaki, Fair Haven, N.J.

FOREIGN PATENT DOCUMENTS

220,488 11/1962 Japan D48/35

[73] Assignee: International Telephone and Telegraph Corporation, New York, N.Y.

OTHER PUBLICATIONS

Sweets Architectural Catalog File, 1970, Sec. 31b/AR, p. 6-Lamp #SL906 (bottom).

[**] Term: 14 Years

Primary Examiner—Susan J. Lucas

[21] Appl. No.: 710,599

Attorney, Agent, or Firm—Walter J. Baum

[22] Filed: Aug. 2, 1976

[57] CLAIM

[51] Int. Cl. D26—03; D26—05

The ornamental design for an enclosure for a luminaire, substantially as shown and described.

[52] U.S. Cl. D48/35; D48/16 C

[58] Field of Search D48/23 R, 23 A; 362/307, 308, 309, 310, 311, 326, 339, 362, 363, 431; D48/35, 36, 37, 38, 16 C

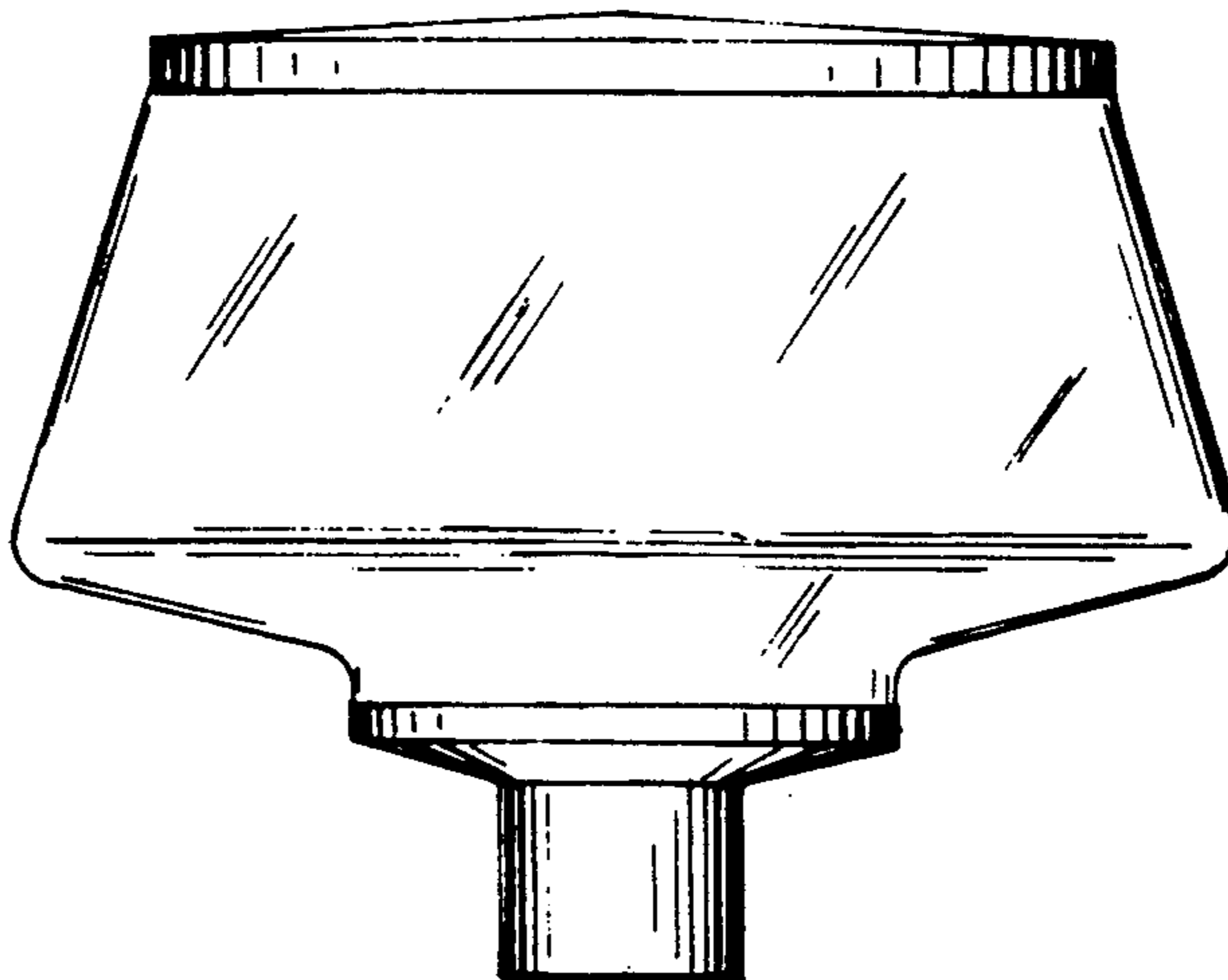
DESCRIPTION

[56] References Cited

U.S. PATENT DOCUMENTS

D. 197,438 2/1964 Harling et al. D48/35

FIG. 1 is a perspective view of an enclosure for a luminaire showing my new design; FIG. 2 is a side elevational view thereof, the enclosure side being uniform and regular in configuration; FIG. 3 is a top plan view thereof; and FIG. 4 is a bottom plan view thereof.



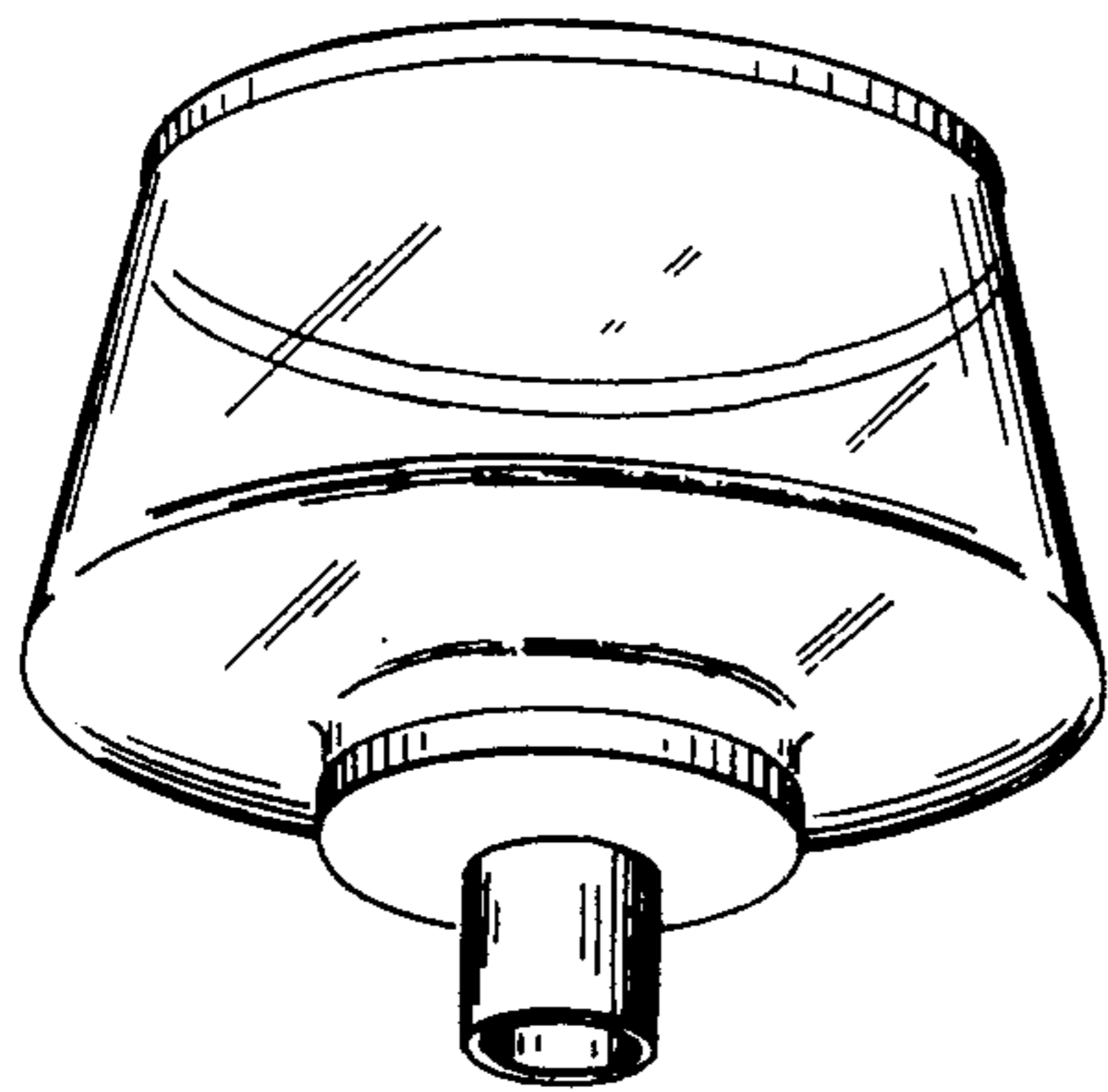


FIG. 1

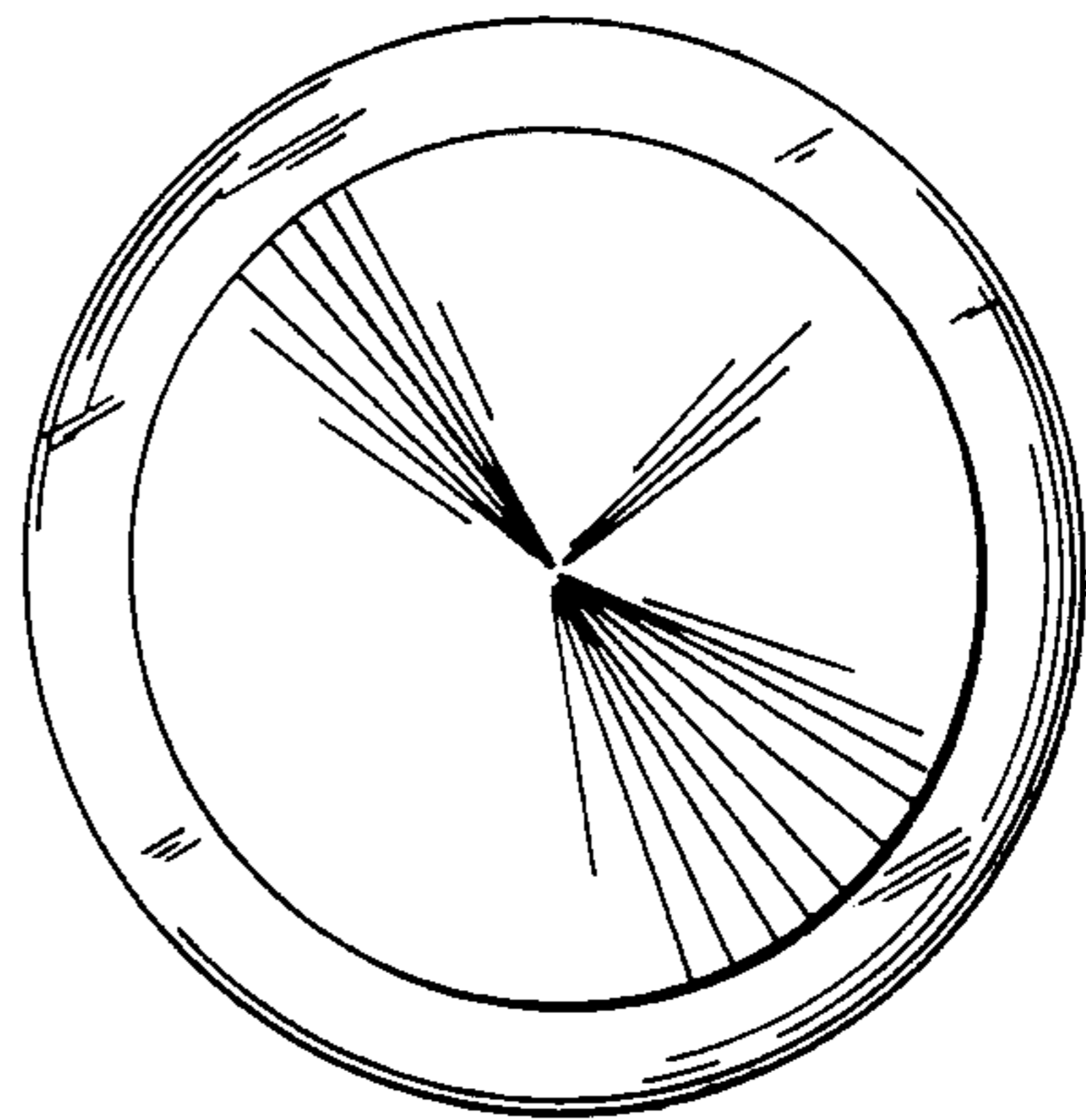


FIG. 3

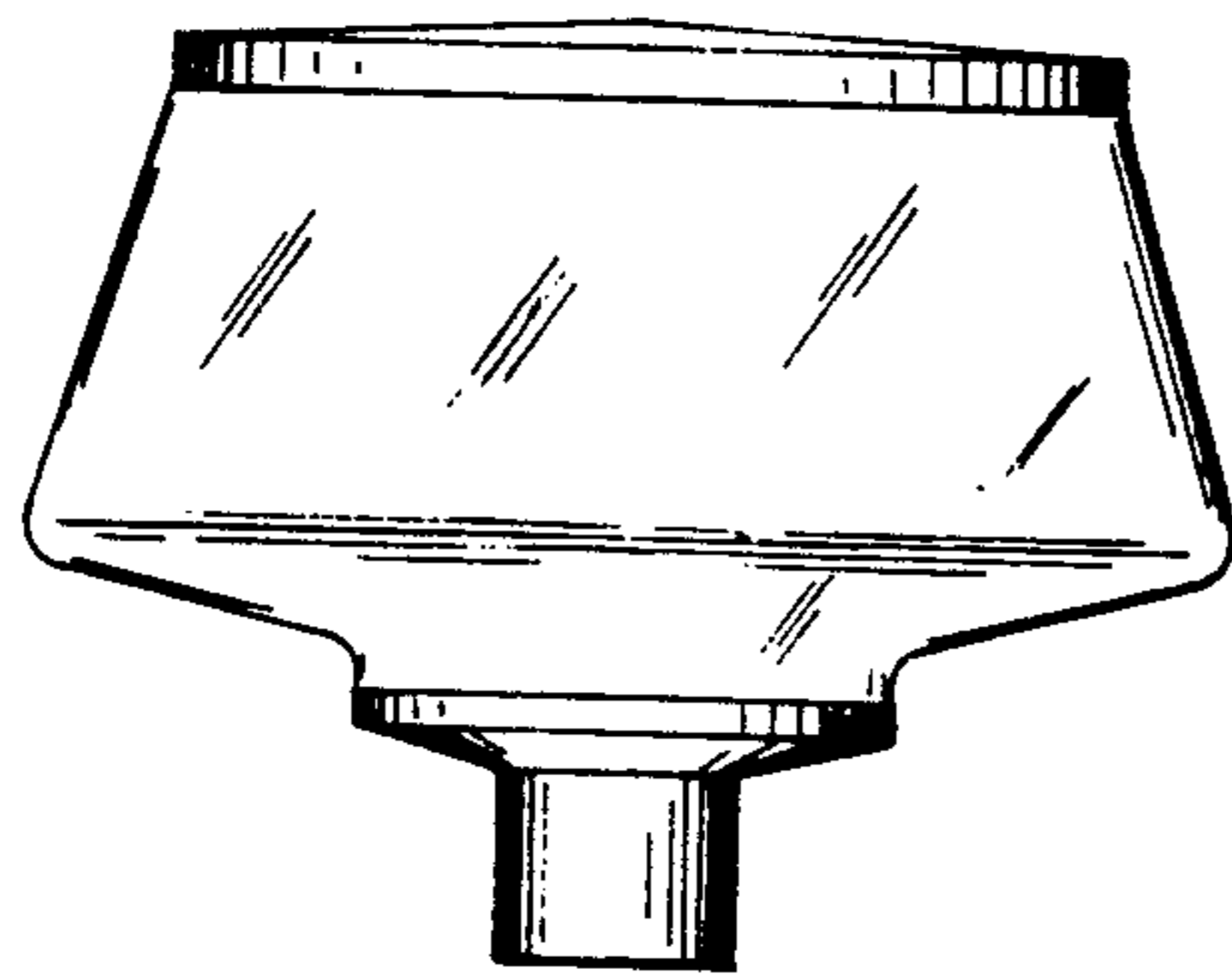


FIG. 2

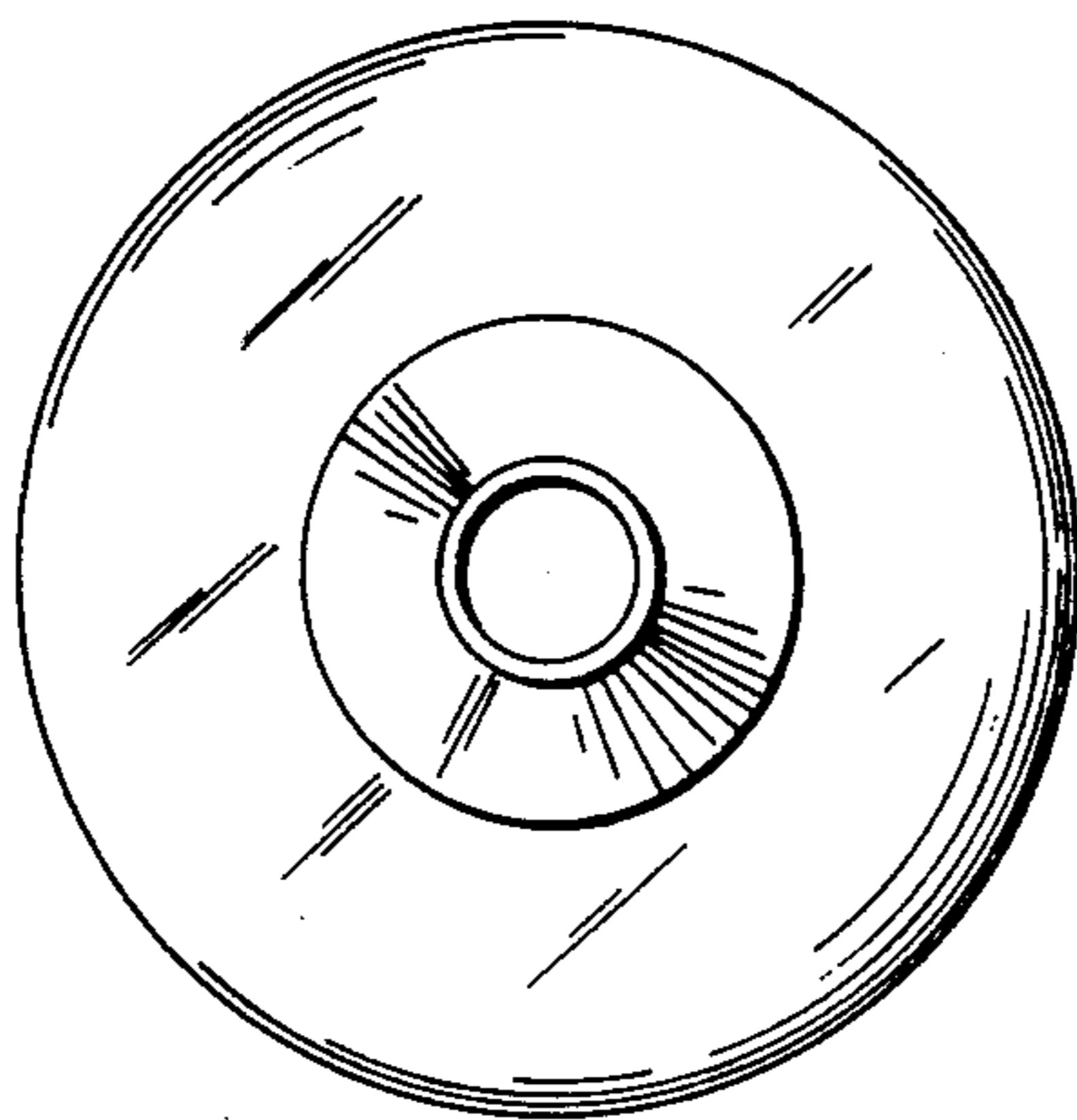


FIG. 4