

[54] TOY AIRPLANE

[75] Inventor: Jeffrey T. Samson, East Aurora, N.Y.

[73] Assignee: The Quaker Oats Company, Chicago, Ill.

[\*\*] Term: 14 Years

[21] Appl. No.: 644,427

[22] Filed: Dec. 29, 1975

[51] Int. Cl. .... D21-01

[52] U.S. Cl. .... D34/15 HH

[58] Field of Search ..... D34/15 HH; D12/71, 73, D12/77, 78, 80; 46/76 R, 76 A, 77, 78, 79, 80, 81, 89

[56] References Cited

U.S. PATENT DOCUMENTS

D. 192,664 4/1962 Peterson ..... D12/80  
1,693,189 11/1928 Arden ..... D34/15 HH

OTHER PUBLICATIONS

Aviation Week & Space Technology, 1-1971, p. 55, Aircraft at top of page.

Flight International, 5-1975, p. 12, Aircraft.

Flight International, 8-1975, p. 198, Fletcher FU-24.

Primary Examiner—Joel Stearman

Assistant Examiner—C. A. Rademaker

Attorney, Agent, or Firm—George W. Shaw

[57] CLAIM

The ornamental design for a toy airplane, substantially as shown.

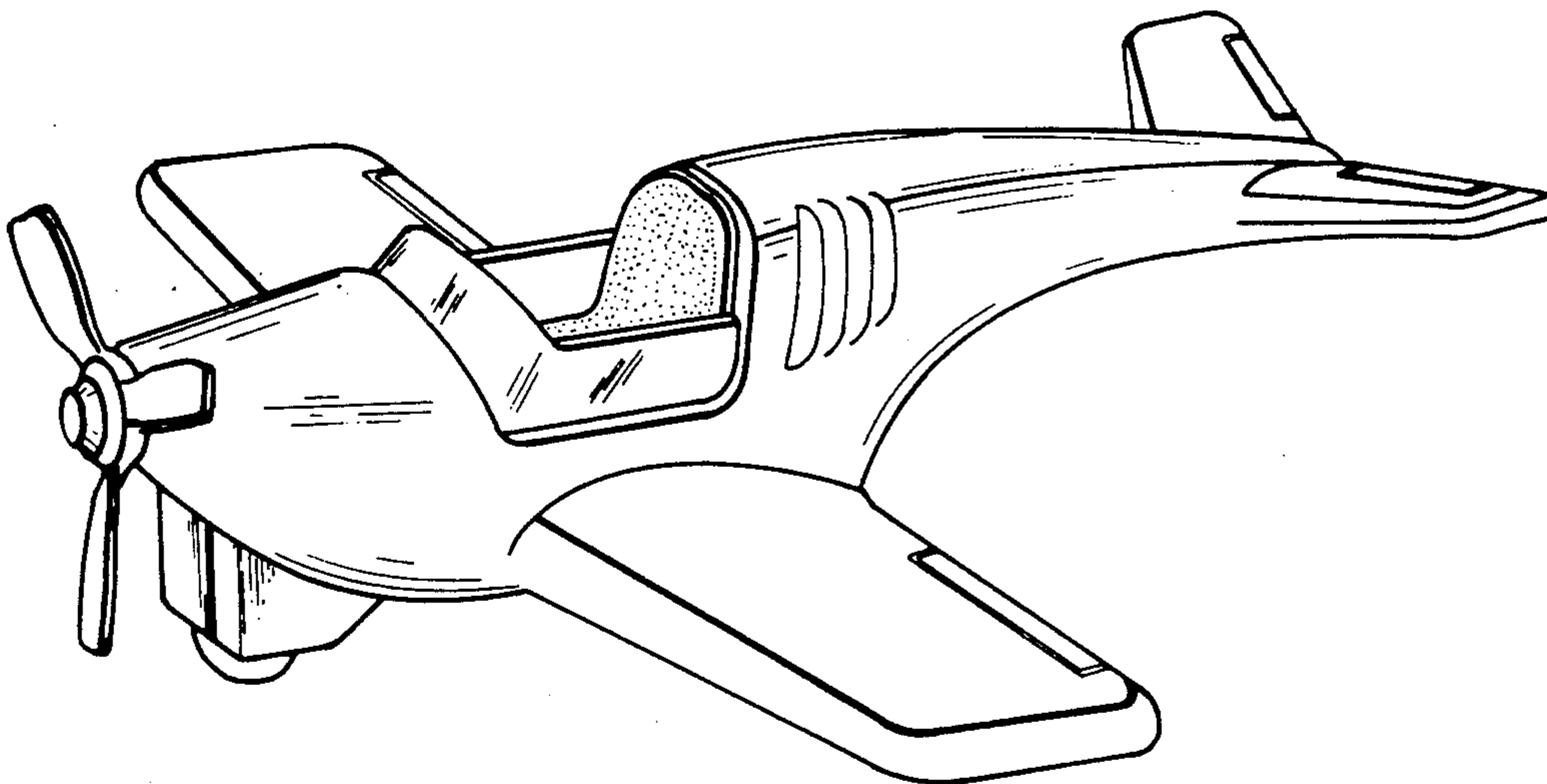
DESCRIPTION

FIG. 1 is a perspective view of a toy airplane showing my new design;

FIG. 2 is a left-side elevational view thereof;

FIG. 3 is a rear elevational view thereof; and

FIG. 4 is a bottom plan view thereof.



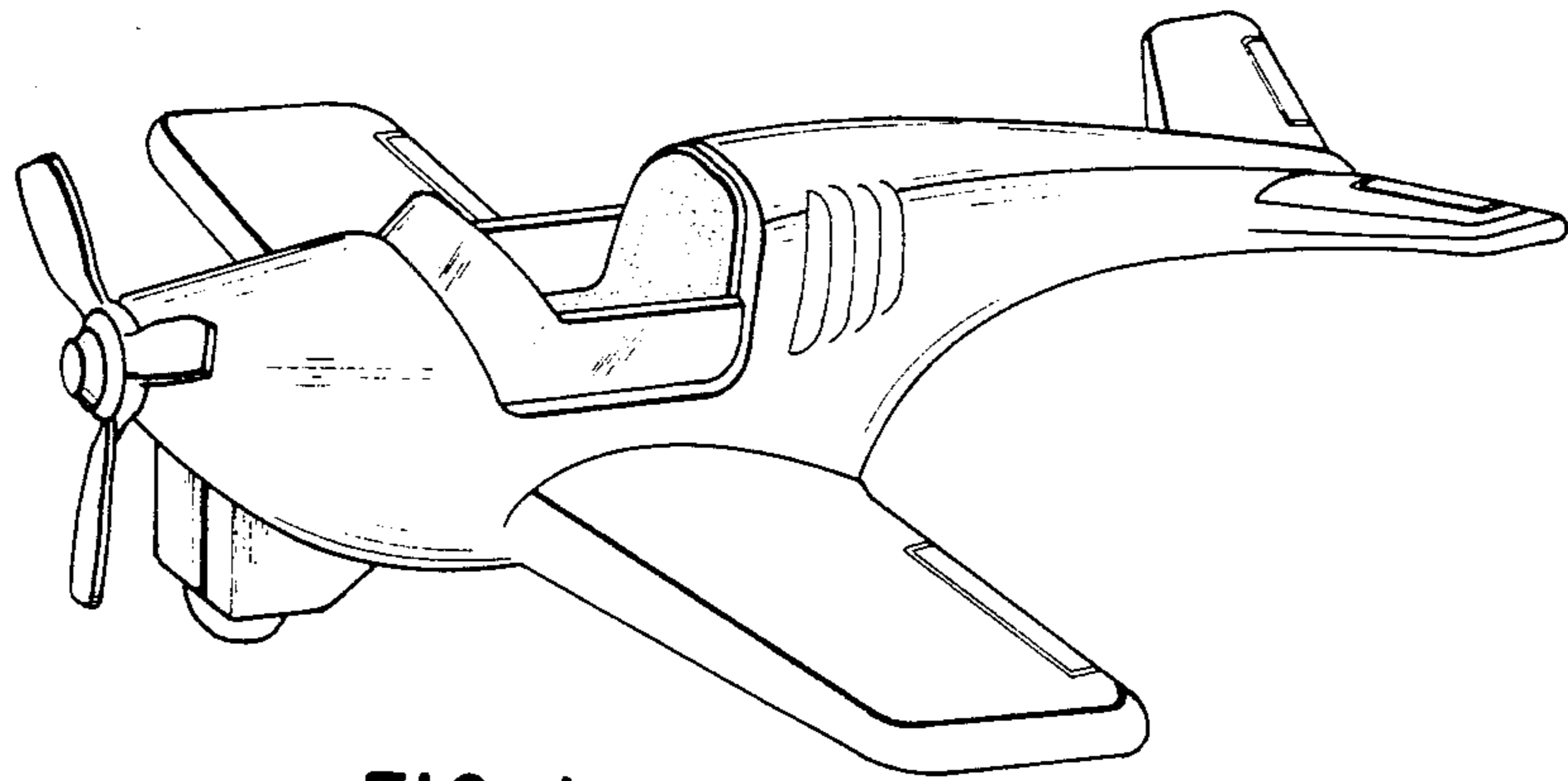


FIG. 1

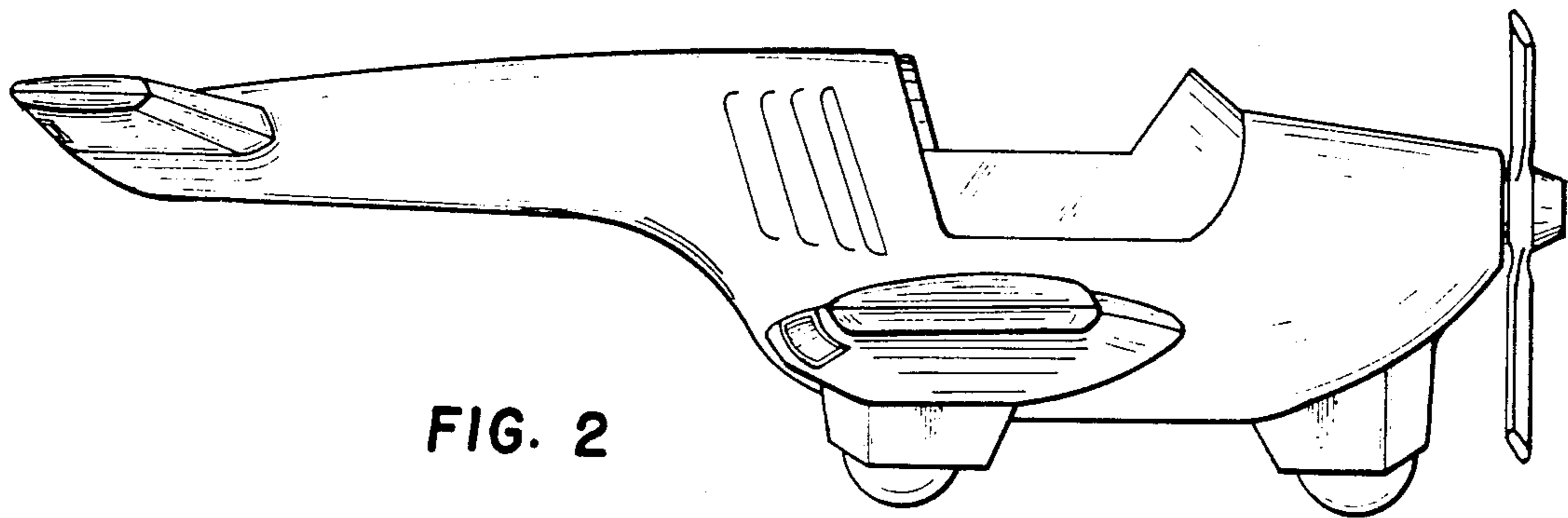


FIG. 2

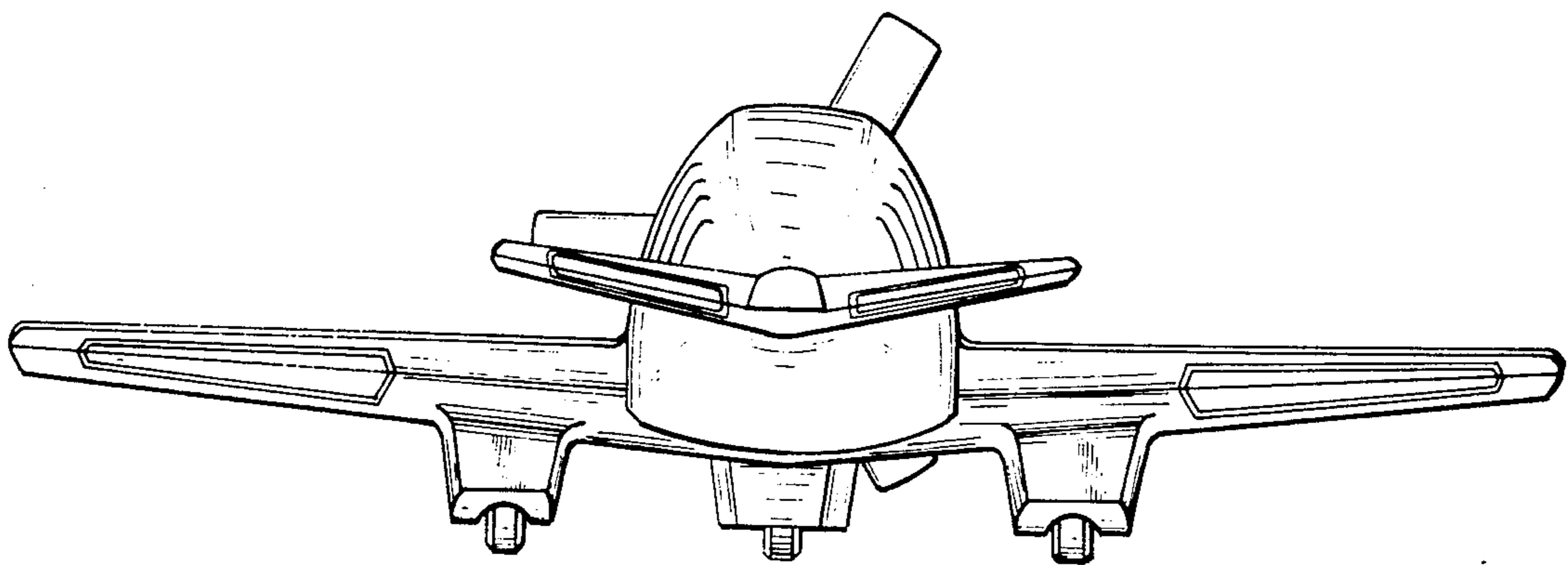
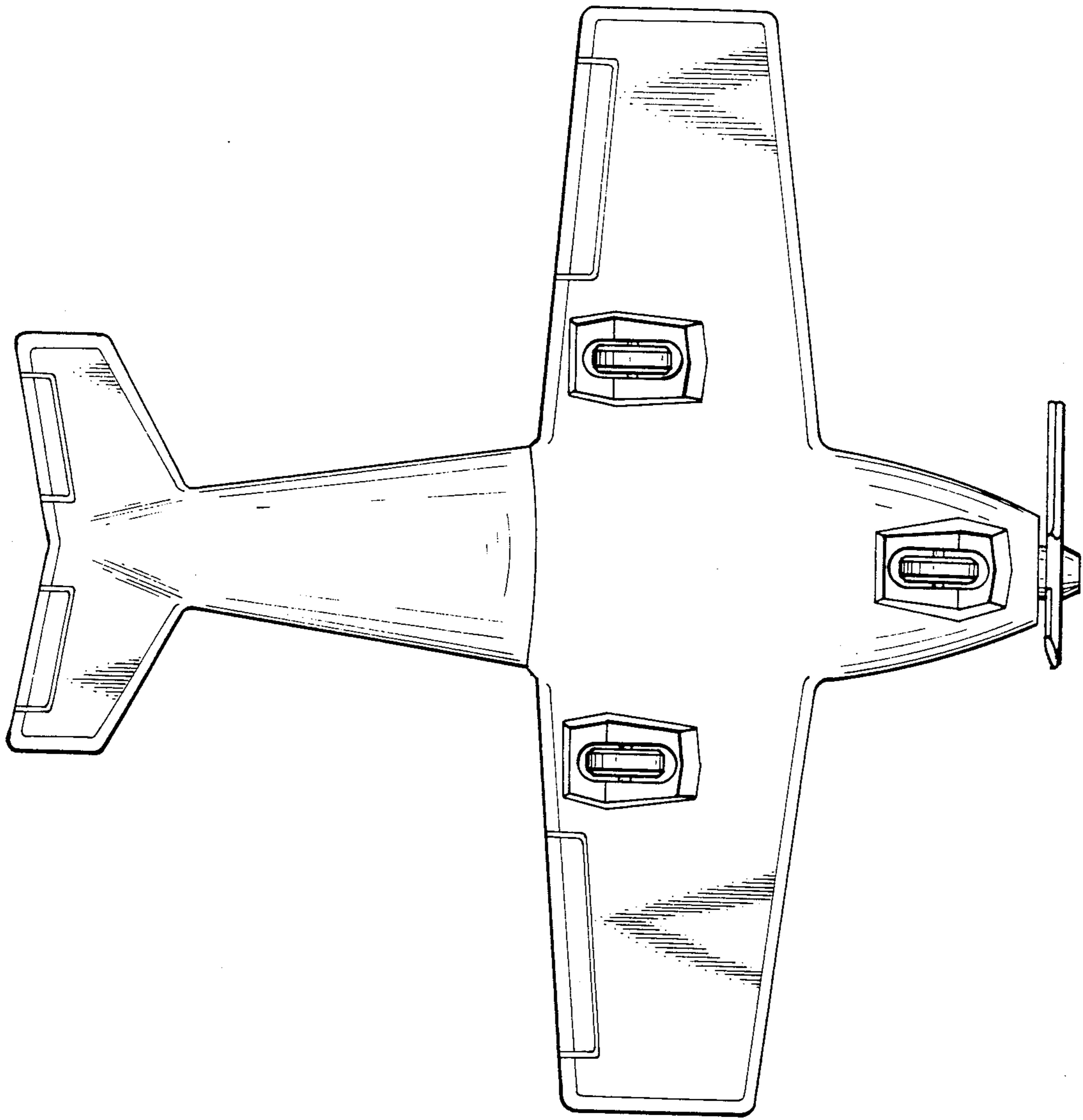


FIG. 3



**FIG. 4**