

[54] BALL THROWER

[75] Inventors: Ray A. Young; Craig A. Young, both of Geneva, N.Y.

[73] Assignee: Omnitec Products Corporation, Chagrin Falls, Ohio

[**] Term: 14 Years

[21] Appl. No.: 660,046

[22] Filed: Feb. 23, 1976

[51] Int. Cl. D21-02

[52] U.S. Cl. D34/5 R; D34/15 K

[58] Field of Search D34/15 R, 11 R, 15 K, D34/5 CT, 5 R; 273/26 R, 29 A, 35 R, 185 R, 26 D

[56]

References Cited

U.S. PATENT DOCUMENTS

D. 241,866	10/1976	Miyazaki	D34/11 R
1,080,299	12/1913	Richmond	273/100
1,252,158	1/1918	Okel	D34/15 K
2,931,131	4/1960	Morse	D34/15 K

Primary Examiner—Joel Stearman
Assistant Examiner—C. A. Rademaker
Attorney, Agent, or Firm—Vern L. Oldham

[57]

CLAIM

The ornamental design for a ball thrower, as shown.

DESCRIPTION

FIG. 1 is a front elevational view of a ball thrower showing our new design;

FIG. 2 is a top plan view thereof;

FIG. 3 is a left side elevational view thereof;

FIG. 4 is a right side elevational view thereof;

FIG. 5 is a top plan view thereof; and

FIG. 6 is a cross-sectional view thereof taken along line 6-6 in FIG. 1.

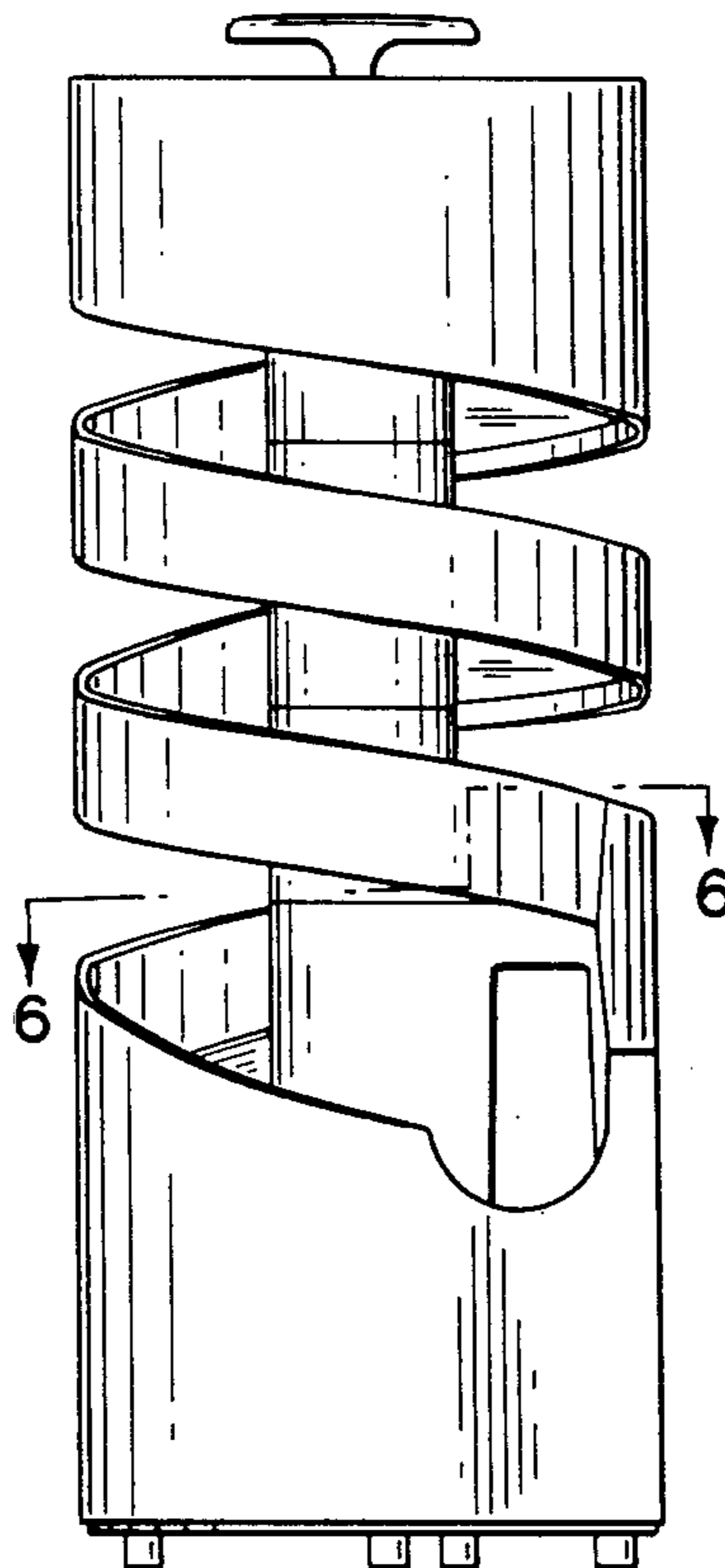


FIG. 3

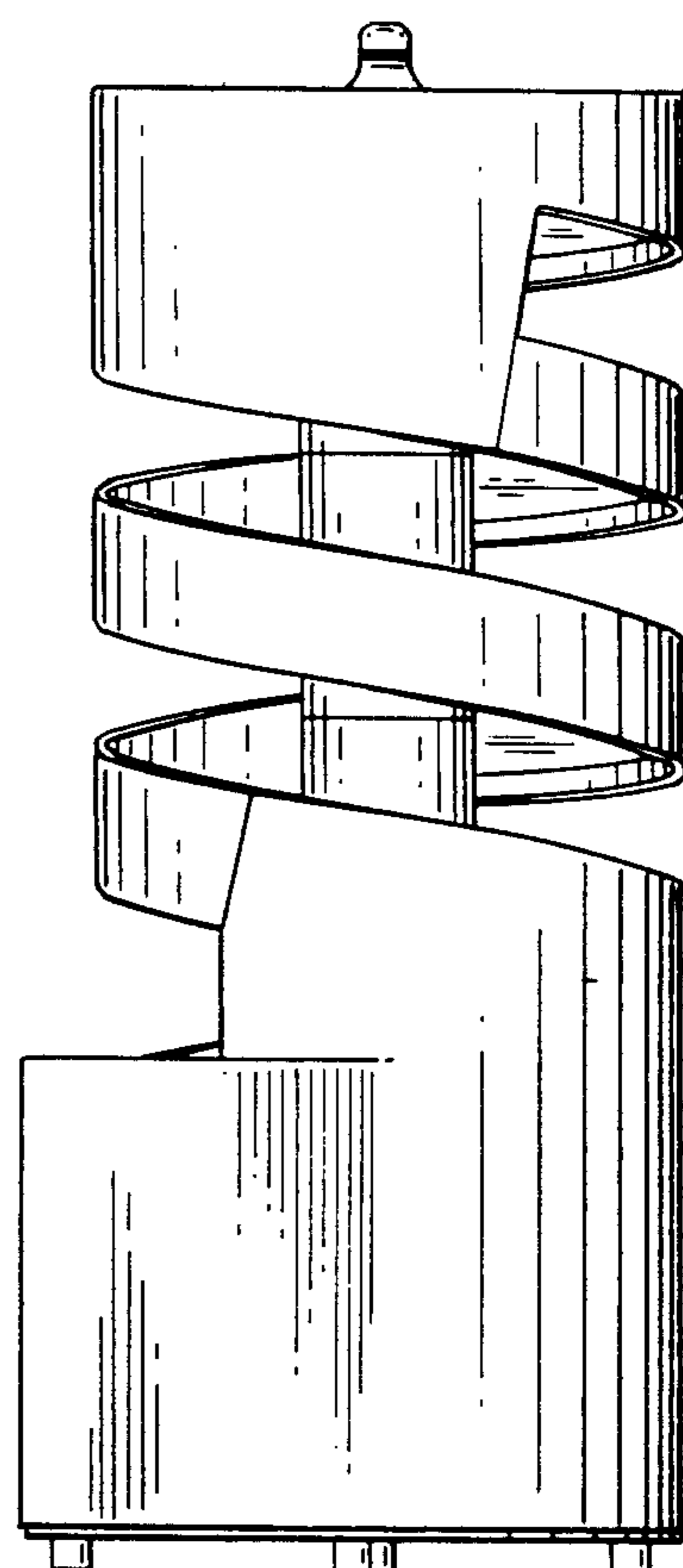
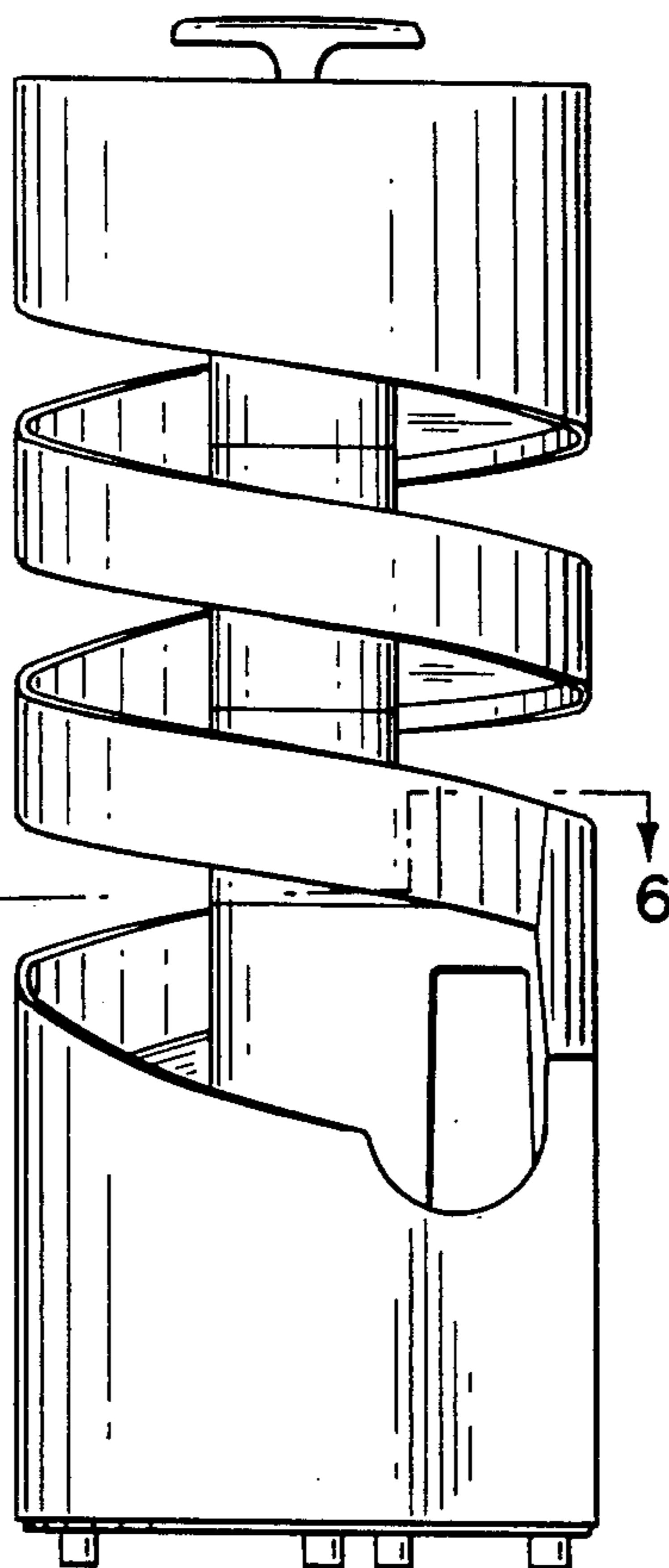
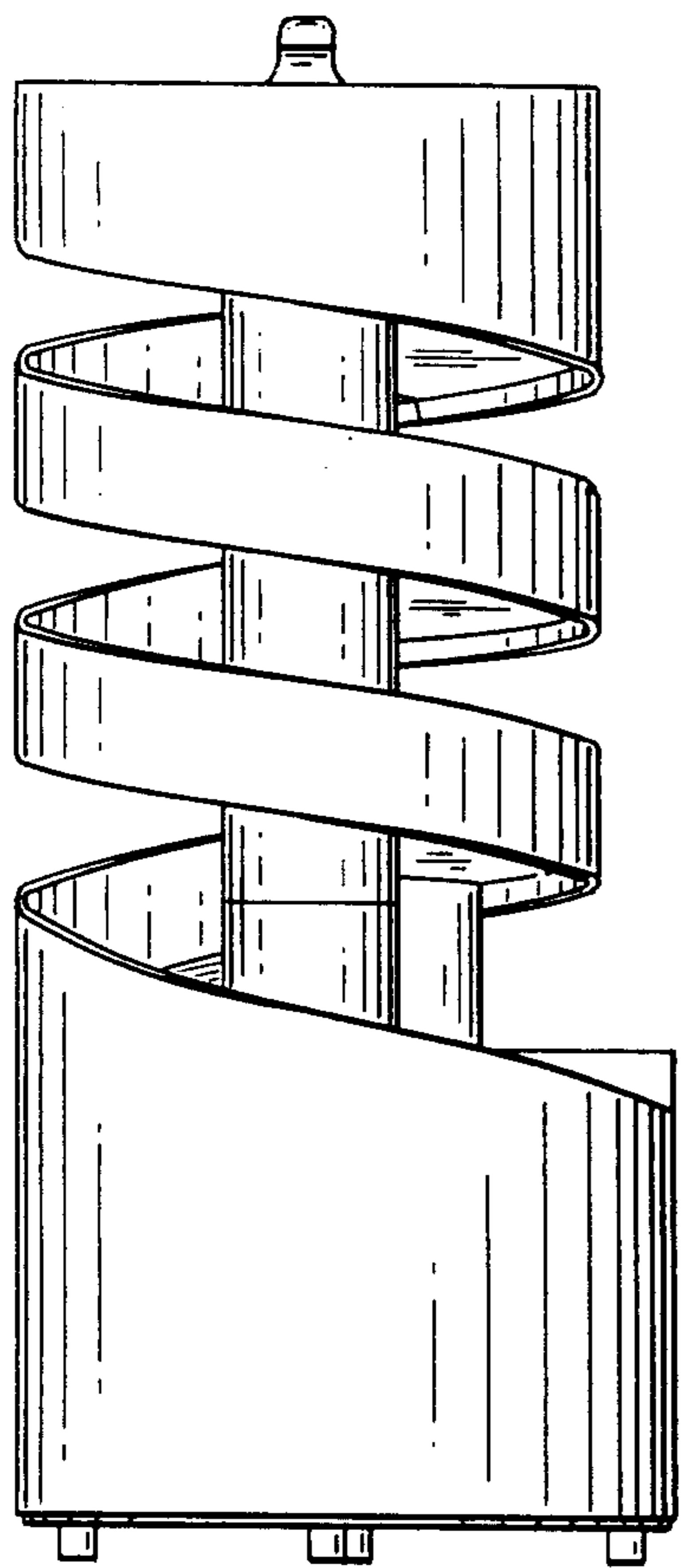


FIG. 1

FIG. 4

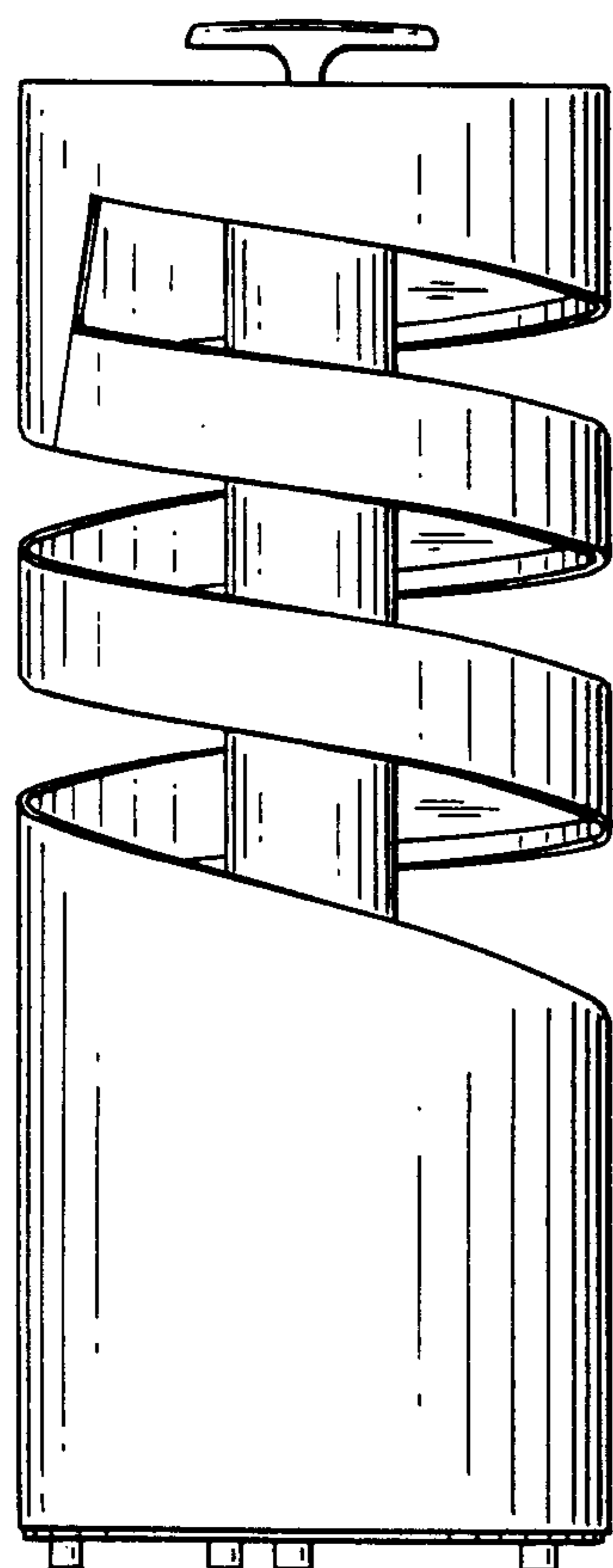


FIG. 2

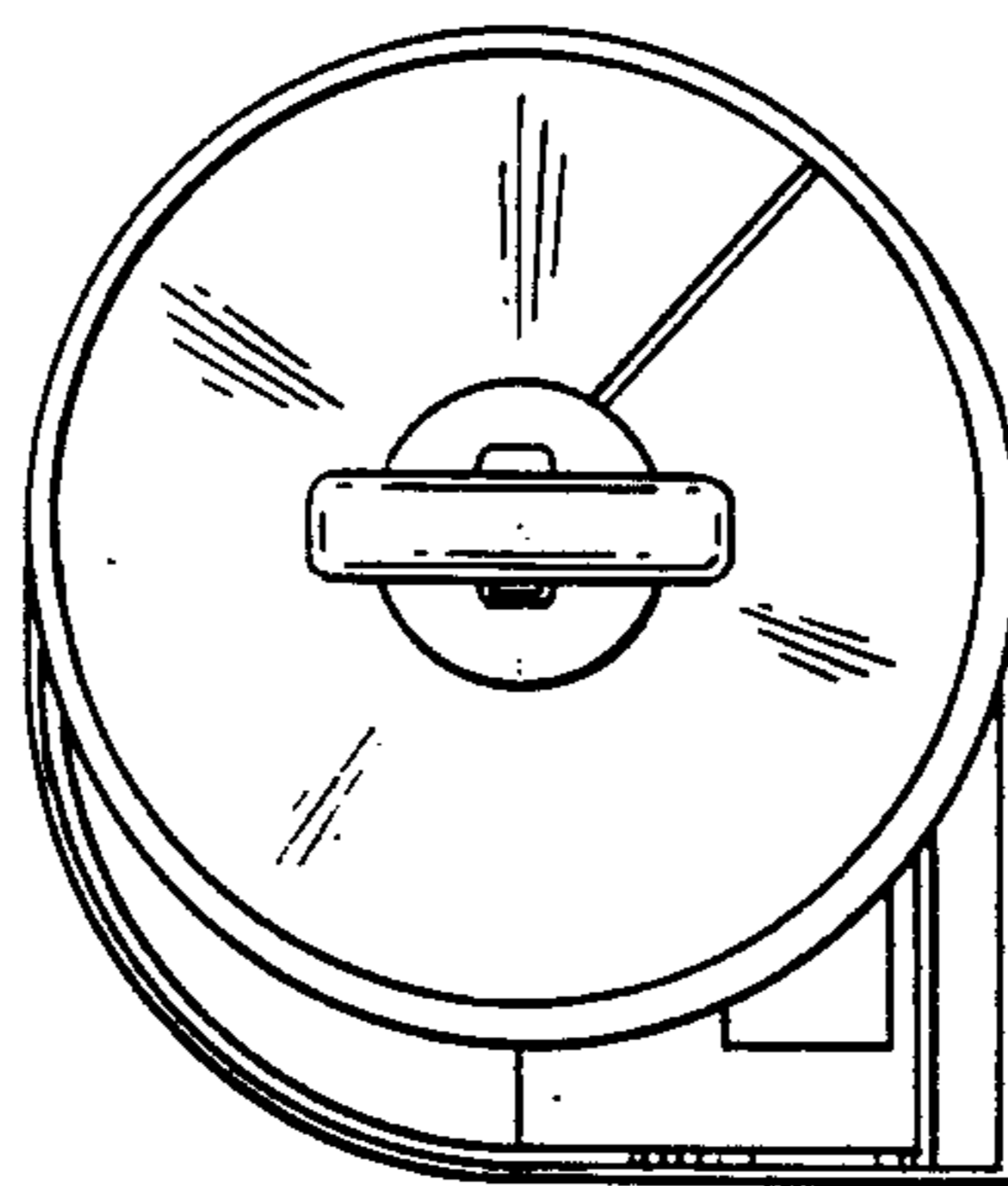


FIG. 5

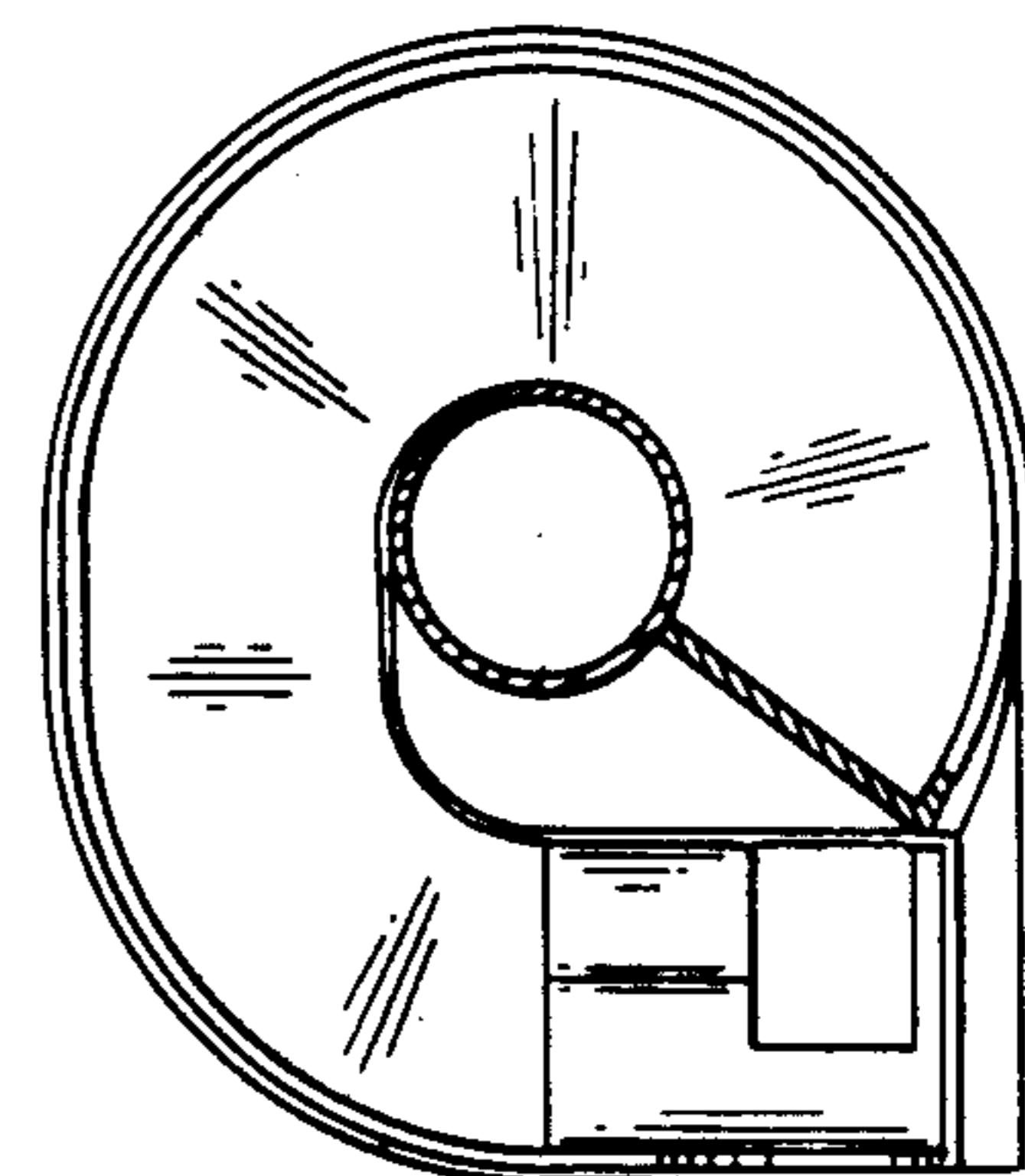


FIG. 6