

[54] EPILATION APPARATUS

[75] Inventor: George Holleley, Merseyside, England

[73] Assignee: Slimmaster Beauty Equipment (Sales) Limited

[**] Term: 14 Years

[21] Appl. No.: 695,343

[22] Filed: Jun. 14, 1976

[30] Foreign Application Priority Data

Dec. 17, 1975 [GB] United Kingdom 973680/75

[51] Int. Cl. D24-01

[52] U.S. Cl. D24/8; D24/17

[58] Field of Search 128/355, 303.13; D24/8, D24/17, 23, 99, 26, 27

[56]

References Cited

U.S. PATENT DOCUMENTS

D. 224,070	6/1972	Lopez et al.	D24/8
D. 229,637	12/1973	Pun	D24/17
2,417,530	3/1947	Weiser	128/303.13
2,994,324	8/1961	Lemos	128/355 X
3,470,877	10/1969	Morgan	128/355
3,834,392	9/1974	Lampman et al.	128/303.13

Primary Examiner—Bernard Ansher

Attorney, Agent, or Firm—William Anthony Drucker

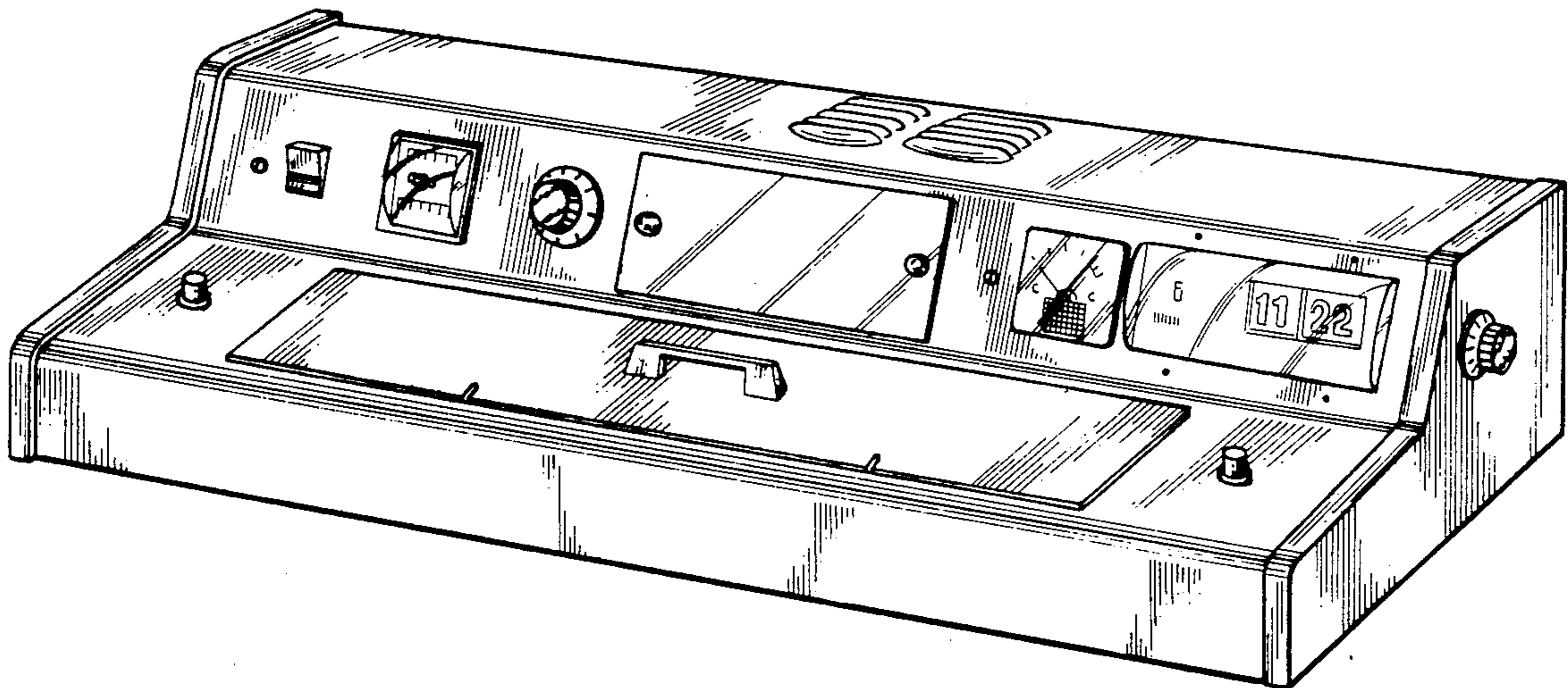
[57]

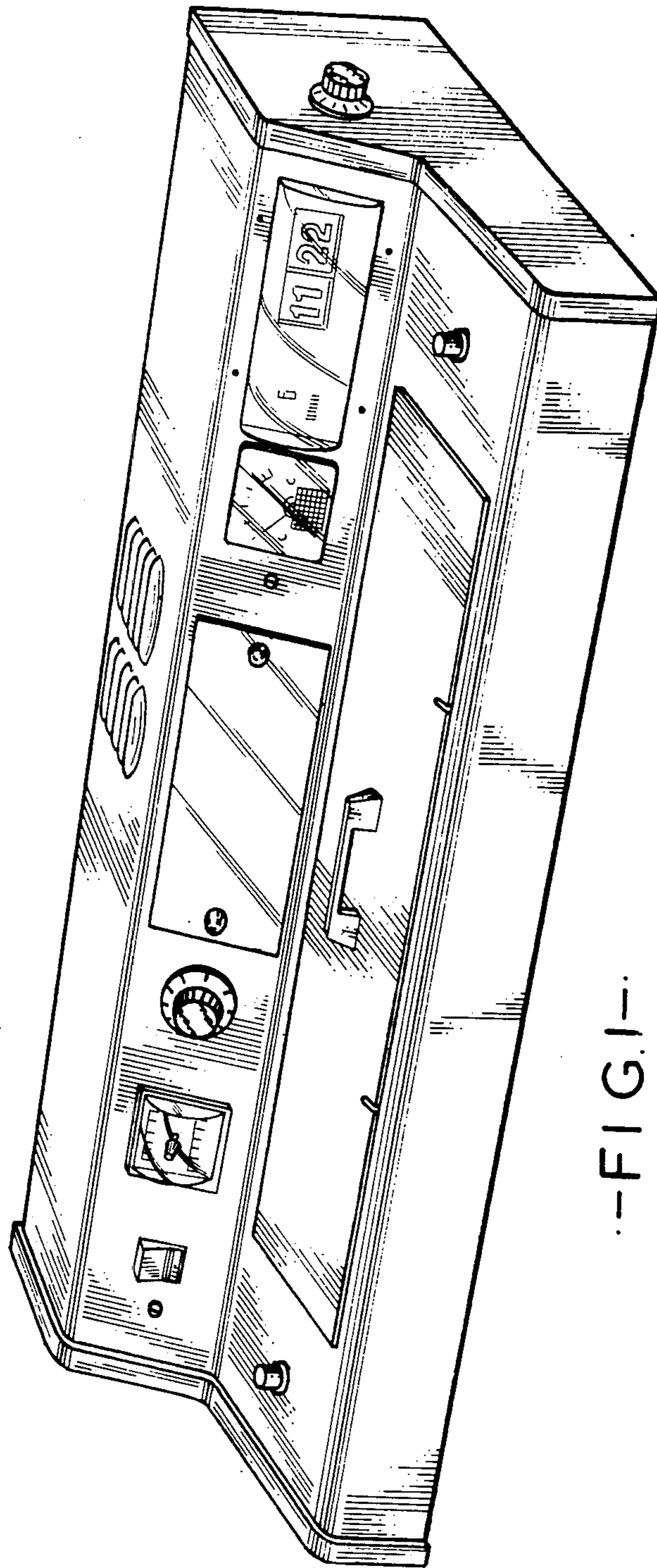
CLAIM

The ornamental design for epilation apparatus, as shown.

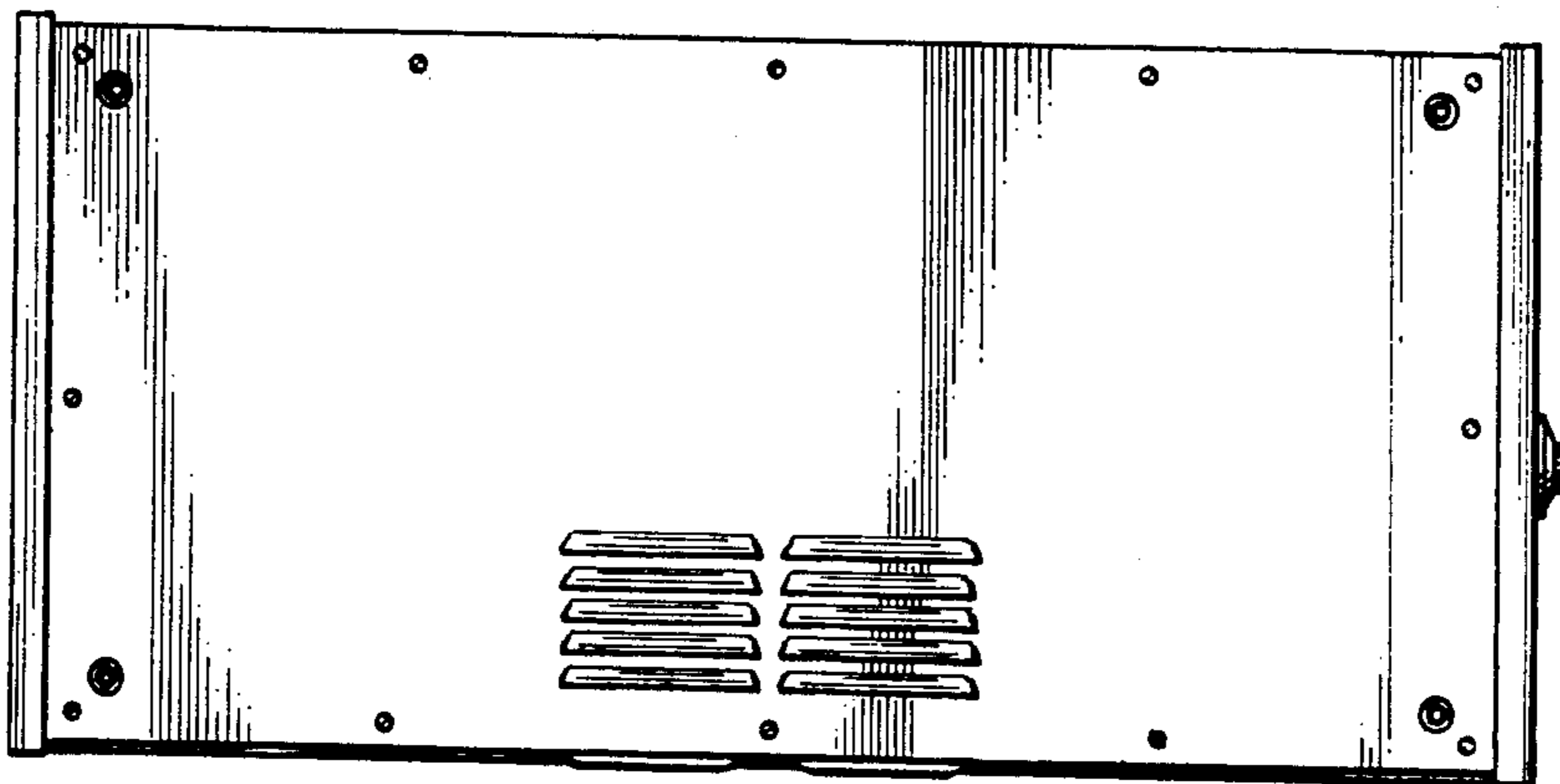
DESCRIPTION

FIG. 1 is a front perspective view of an epilation apparatus showing my new design; FIG. 2 is a bottom plan view; FIG. 3 is a rear view; and FIG. 4 is a side view.

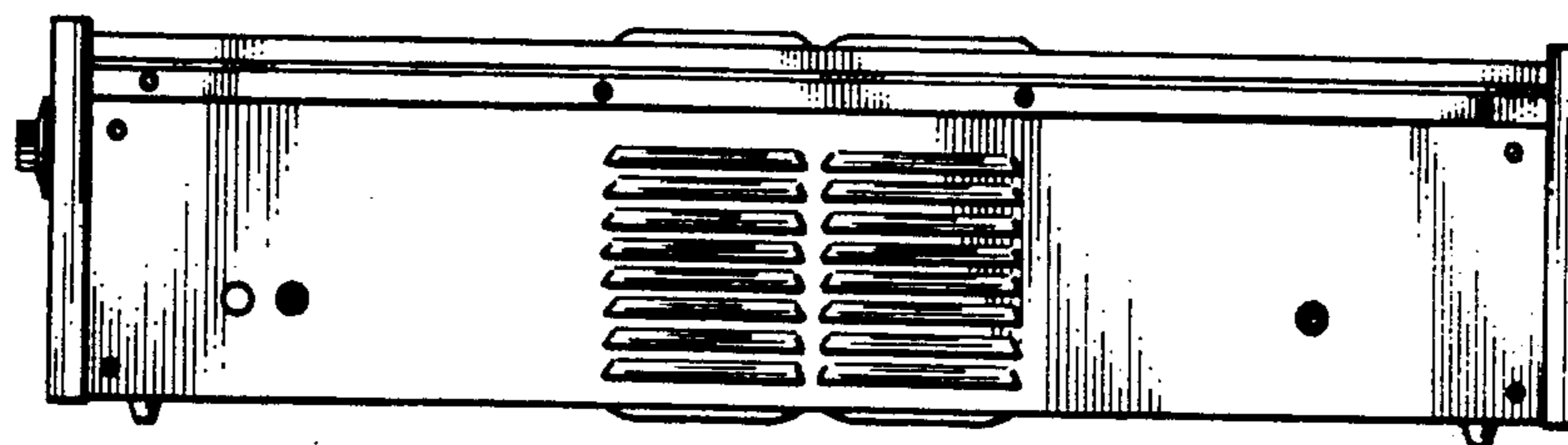




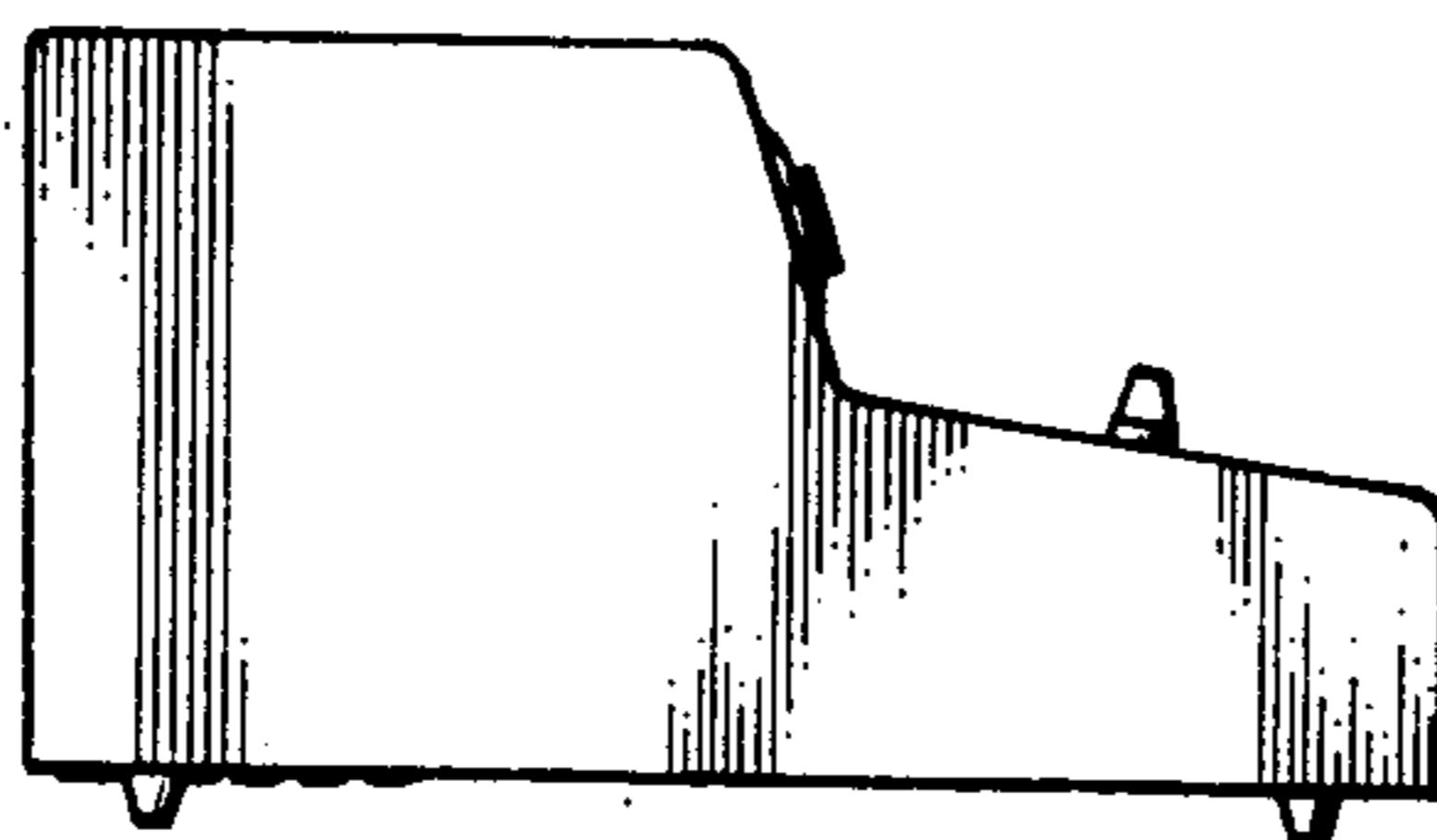
--FIG. 1--



..-FIG.2.-.



..-FIG.3.-.



..-FIG.4.-.