

[54] TISSUE CULTURE PLATE
 [75] Inventor: George F. Lyman, Weston, Mass.
 [73] Assignee: Data Packaging Corporation,
 Cambridge, Mass.
 [**] Term: 14 Years
 [21] Appl. No.: 713,421
 [22] Filed: Aug. 11, 1976
 [51] Int. Cl. D24-99
 [52] U.S. Cl. D24/23; D24/29
 [58] Field of Search D24/17, 29, 8, 30, 21,
 D24/23; 23/292, 259; 195/139, 127, 138, 133

3,563,859 2/1971 Fink 195/139
 3,616,265 10/1971 Calabrese et al. 195/139
 3,961,696 6/1976 Bowie et al. 195/139
 4,054,490 10/1977 Vesterberg 195/127

Primary Examiner—Wallace R. Burke
 Assistant Examiner—James M. Gandy
 Attorney, Agent, or Firm—George L. Greenfield

[57] CLAIM

The ornamental design for a tissue culture plate, as shown.

DESCRIPTION

FIG. 1 is a perspective view of the tissue culture plate showing my design;
 FIG. 2 is a side elevation view thereof;
 FIG. 3 is a greatly enlarged fragmentary sectional view thereof taken along line 3—3 in FIG. 1; and
 FIG. 4 is an enlarged end elevation view thereof.

[56] References Cited
 U.S. PATENT DOCUMENTS
 D. 32,481 4/1900 Berger D24/23

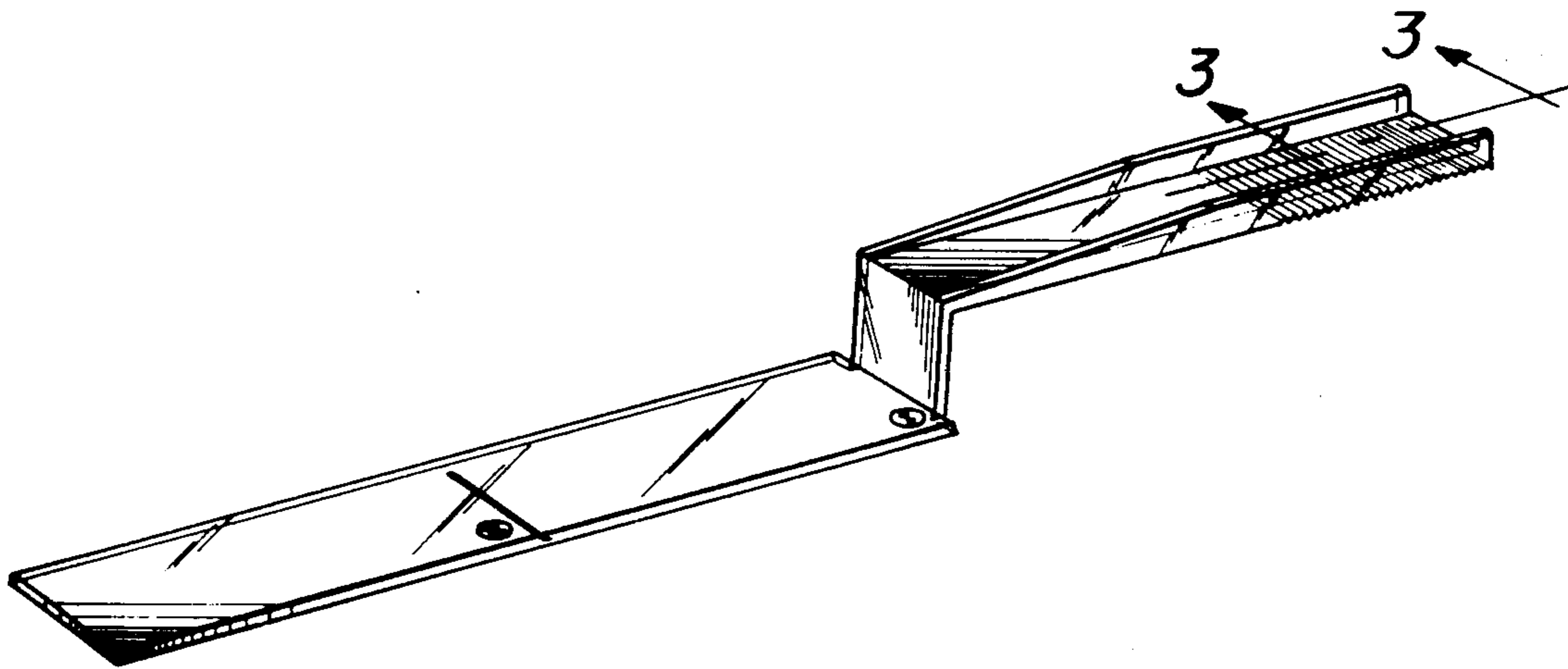


Fig. 1

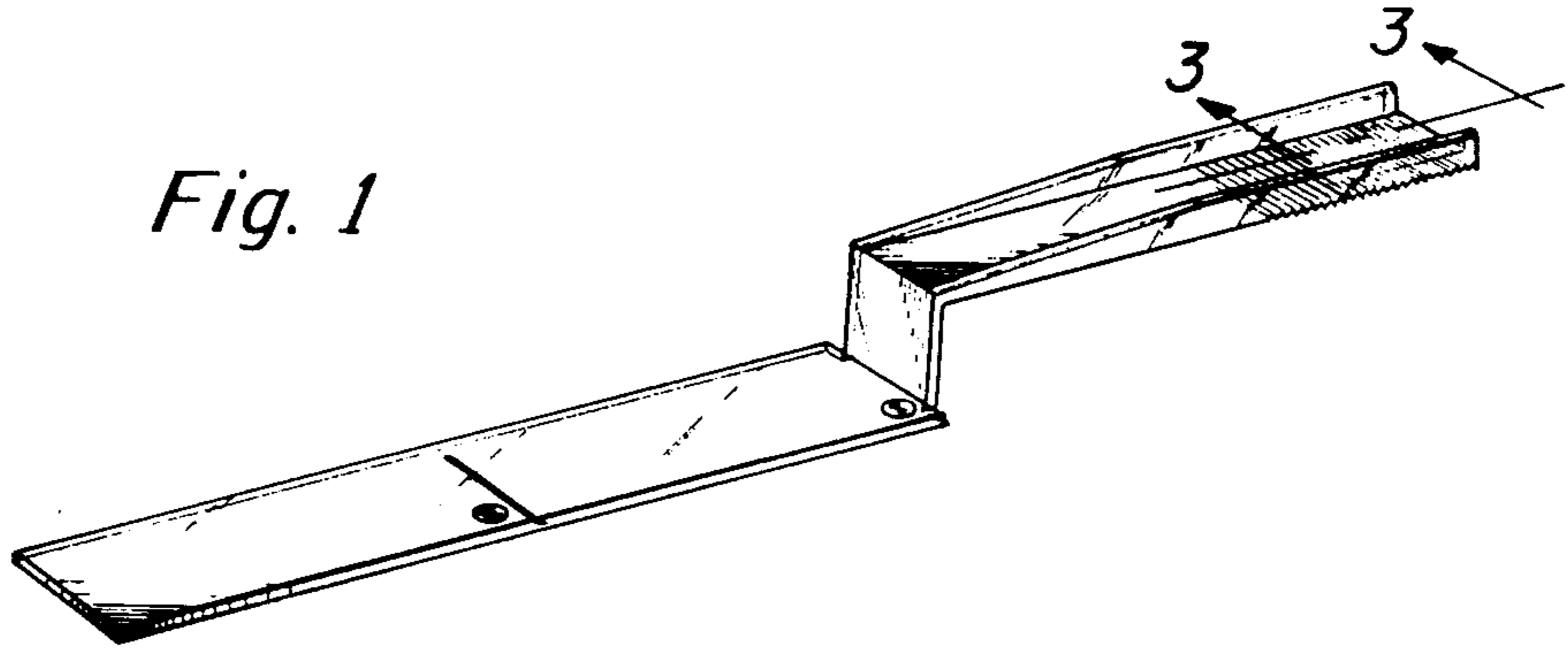


Fig. 2

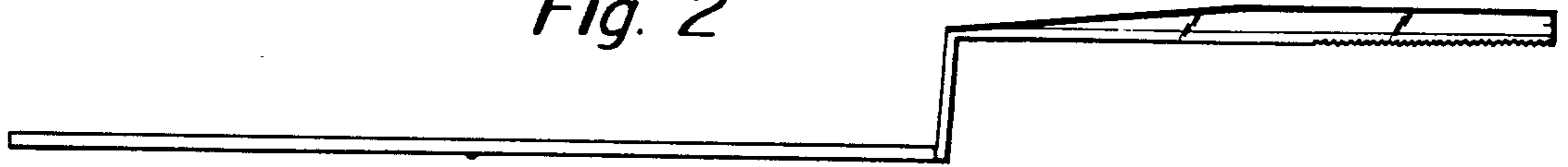


Fig. 3

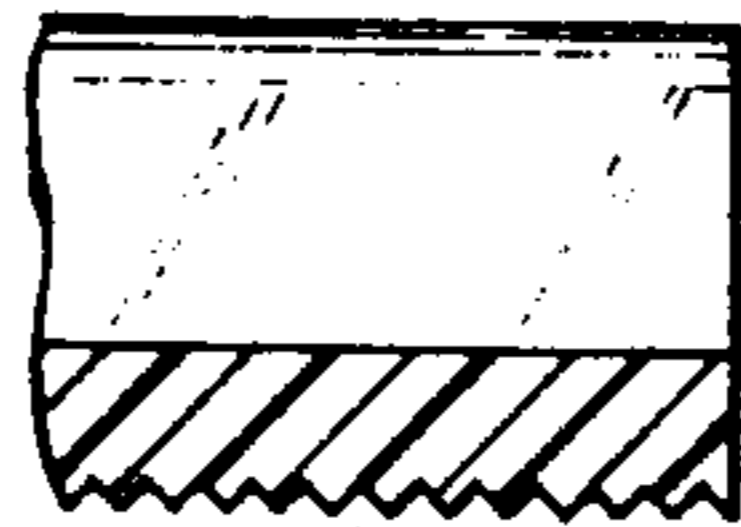


Fig. 4

