

[54] APPARATUS FOR DRAINING AND
FLUSHING A LIQUID CHEMICAL FROM A
CONTAINER

[76] Inventor: **W. Dewell Hollingsworth**, Industrial
Park Road, Boone, Iowa 50036

[**] Term: **14 Years**

[21] Appl. No.: **768,440**

[22] Filed: **Feb. 14, 1977**

[51] Int. Cl. **D23-01**

[52] U.S. Cl. **D23/03**

[58] Field of Search **D15/7, 34; D23/3;**
222/80, 81, 82, 87; 239/302, 309, 310, 379;
137/268, 240

[56] **References Cited**

U.S. PATENT DOCUMENTS

3,993,221 11/1976 Boynton et al. 239/309 X

Primary Examiner—Wallace R. Burke
Assistant Examiner—Catherine Kemper
Attorney, Agent, or Firm—Rudolph L. Lowell

[57] **CLAIM**

The ornamental design for a apparatus for draining and flushing a liquid chemical from a container, substantially as shown and described.

DESCRIPTION

FIG. 1 is a side perspective view of an apparatus for draining and flushing a liquid chemical from a container showing my new design;

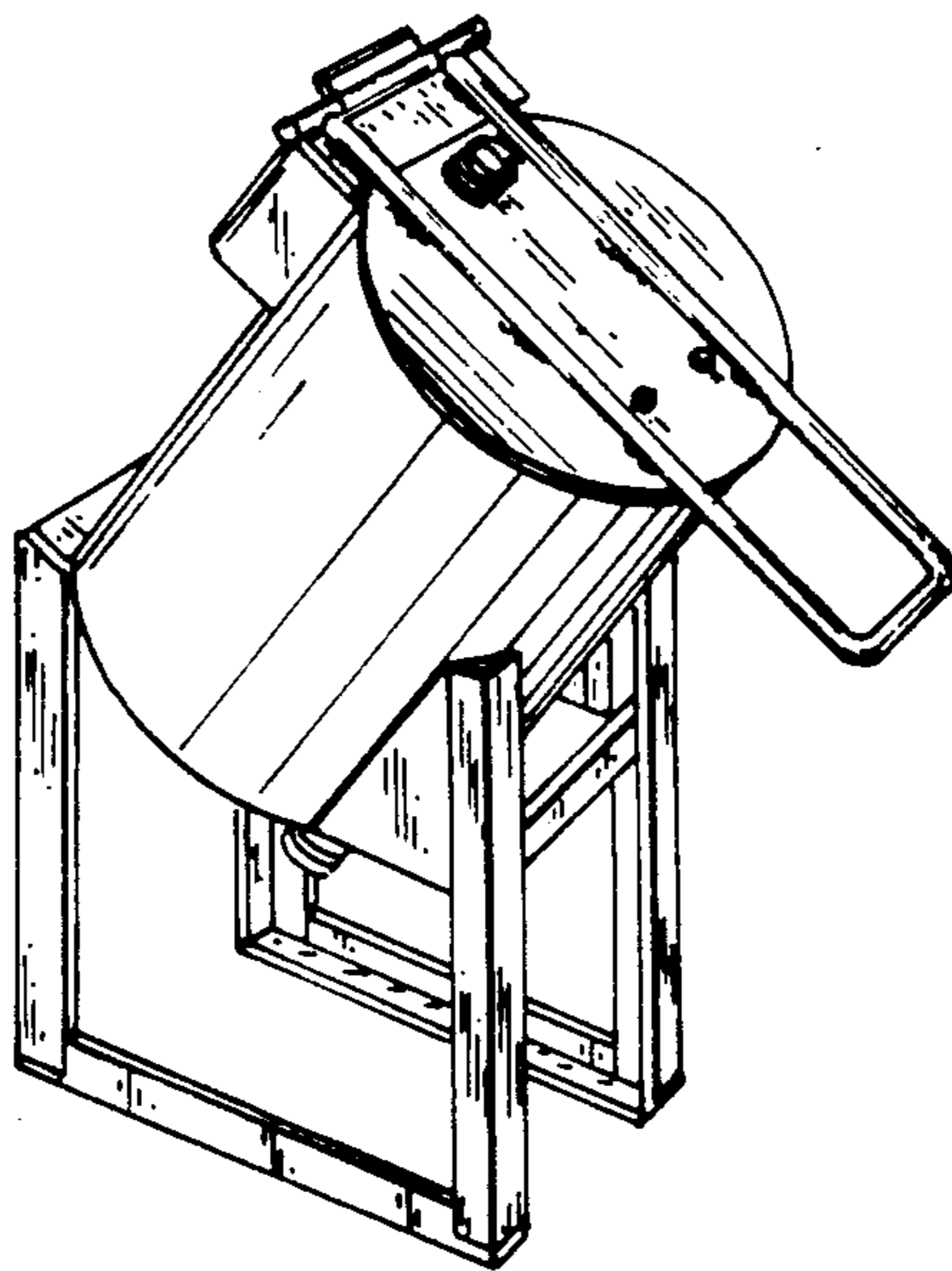
FIG. 2 is an enlarged top plan view thereof;

FIG. 3 is an elevational view looking at the side of the apparatus opposite the side shown in FIG. 1;

FIG. 4 is a front view thereof;

FIG. 5 is a rear view thereof; and

FIG. 6 is a bottom plan view thereof.



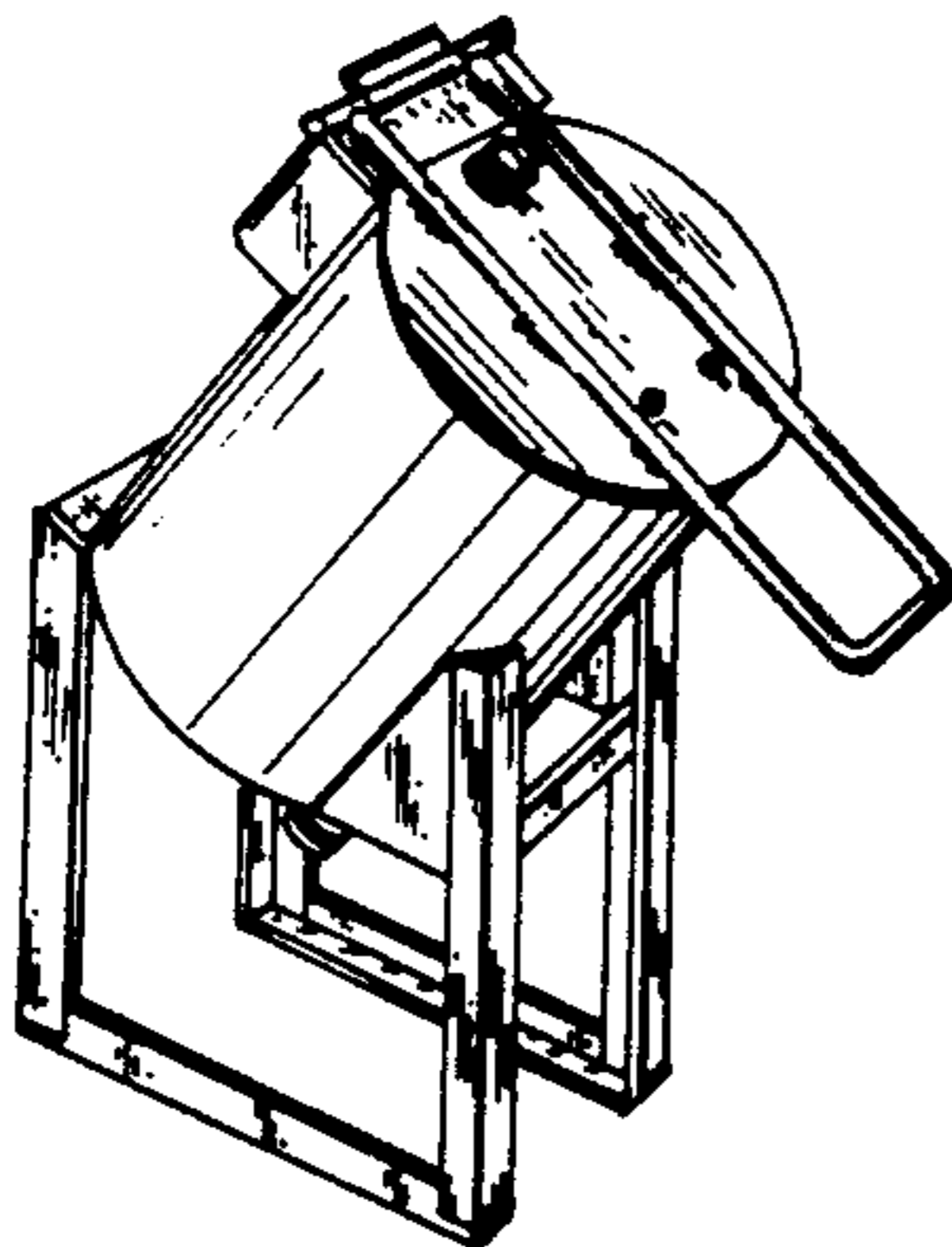


Fig. 1

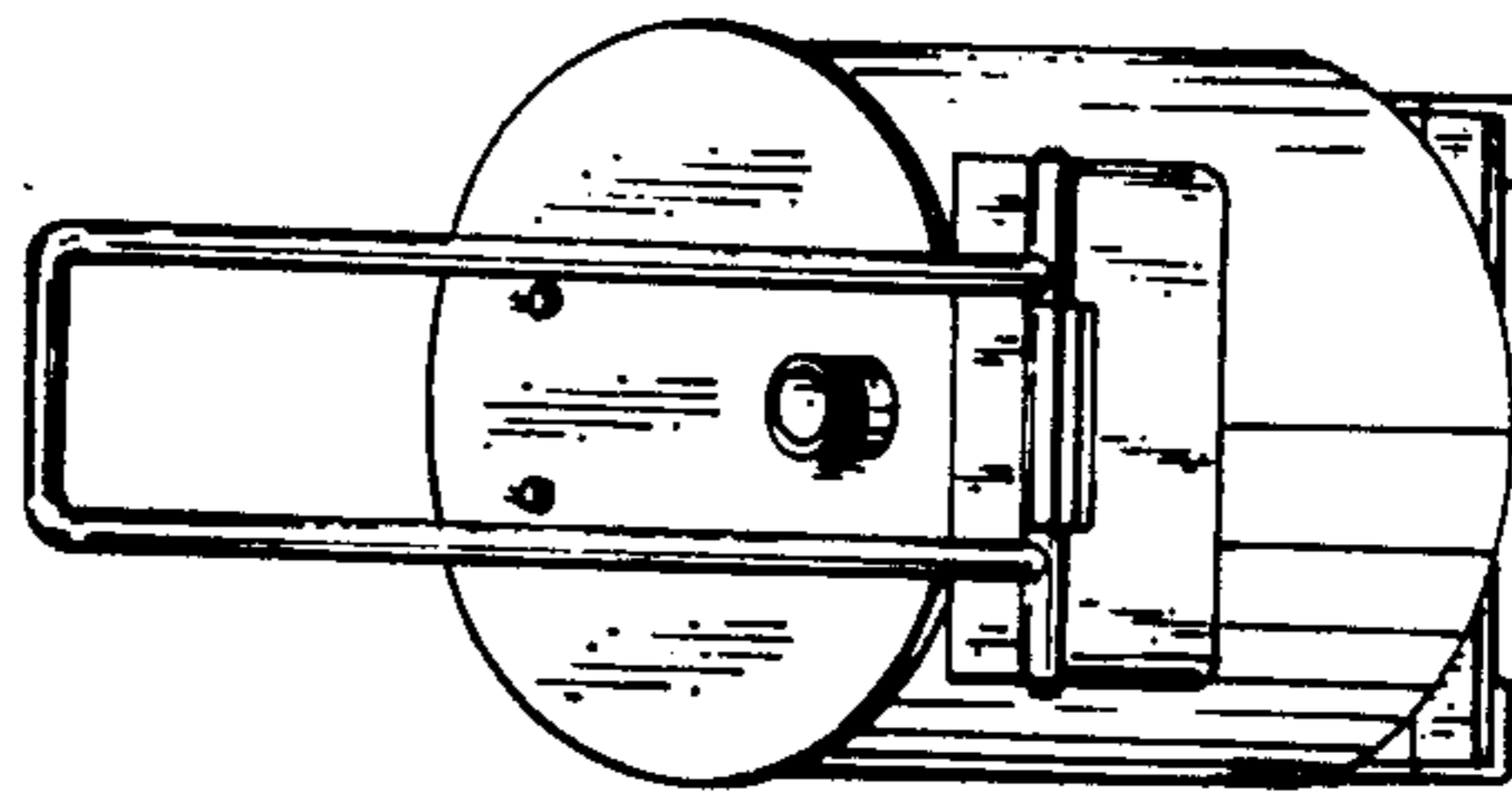


Fig. 2

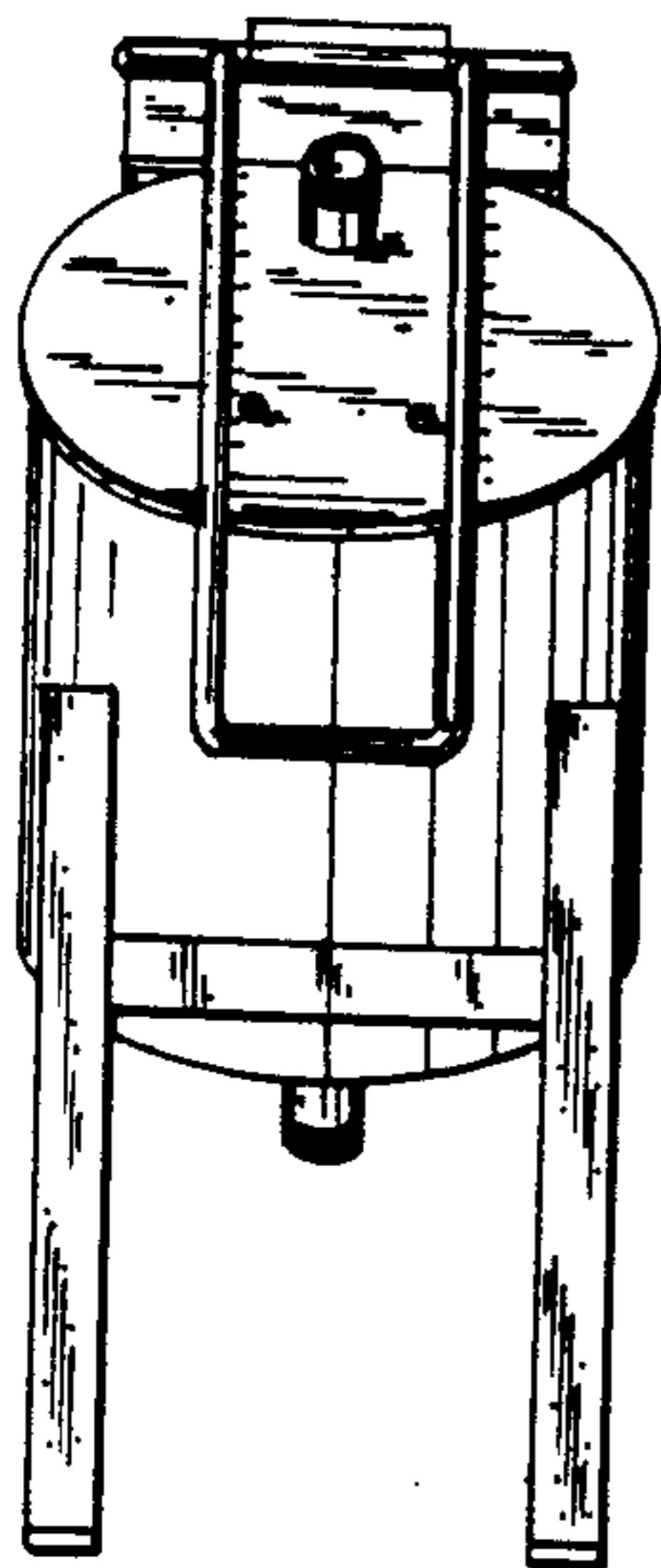


Fig. 4

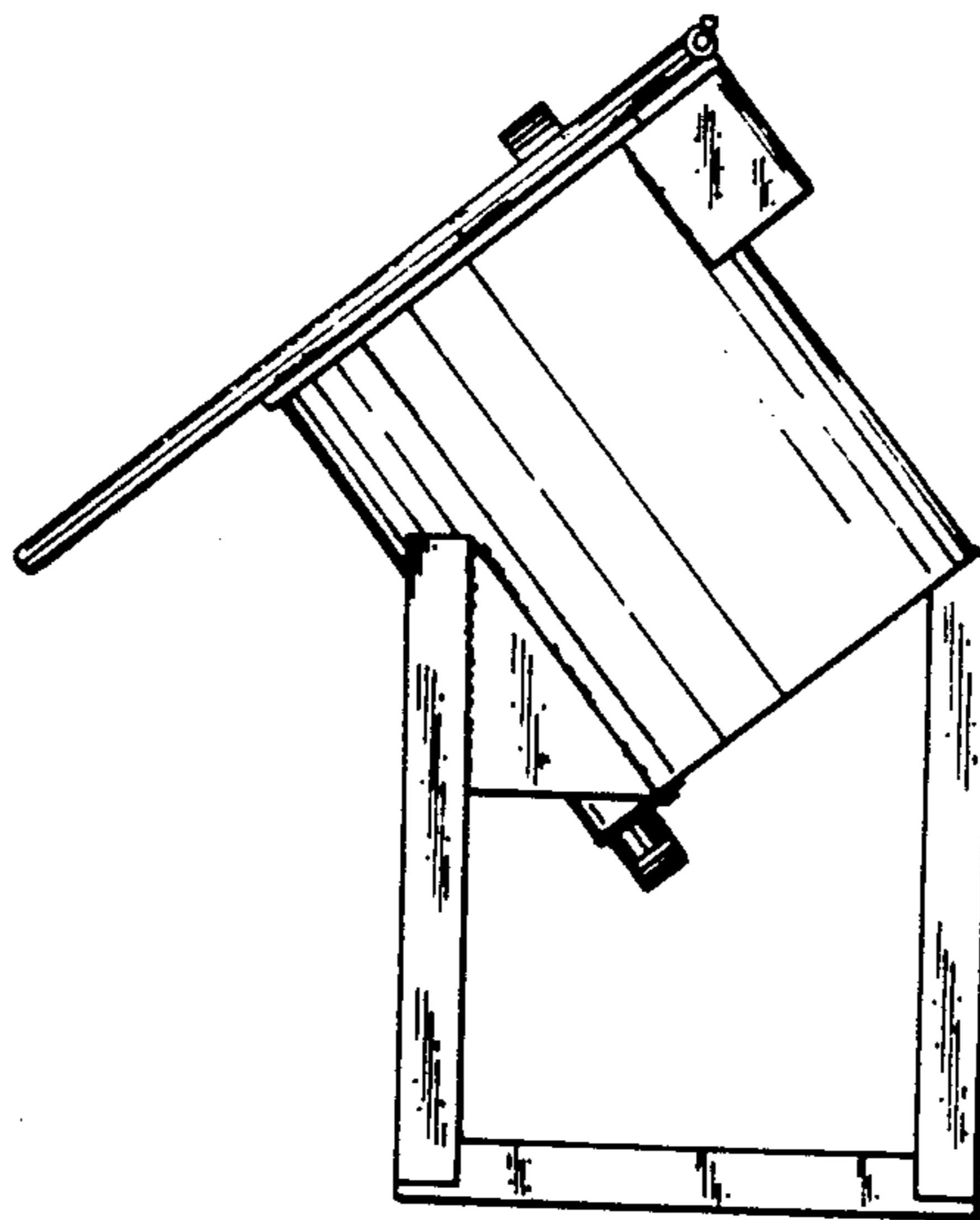


Fig. 3

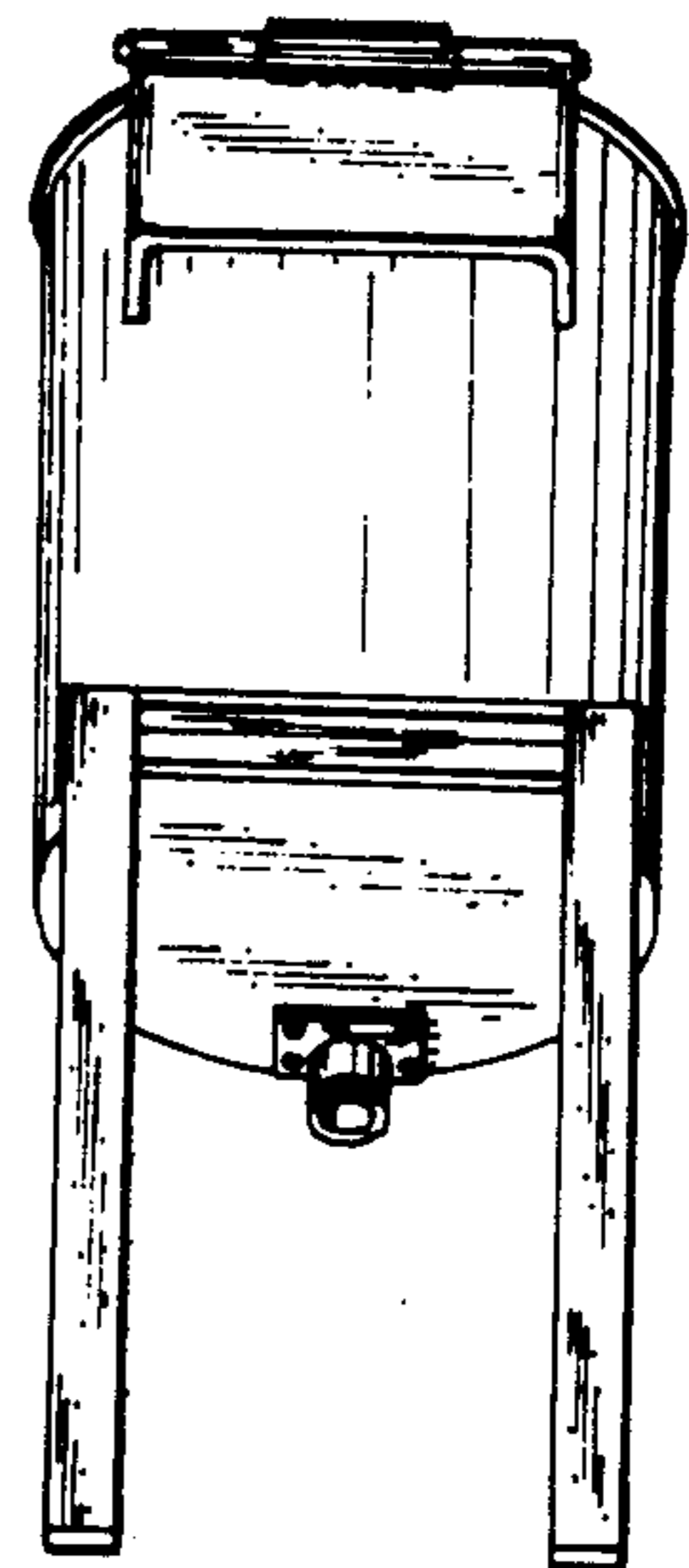


Fig. 5

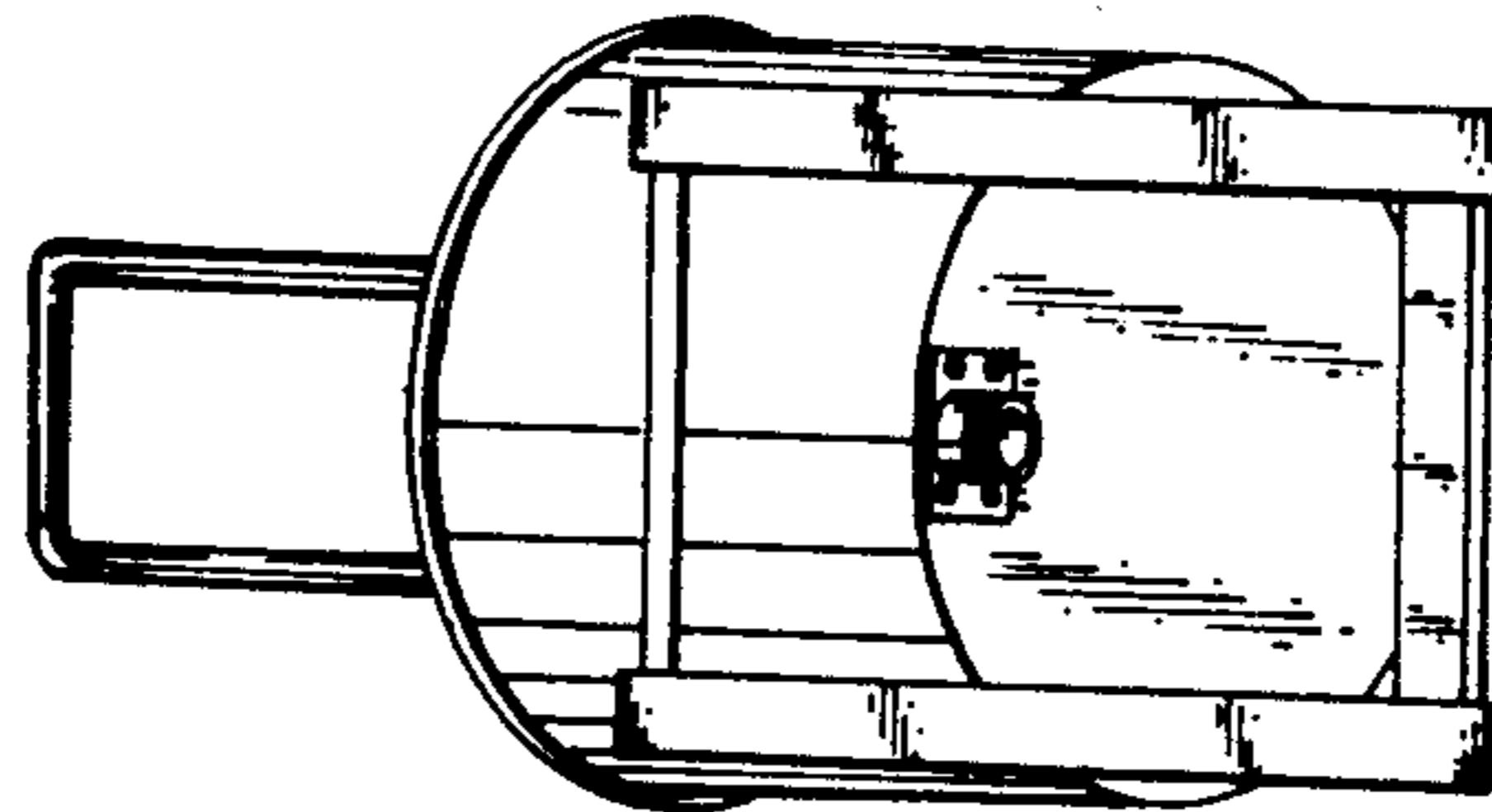


Fig. 6