

[54] **FLASH DIFFUSER** 3,878,385 4/1975 Kingston 240/1.3

[75] Inventors: **Al Tureck, Skokie, Ill.; Edward R. Farber, Delafield, Wis.**

[73] Assignee: **Sima Products Corporation, Skokie, Ill.**

[**] Term: **14 Years**

[21] Appl. No.: **722,657**

[22] Filed: **Sep. 13, 1976**

[51] Int. Cl. **D16-05**

[52] U.S. Cl. **D16/38**

[58] Field of Search **D16/6, 38, 42; D48/16 A, 16 D; 240/1.3, 46.01, 46.03, 46.19, 106 R, 106.1**

Primary Examiner—Wallace R. Burke
Assistant Examiner—Catherine Kemper
Attorney, Agent, or Firm—Irwin C. Alter

[57] **CLAIM**

The ornamental design for a flash diffuser, as shown and described.

DESCRIPTION

FIG. 1 is a perspective view of a flash diffuser, showing our new design;

FIG. 2 is a front elevational view thereof shown on a smaller scale;

FIG. 3 is a top plan view, the bottom plan view being identical thereto;

FIG. 4 is a rear elevation view thereof;

FIG. 5 is a side elevational view thereof;

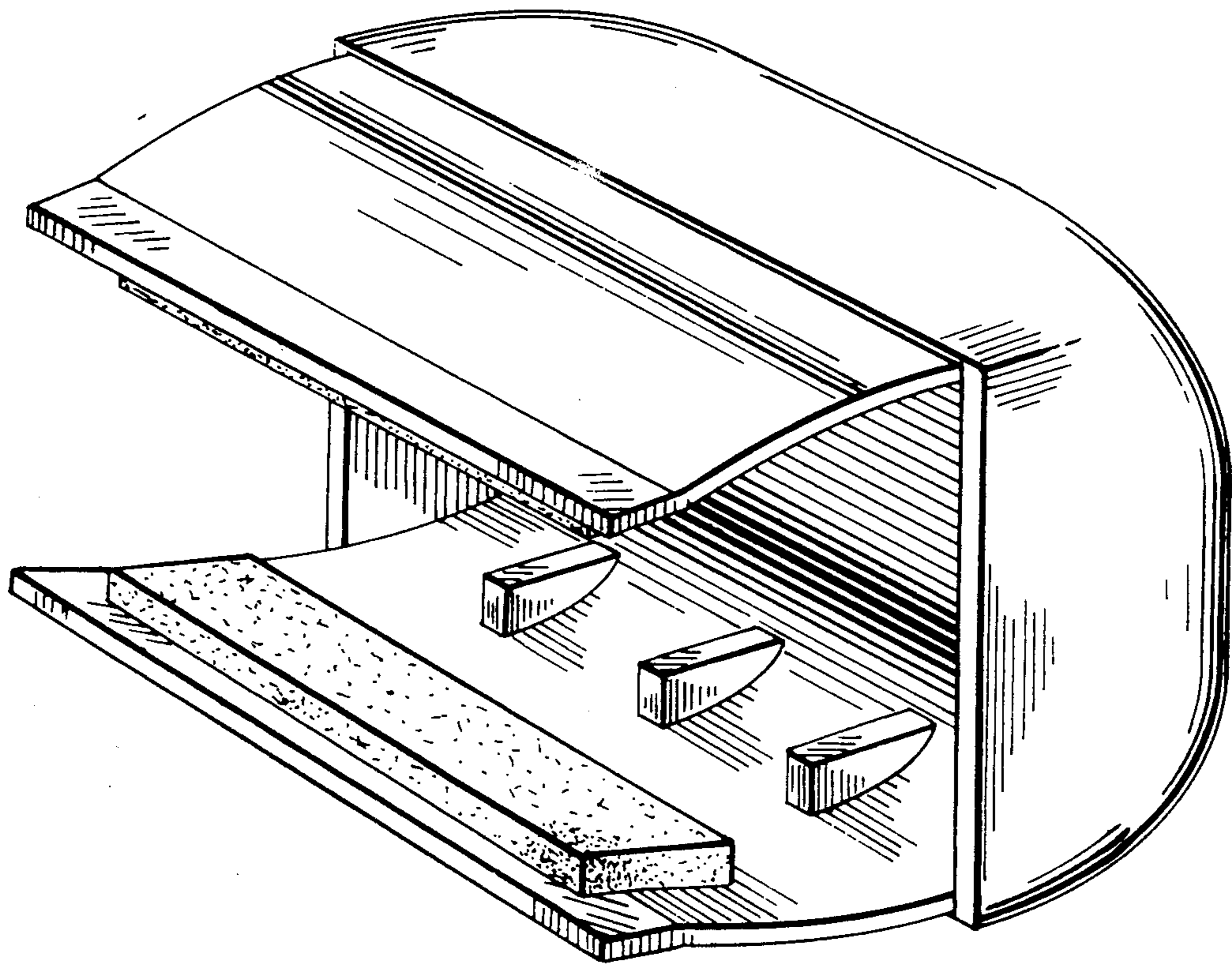
FIG. 6 is a perspective view of a second embodiment thereof, the only difference residing in the use of a smooth interior surface;

FIG. 7 is a rear elevational view of said second embodiment; and

FIG. 8 is a side elevational view of said second embodiment.

[56] **References Cited**
U.S. PATENT DOCUMENTS

D. 190,759	6/1961	Schreckengost	D48/16 A
D. 218,363	8/1970	Conner et al.	D16/38
3,140,055	7/1964	Long	240/46.19
3,386,360	6/1968	Nerwin	240/1.3 X
3,860,812	1/1975	Schneider	240/1.3 X
3,868,182	2/1975	Kidd	240/1.3 X



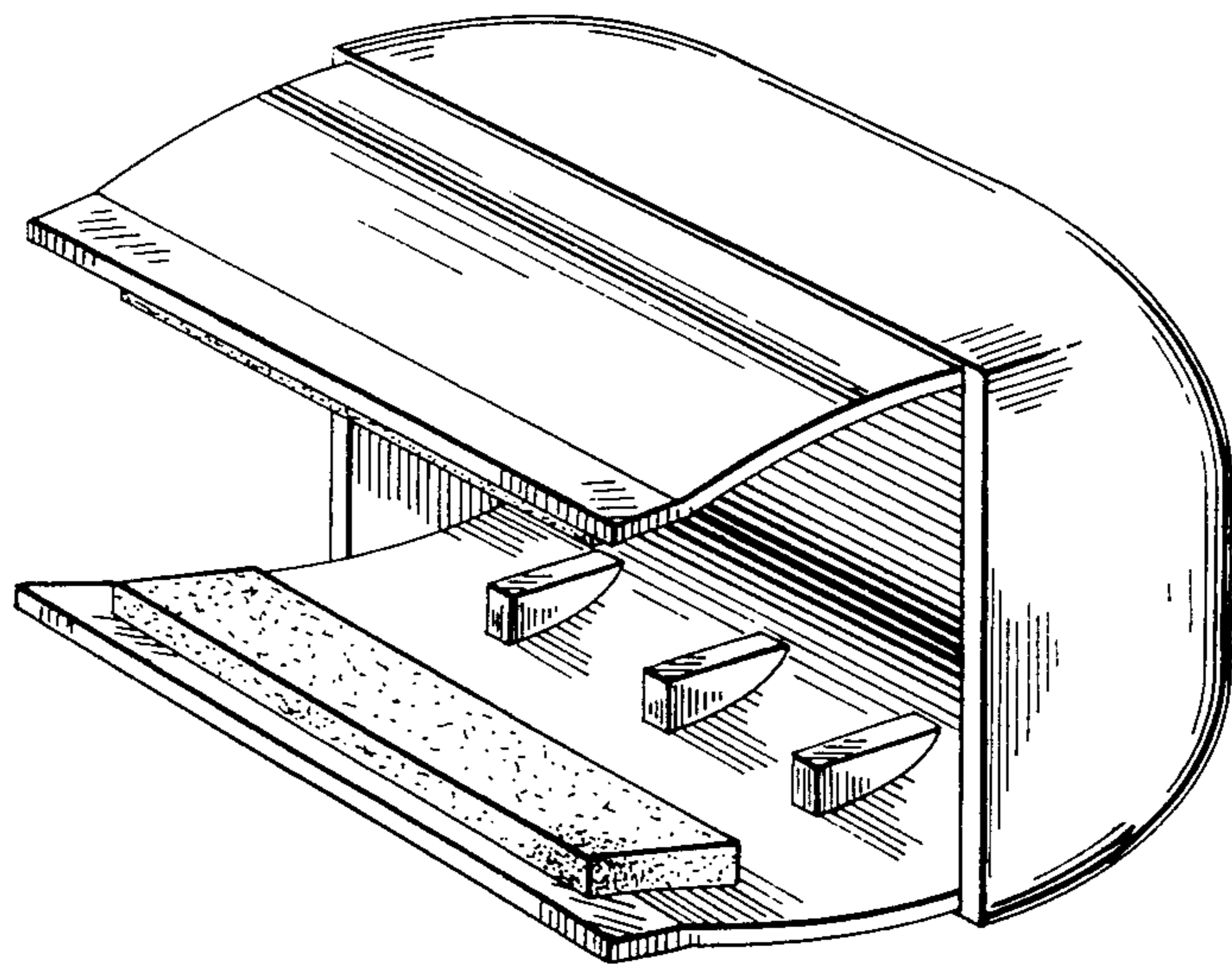


FIG. 1

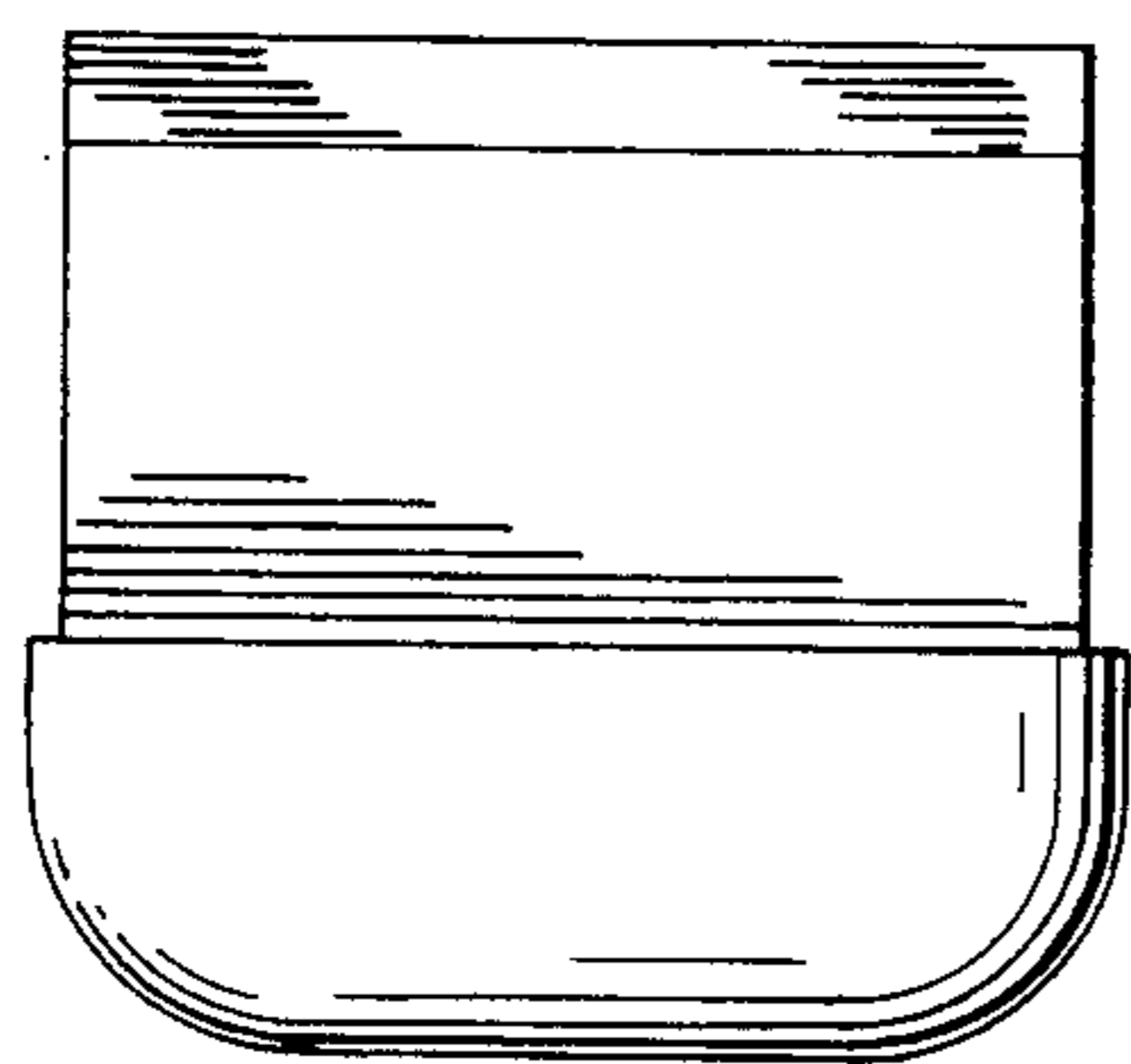


FIG. 3

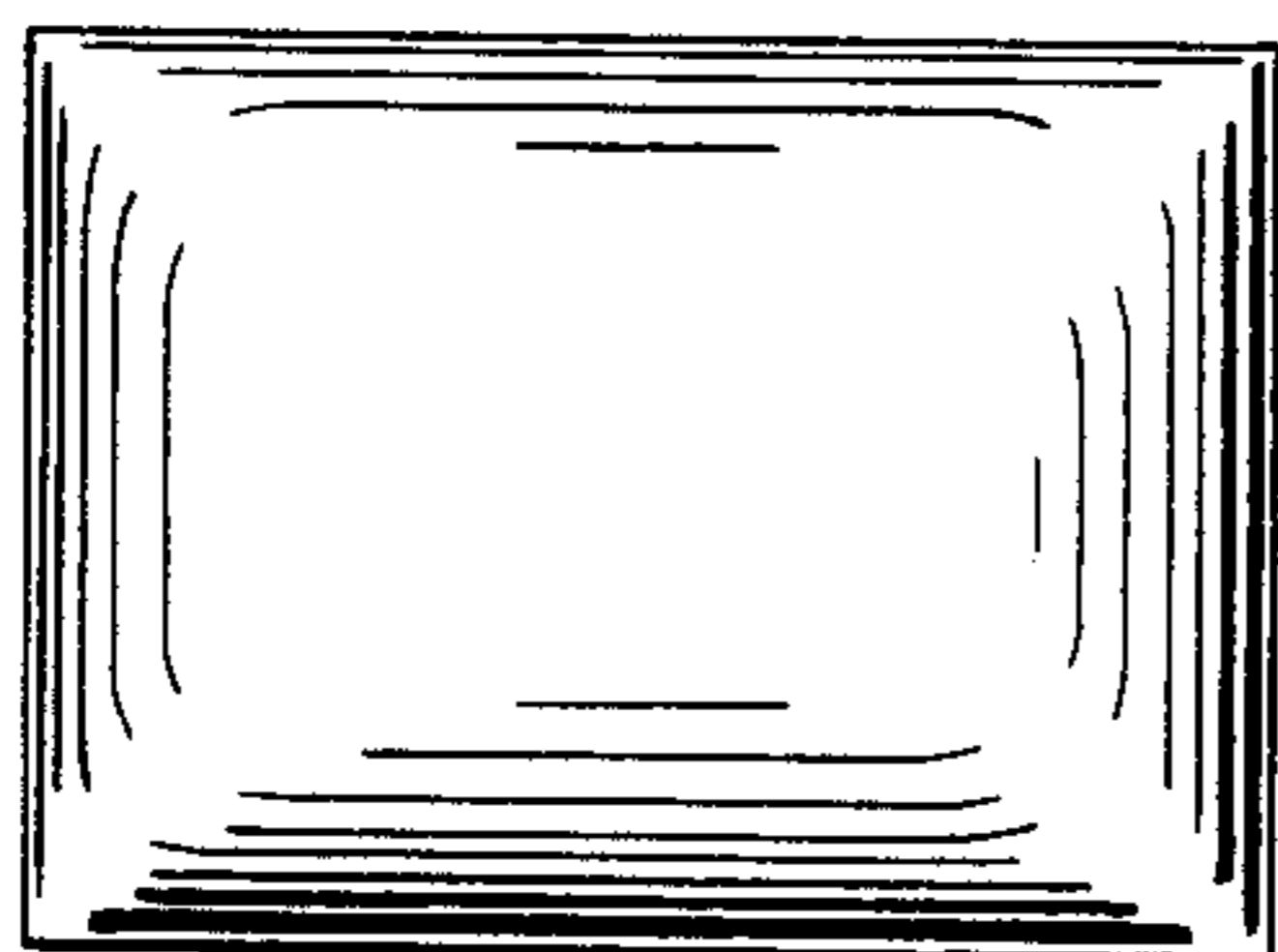


FIG. 2

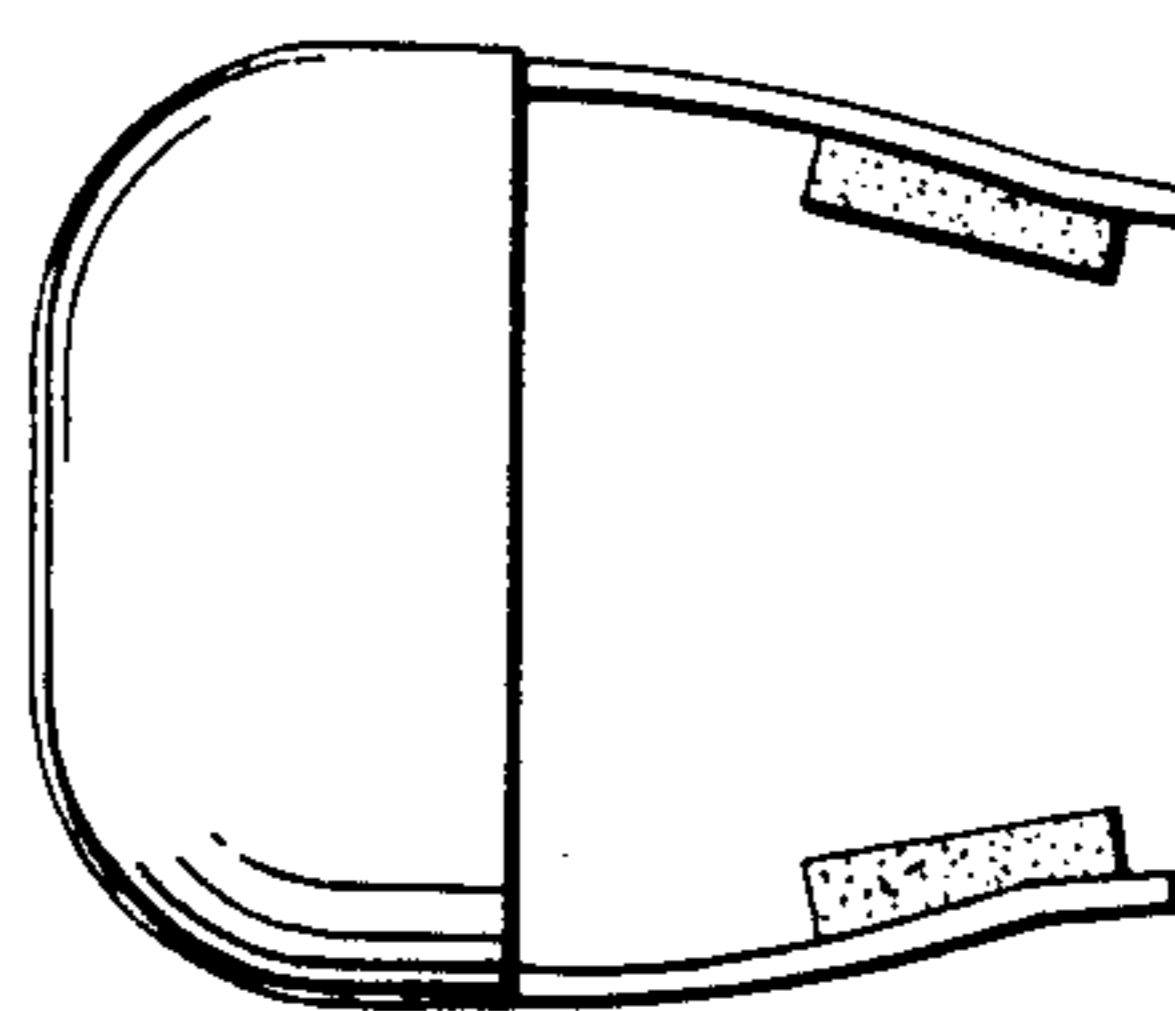


FIG. 5

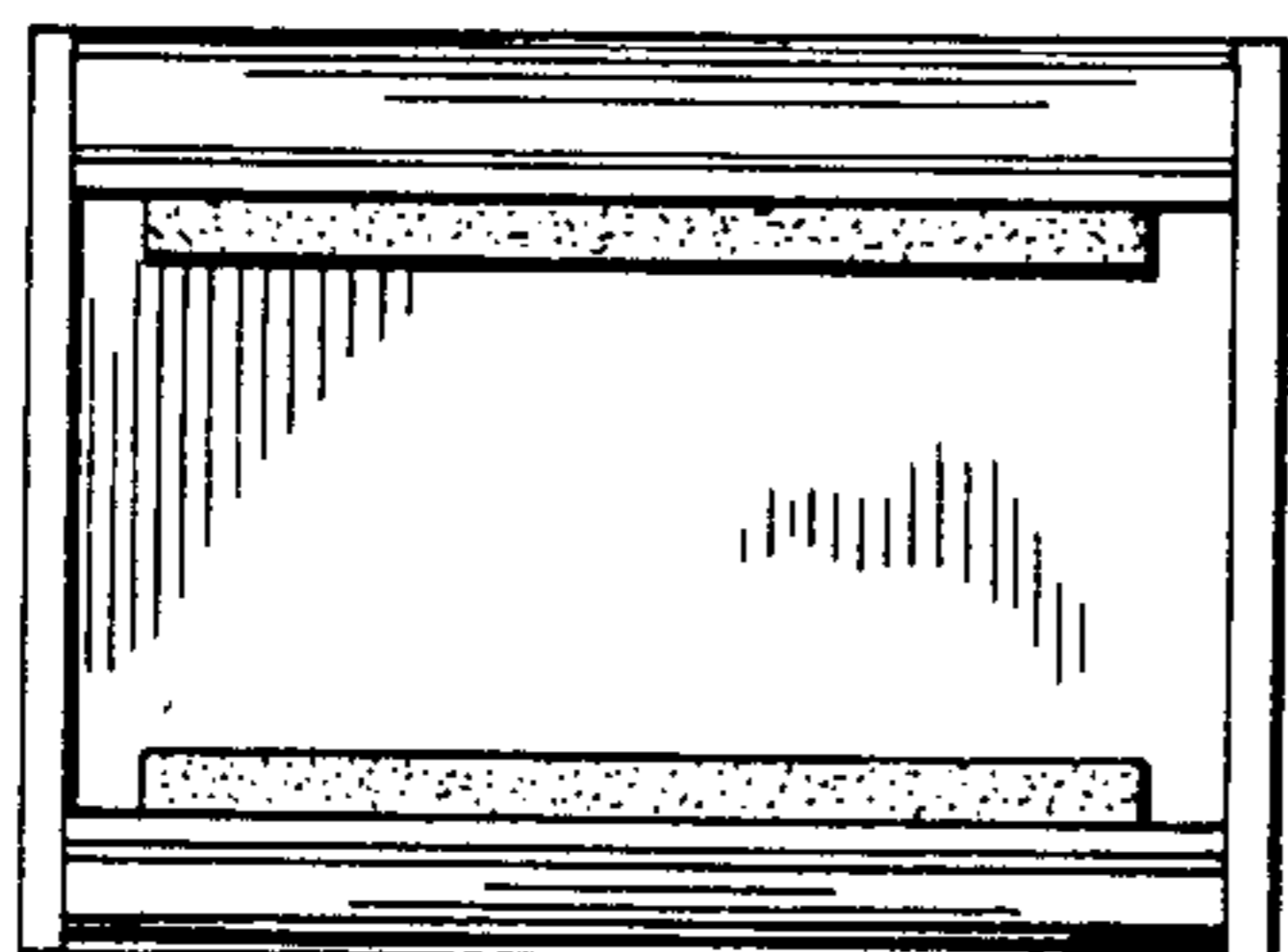


FIG. 4

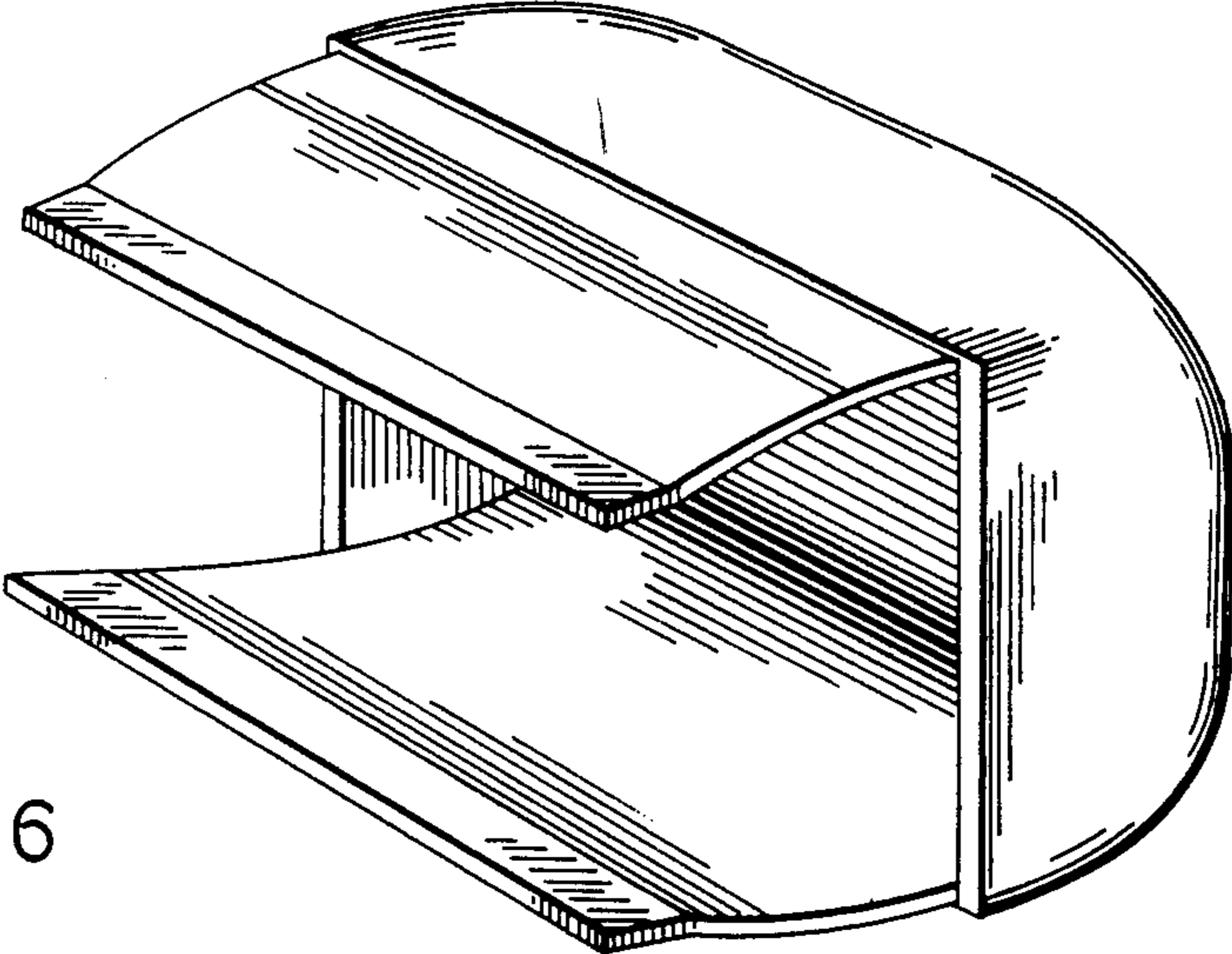


FIG. 6

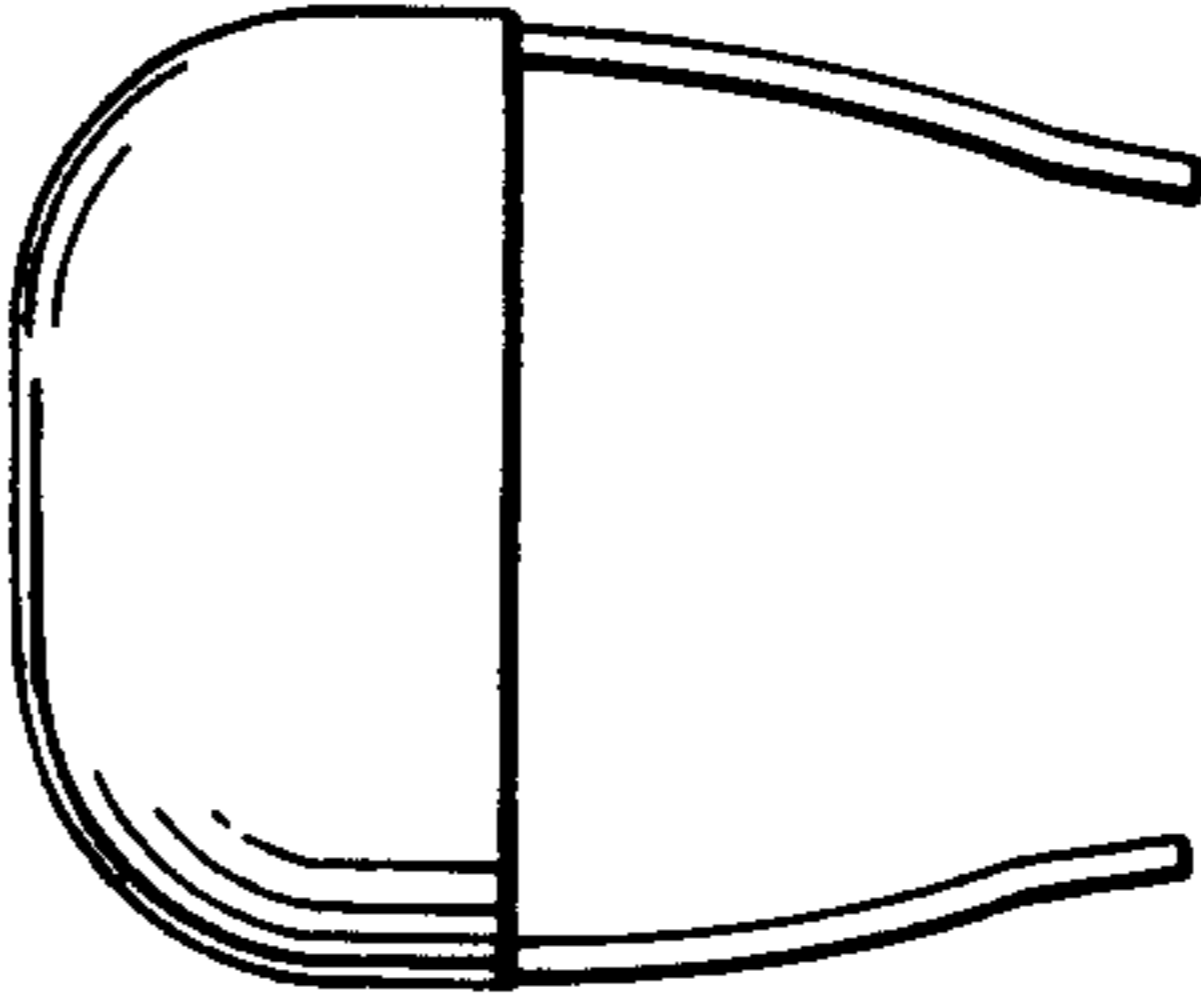


FIG. 8

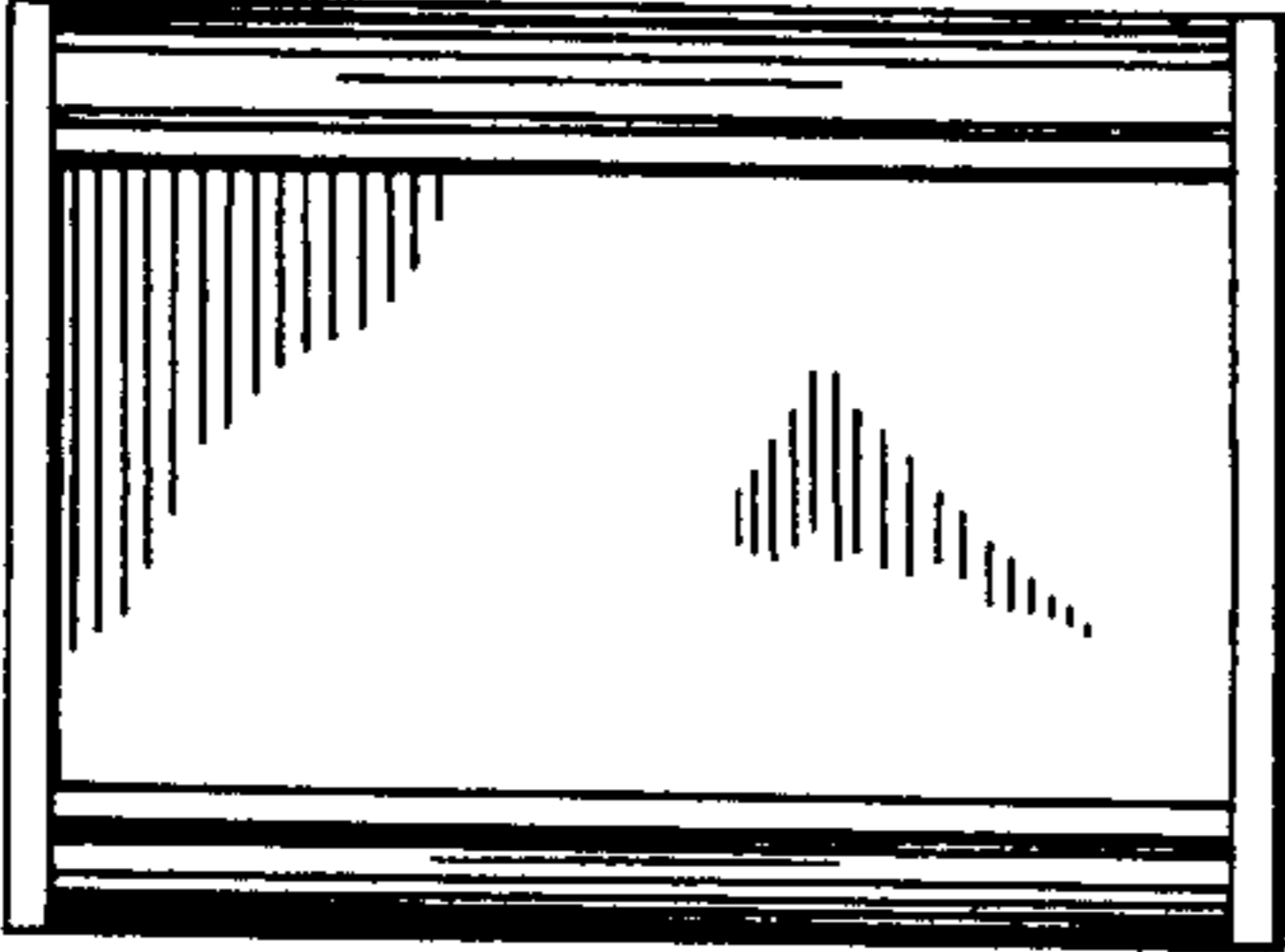


FIG. 7