

[54] BANK-TELLER TERMINAL

[75] Inventor: Jack Howe, London, England

[73] Assignee: Chubb Integrated Systems Limited, London, England

[**] Term: 14 Years

[21] Appl. No.: 770,544

[22] Filed: Feb. 22, 1977

[30] Foreign Application Priority Data

Sep. 9, 1976 [GB] United Kingdom 977075/76

[51] Int. Cl. D14-02; D18-01

[52] U.S. Cl. D14/45; D64/11 B

[58] Field of Search D14/40, 41, 42, 43, D14/44, 45, 46, 47, 49, 50, 51; D13/40, 41; D64/11 B, 11 C, 11 R; 235/16.11 E, 61.7 B; 340/146.3 R

[56]

References Cited

U.S. PATENT DOCUMENTS

D. 214,704	7/1969	Kapper et al.	D64/11 B
D. 226,088	1/1973	Anderson et al.	D14/42
D. 232,126	7/1974	Conway et al.	D64/11 B
D. 232,945	9/1974	Conway et al.	D64/11 B
3,878,364	4/1975	Mack et al.	235/61.7 B
3,906,201	9/1975	Housman et al.	235/61.7 B

Primary Examiner—Susan J. Lucas
Attorney, Agent, or Firm—Elliott I. Pollock

[57]

CLAIM

The ornamental design for bank-teller terminal, as shown and described.

DESCRIPTION

FIG. 1 is a front perspective view from above of a bank-teller terminal showing my new design; FIGS. 2 and 3 are, respectively, an end elevation and a rear perspective view from below of the embodiment shown in FIG. 1; FIG. 4 is a front perspective view from above of a second embodiment of the said design; and FIGS. 5 and 6, are, respectively, an end elevation, and a rear perspective view from below, of the said second embodiment.

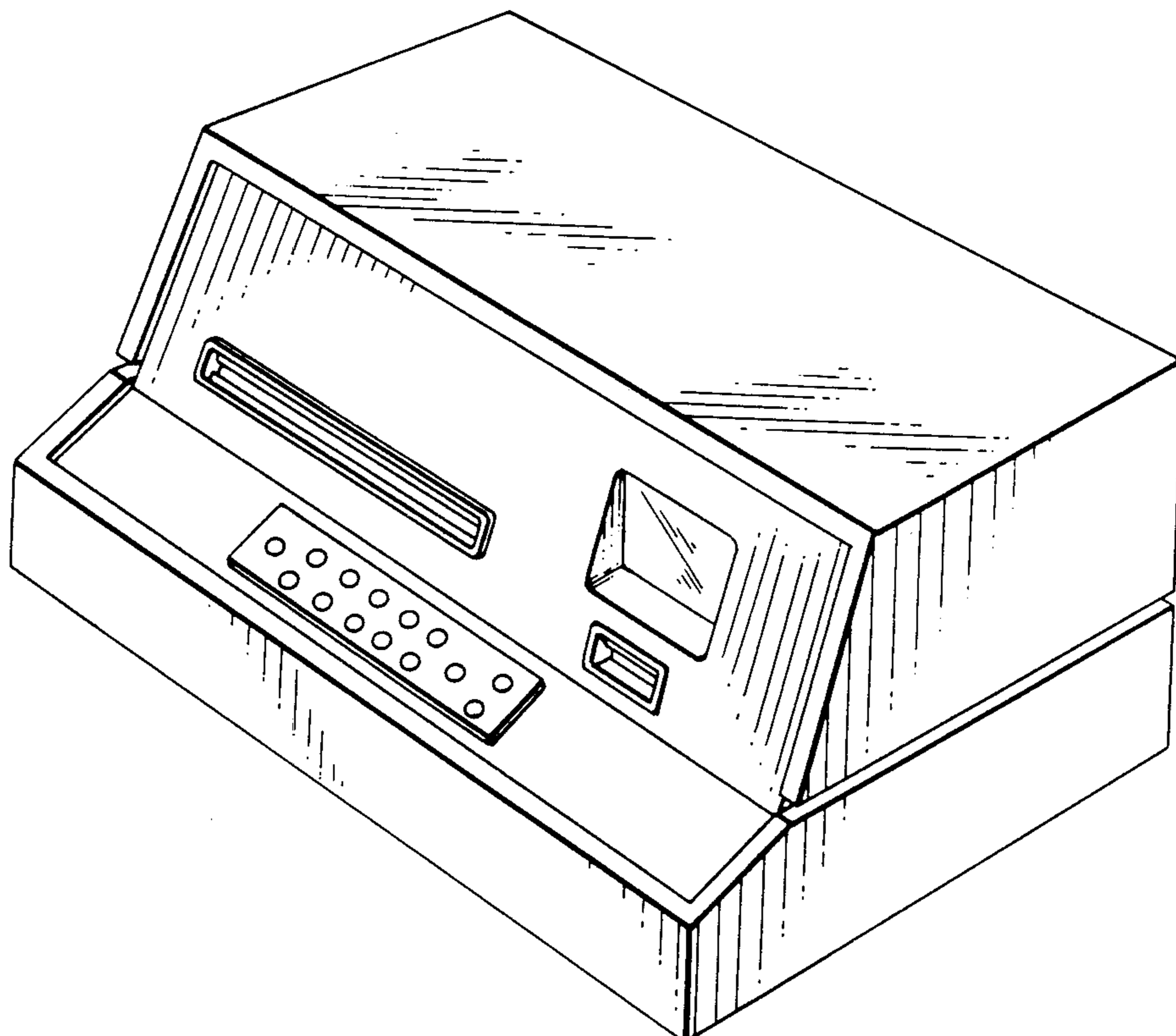


Fig.1.

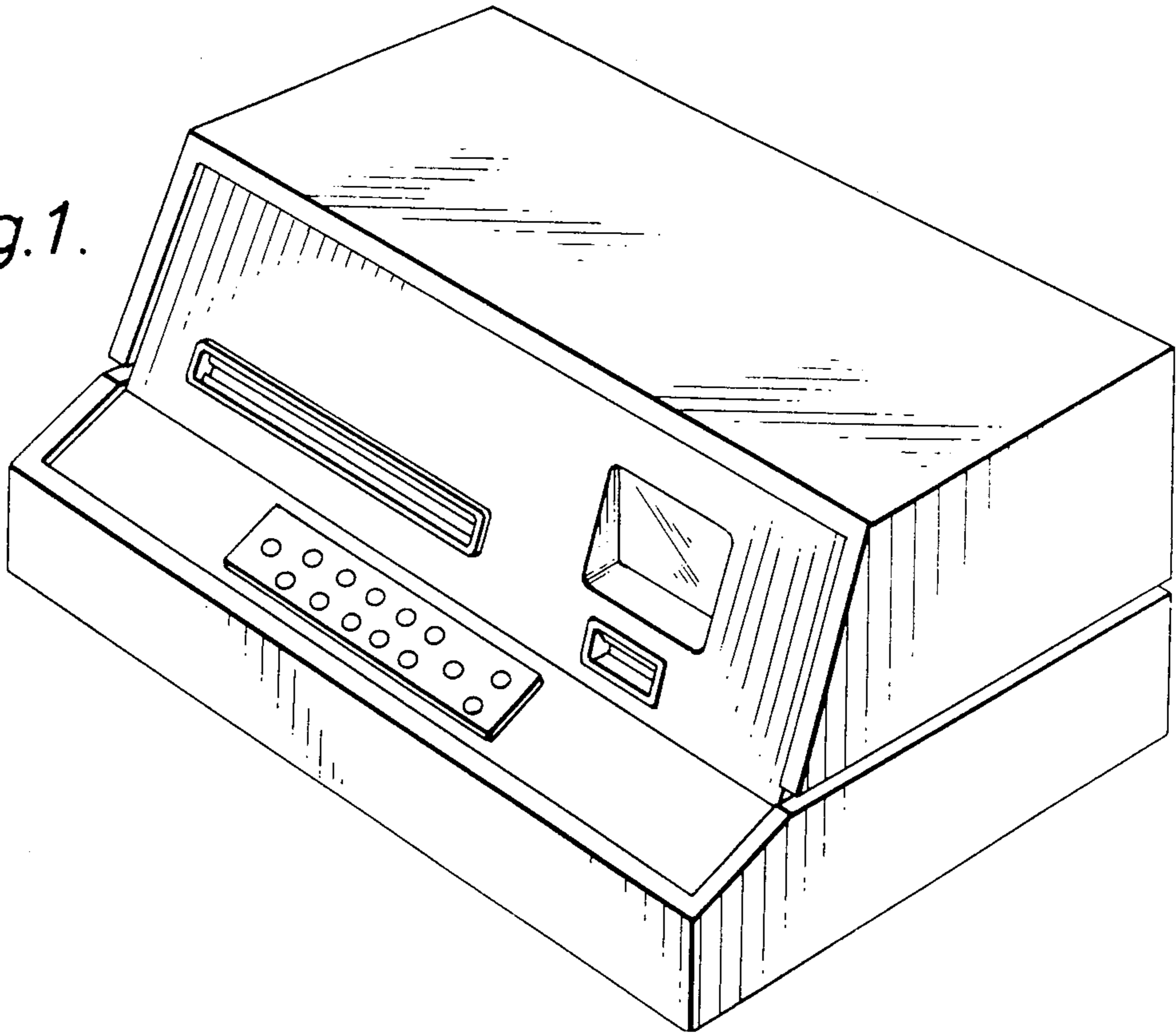


Fig.4.

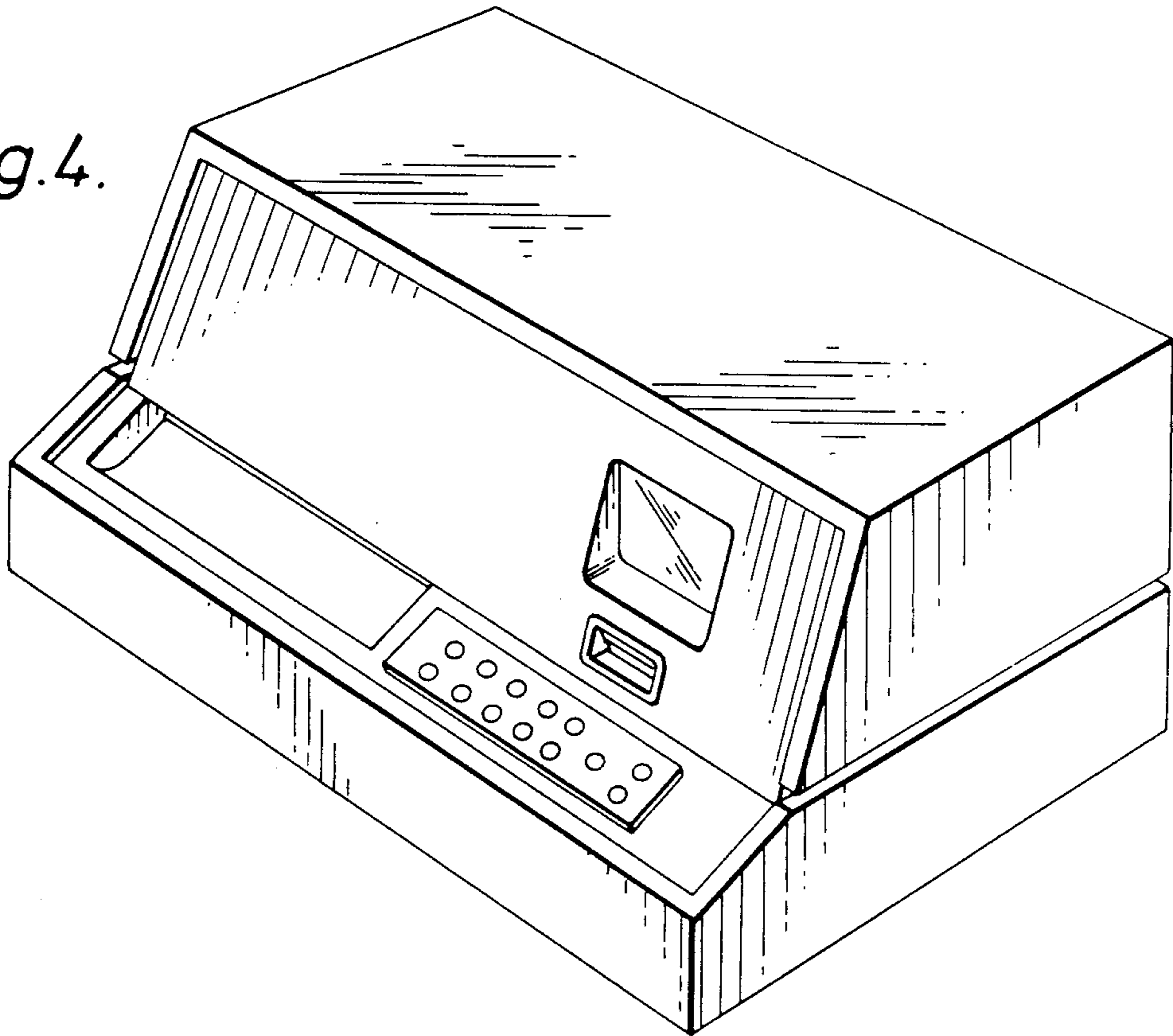


Fig.2.

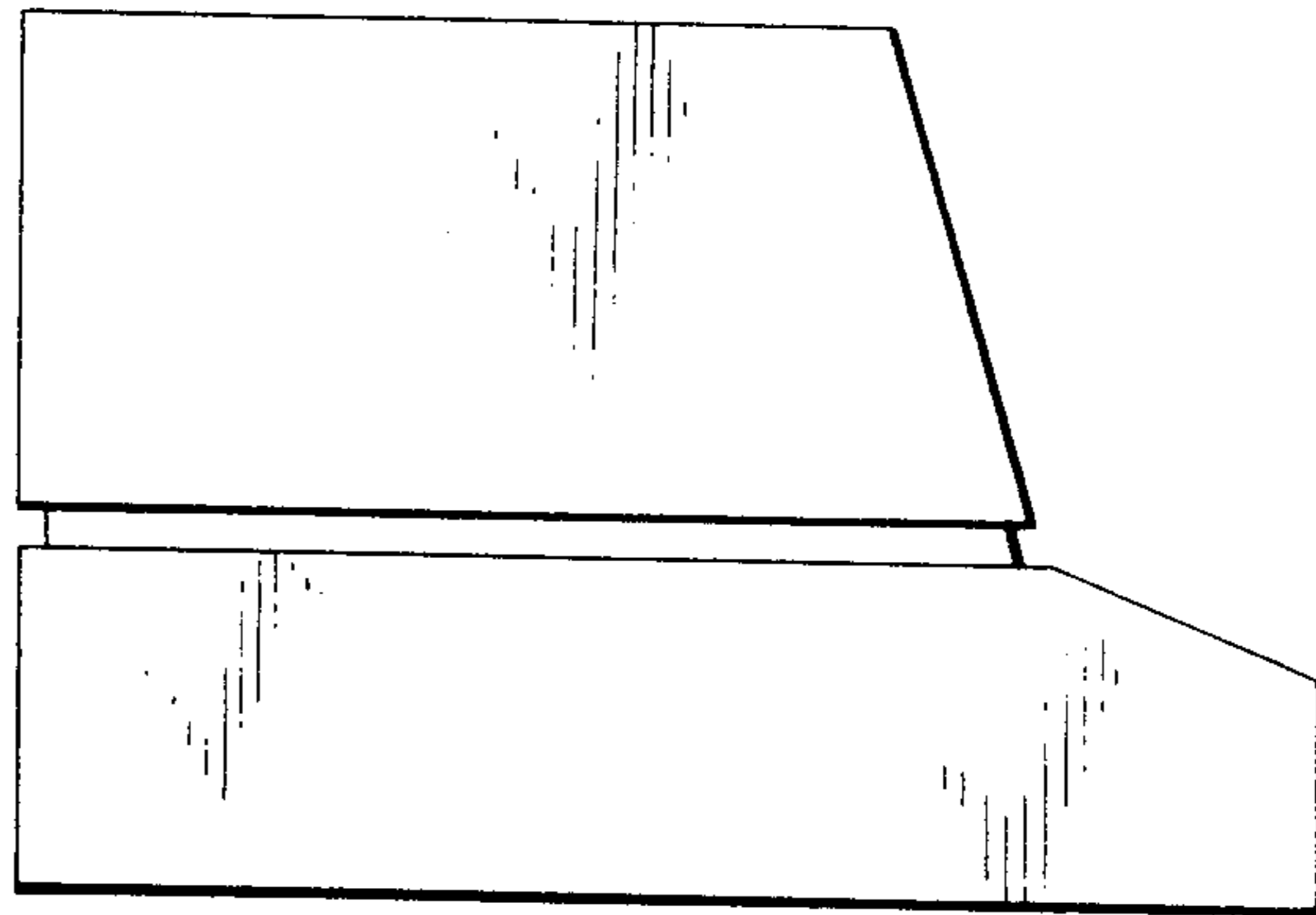


Fig.3.

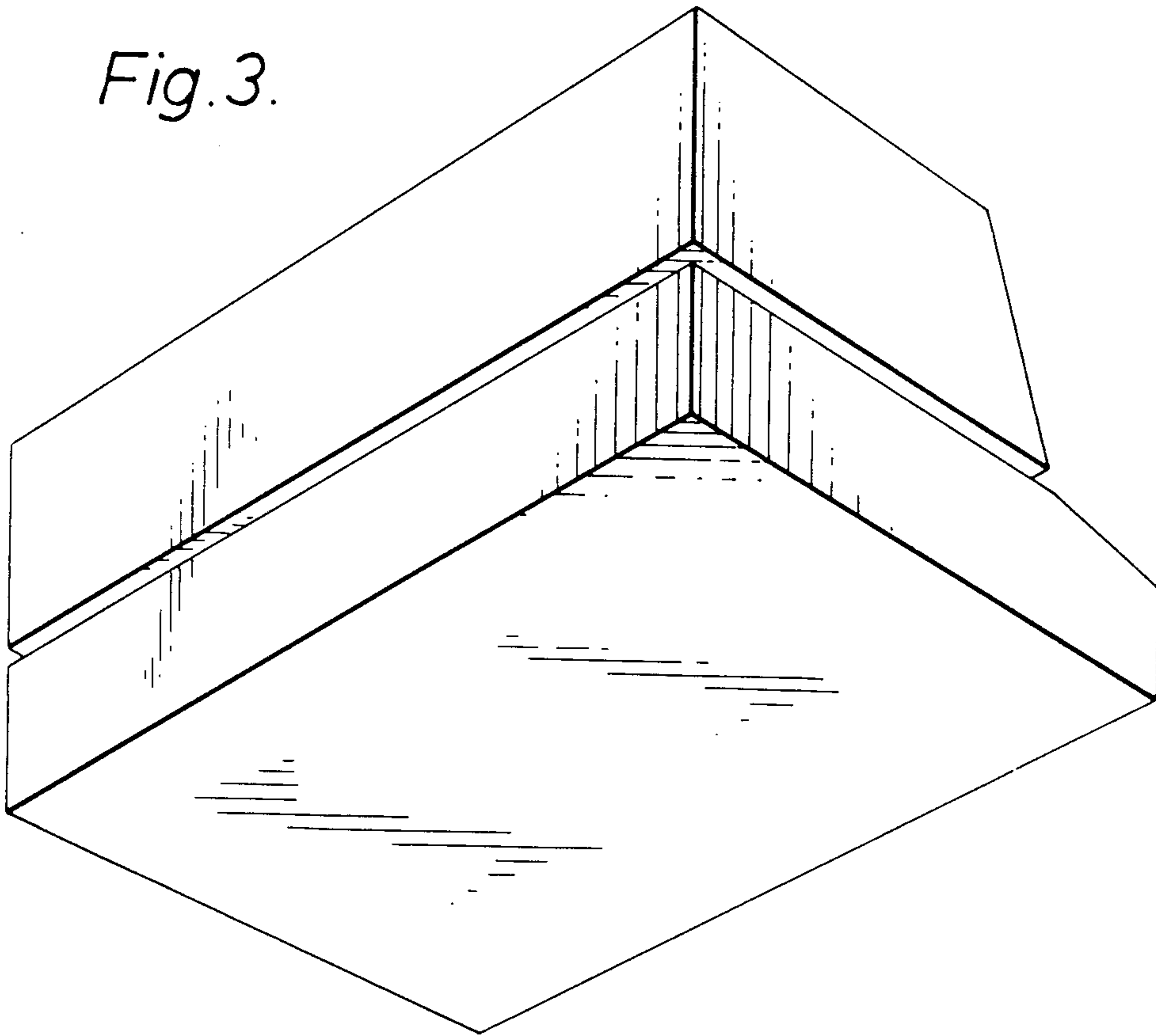


Fig.5.

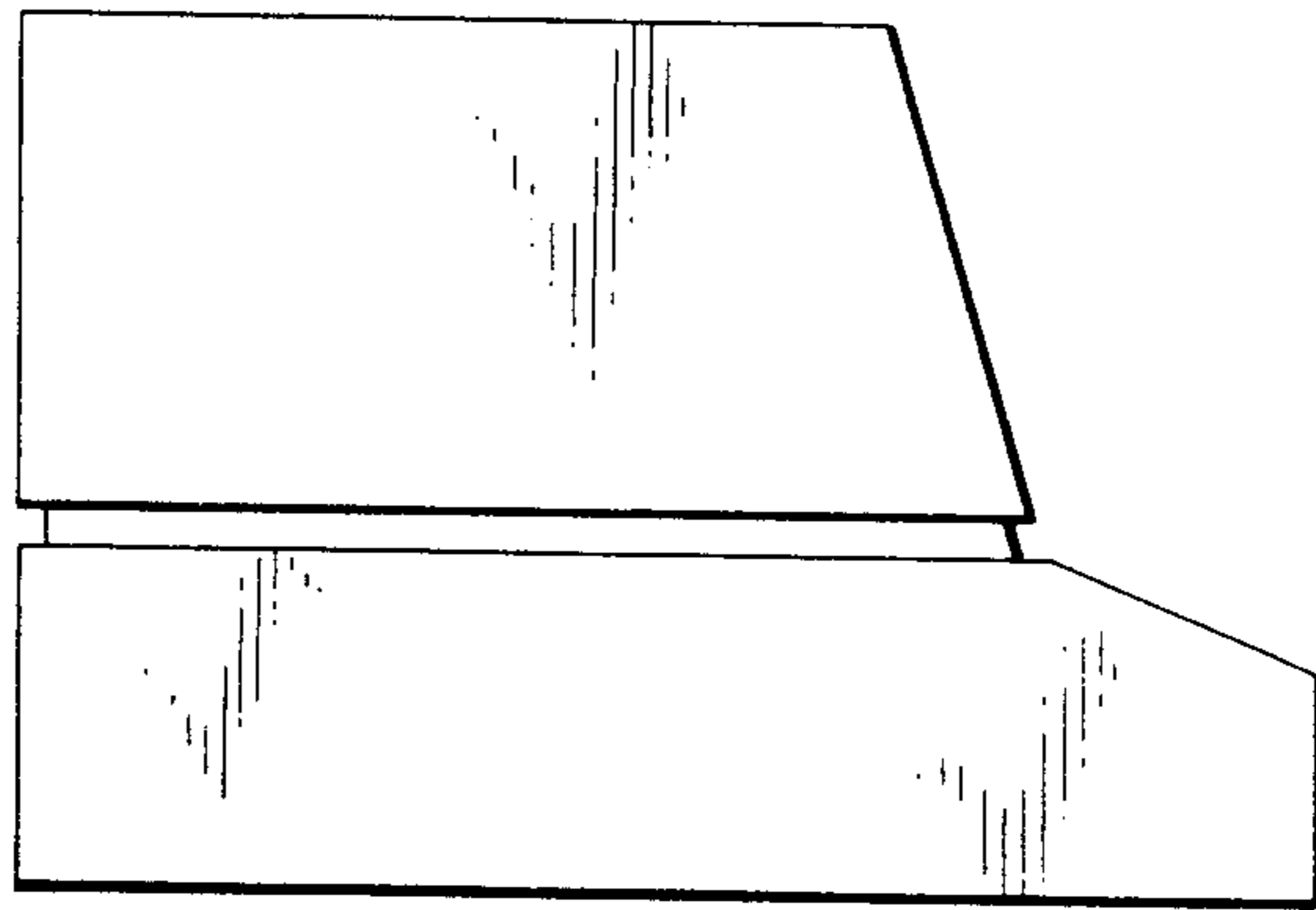


Fig.6.

