

[54] TELEPHONE CONNECTOR BLOCK

[75] Inventor: Paul V. DeLuca, Syosset, N.Y.

[73] Assignee: Porta Systems Corp., Syosset, N.Y.

[**] Term: 14 Years

[21] Appl. No.: 783,264

[22] Filed: Mar. 31, 1977

[51] Int. Cl. D13-03

[52] U.S. Cl. D13/24

[58] Field of Search D13/12, 24, 27, 28, D13/99; 339/198 R, 198 GA, 198 G, 125 R

[56] References Cited

U.S. PATENT DOCUMENTS

D. 213,697 4/1969 Oxley D13/24

2,107,751	2/1938	Goff	339/198 R X
3,296,362	1/1967	Parry	339/198 R X
3,343,120	9/1967	Whiting	339/198 R X
3,560,632	2/1971	Wallace	339/198 R X

OTHER PUBLICATIONS

Circuits Manufacturing, Dec. 1972, p. 66, Terminal block.

Primary Examiner—Susan J. Lucas

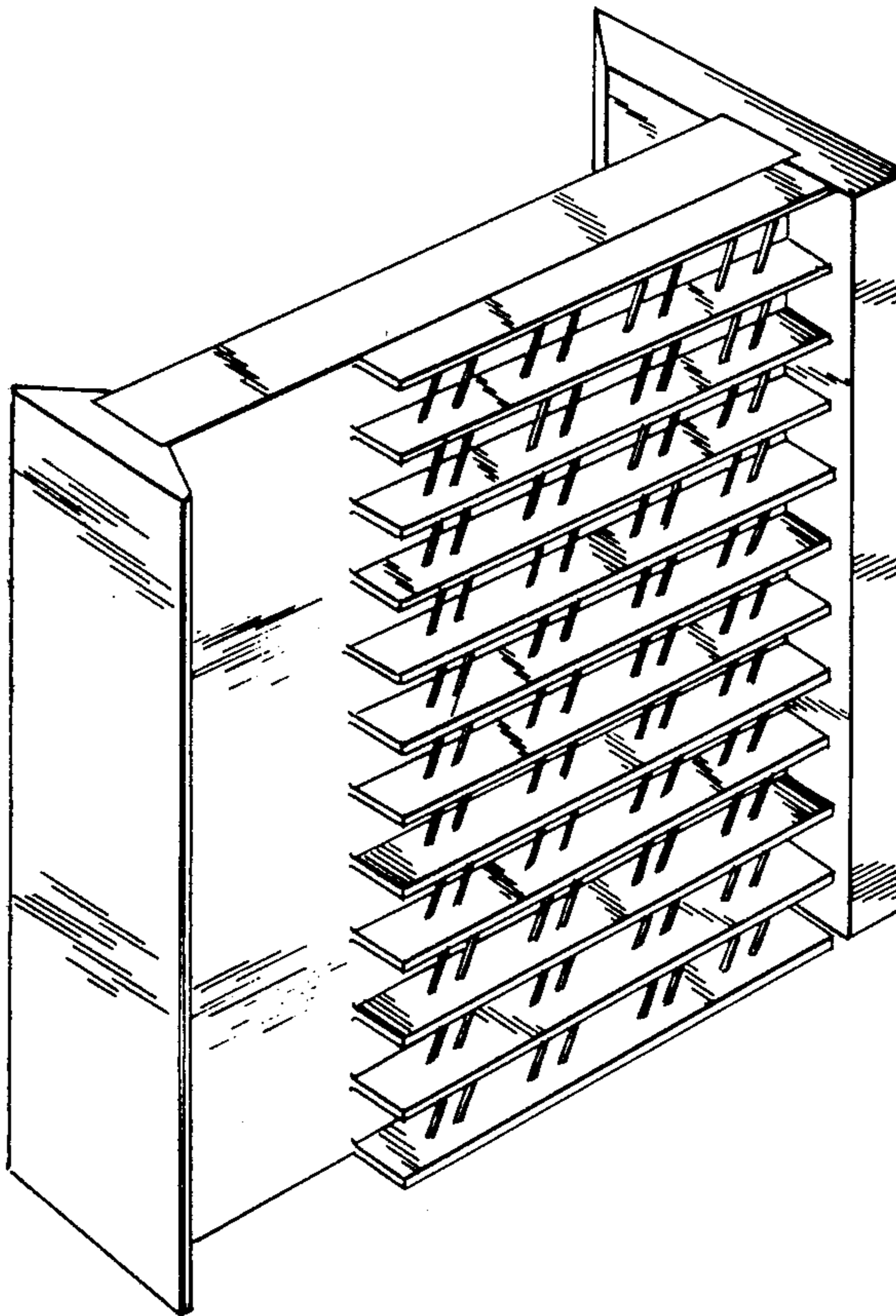
Attorney, Agent, or Firm—Charles E. Temko

[57] CLAIM

The ornamental design for a telephone connector block, substantially as shown.

DESCRIPTION

FIG. 1 is a front view in perspective of a telephone connector block showing my new design; and FIG. 2 is a rear view in perspective, thereof.



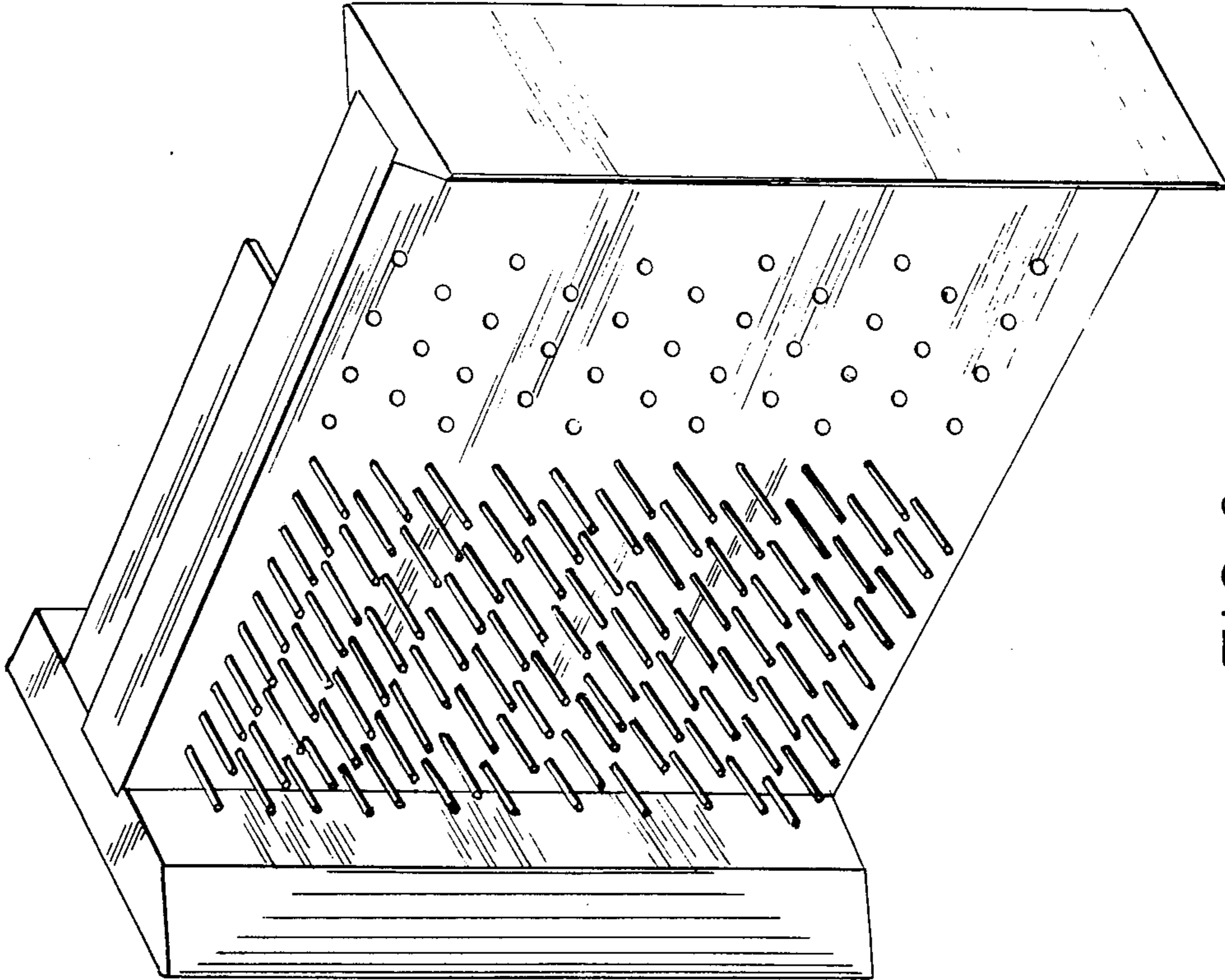


FIG. 2

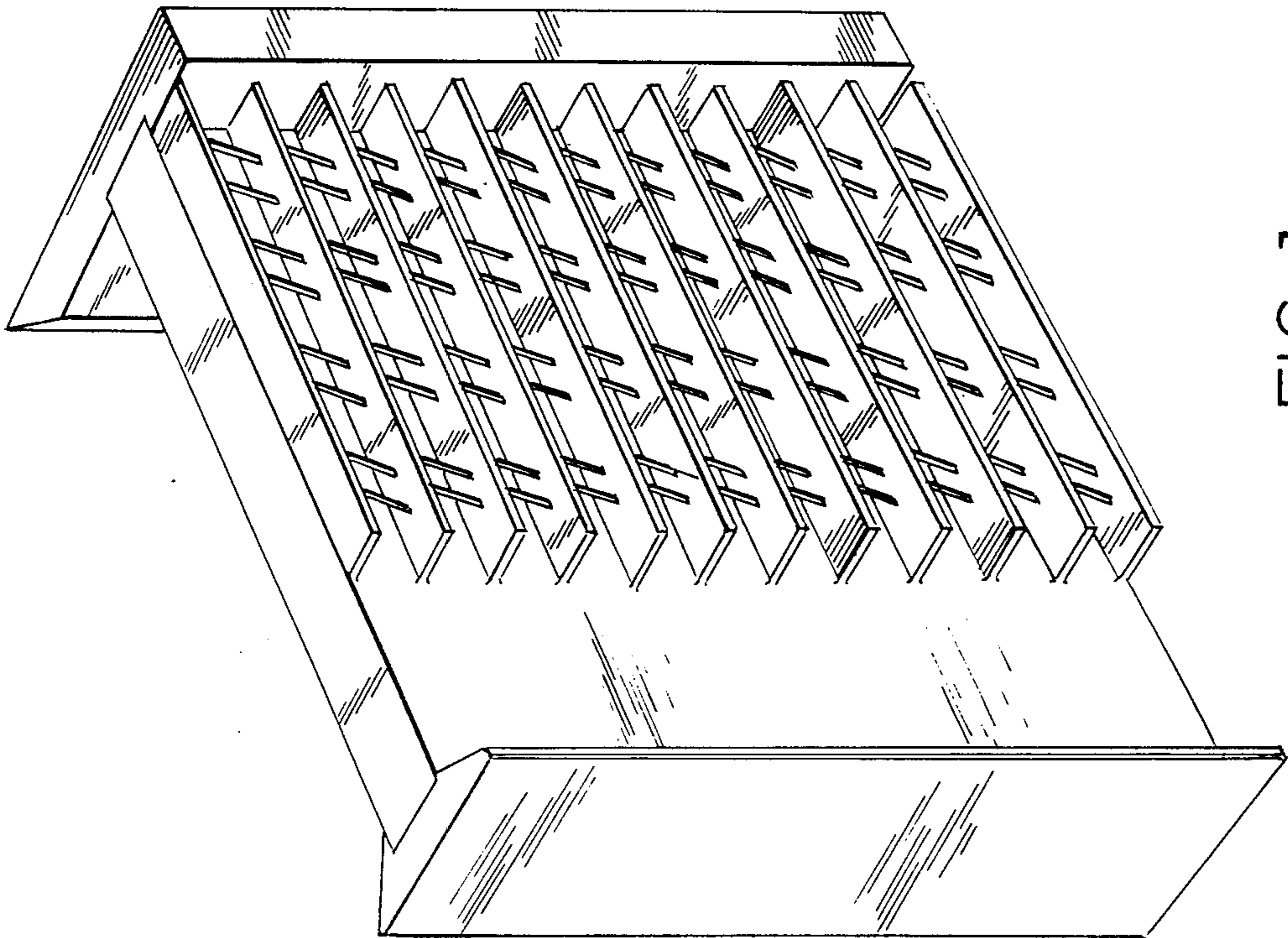


FIG. 7