

- [54] ELECTRIC GRASS TRIMMER HOUSING
- [75] Inventor: Edward A. Irelan, Columbia, Mo.
- [73] Assignee: McGraw-Edison Company, Elgin, Ill.
- [**] Term: 14 Years
- [21] Appl. No.: 737,436
- [22] Filed: Nov. 1, 1976
- [51] Int. Cl. D8-03
- [52] U.S. Cl. D8/8
- [58] Field of Search D8/7, 8; 30/264, 276,
30/347, DIG. 1, DIG. 5; 172/13, 15, 16, 18

3,959,879 6/1976 Sellers 30/276
 4,047,299 9/1977 Bair 30/276

Primary Examiner—Wallace R. Burke
 Assistant Examiner—James M. Gandy
 Attorney, Agent, or Firm—Charles F. Lind

[57] CLAIM

The ornamental design for an electric grass trimmer housing, substantially as shown.

DESCRIPTION

FIG. 1 is a perspective view of an electric grass trimmer housing showing my new design, it being understood that the broken lines are for illustration purposes only; FIG. 2 is a side elevational view thereof; FIG. 3 is a front elevational view thereof; FIG. 4 is a rear elevational view thereof; FIG. 5 is a top plan view thereof; and FIG. 6 is a bottom plan view thereof.

- [56] **References Cited**
- U.S. PATENT DOCUMENTS**
- D. 219,006 10/1970 Gale et al. D8/8
- D. 221,507 8/1971 Bunyea D8/8

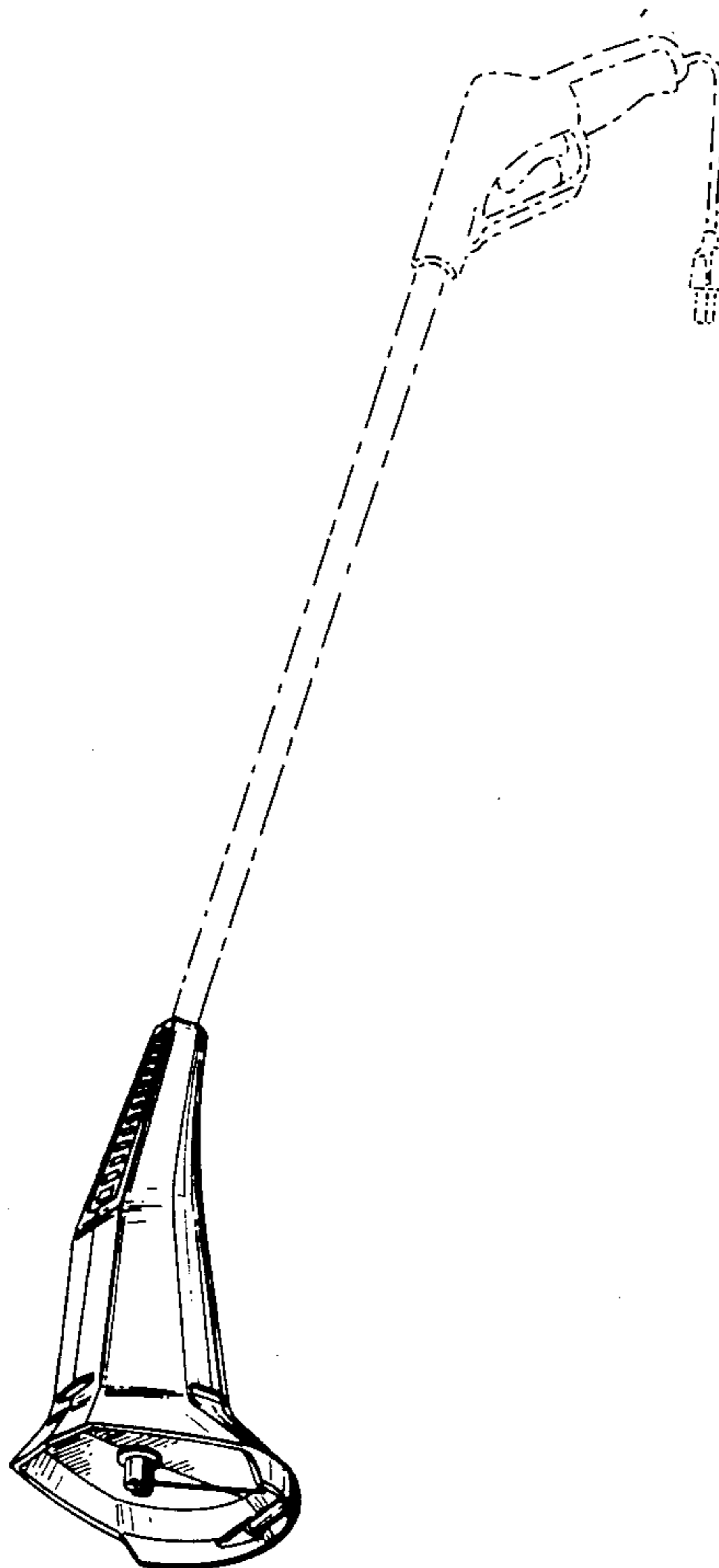


FIG. 1

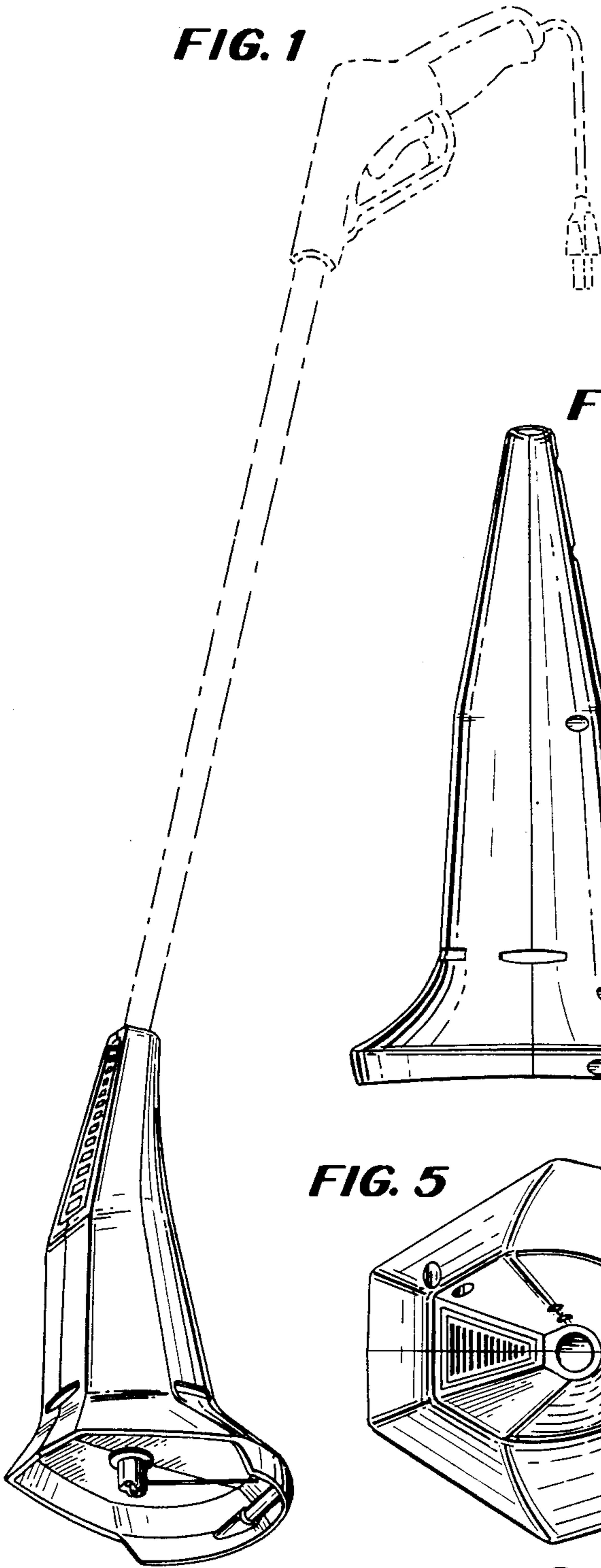


FIG. 2

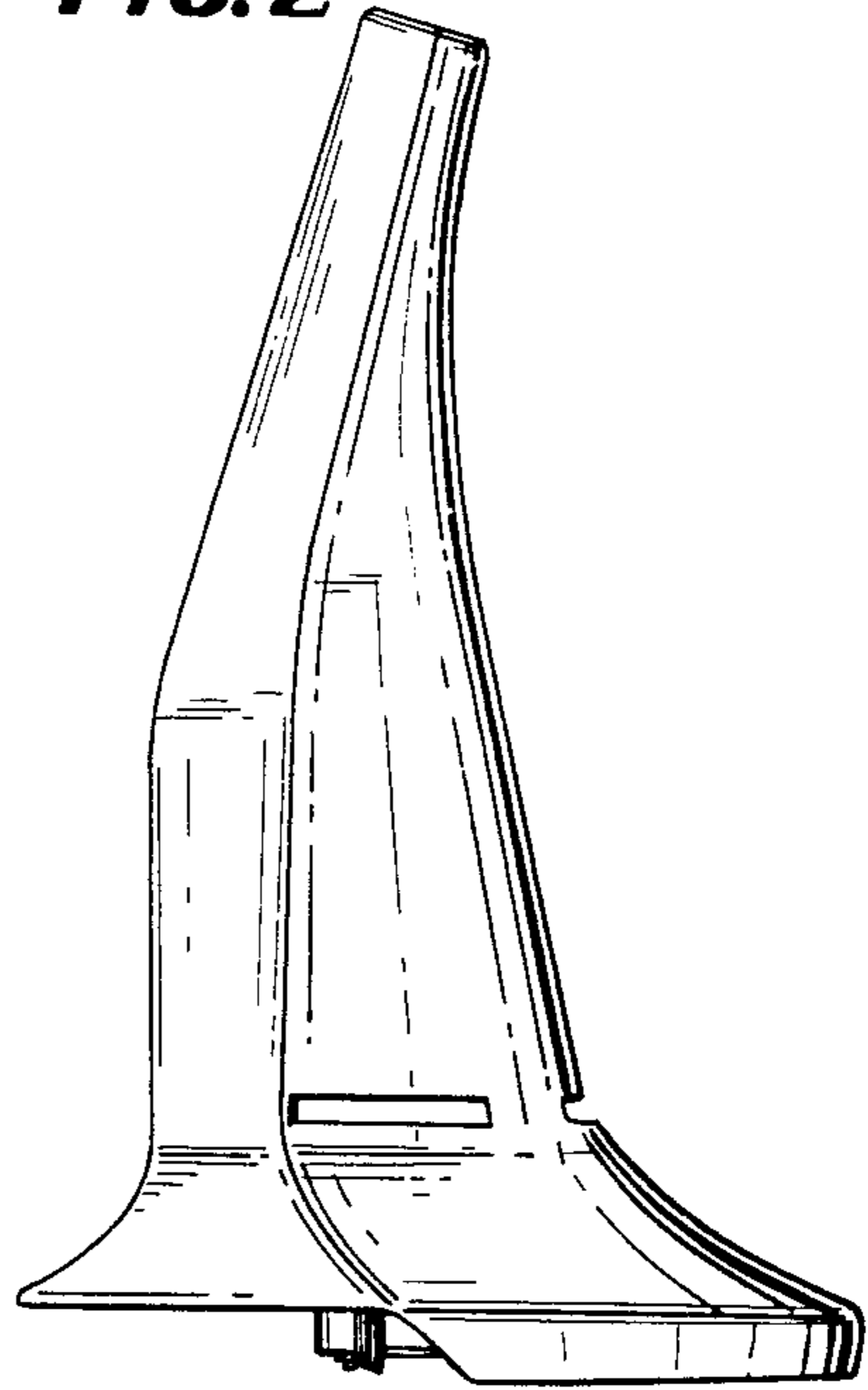


FIG. 3

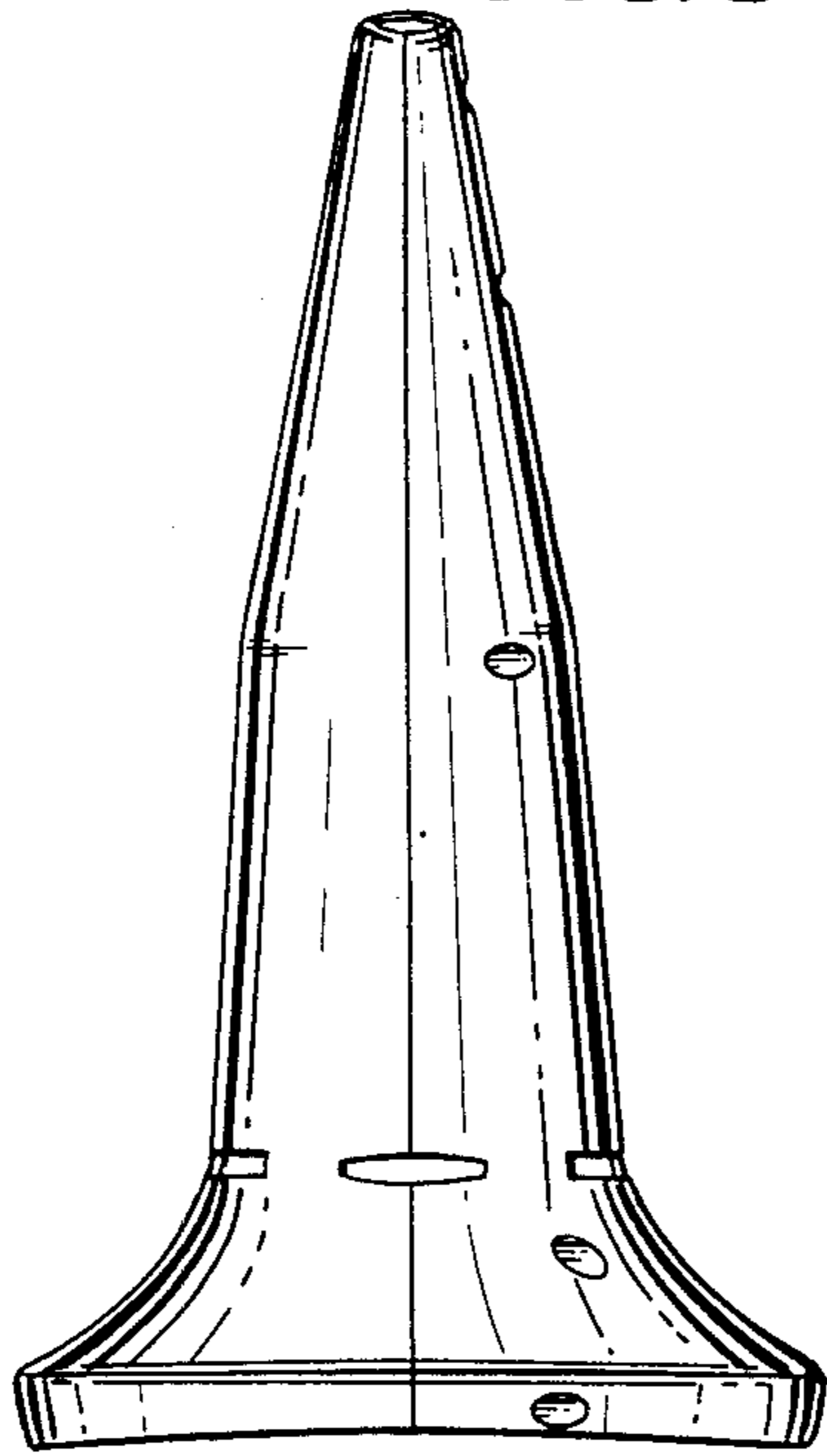


FIG. 4

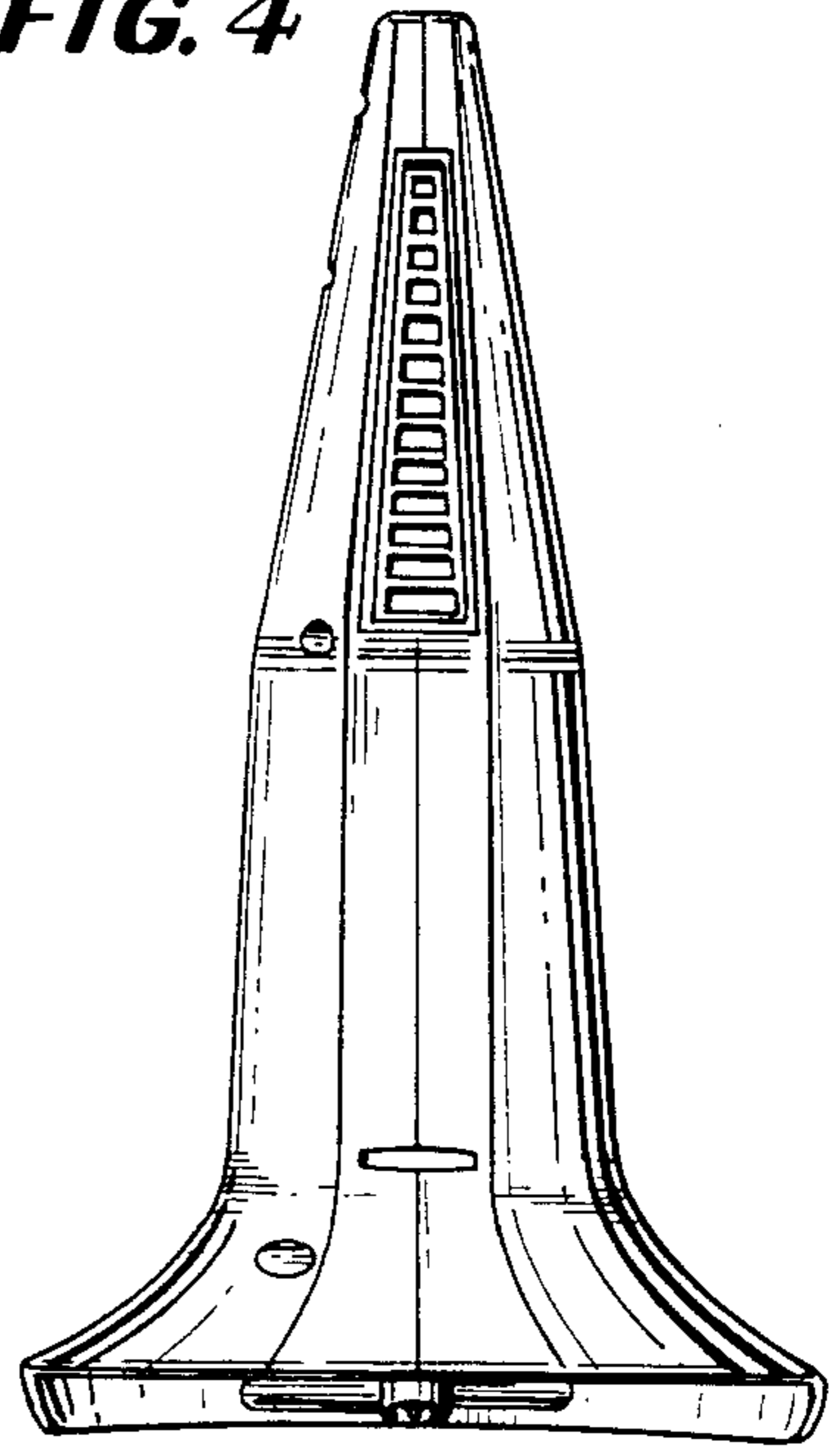


FIG. 5

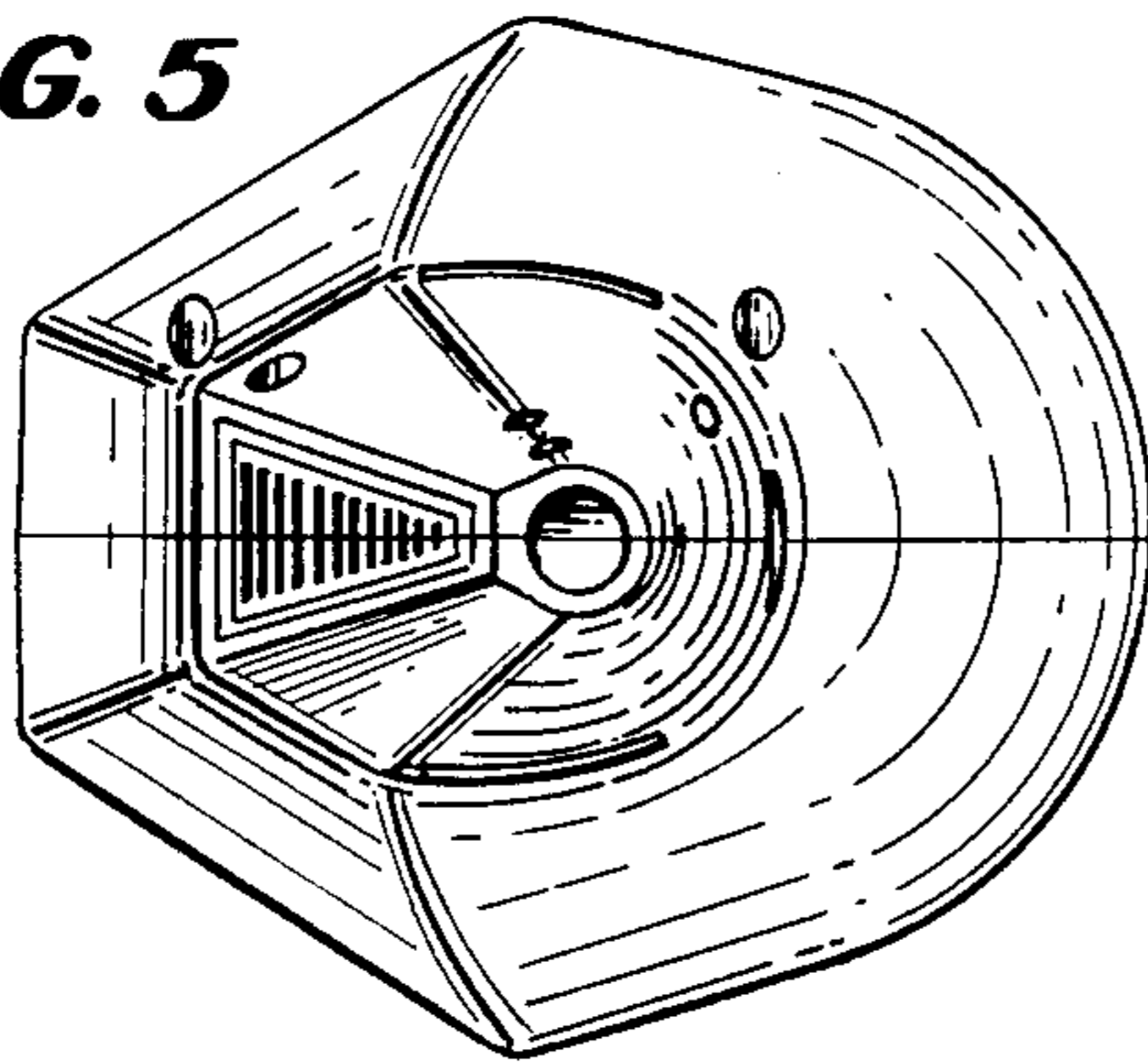


FIG. 6

