

[54] **COMBINED CHECKSTAND AND CONTROL CABINET ASSEMBLY**

- [75] Inventor: David Duke, Azusa, Calif.
[73] Assignee: Zephyr System, Inc., El Monte, Calif.
[**] Term: 14 Years
[21] Appl. No.: 835,178
[22] Filed: Sep. 20, 1977
[51] Int. Cl. D6-03
[52] U.S. Cl. D6/143
[58] Field of Search D6/85, 143, 144;
312/140.1; 186/1 A

[56] **References Cited**

U.S. PATENT DOCUMENTS

- | | | | |
|------------|---------|-----------------------|-----------|
| D. 193,820 | 10/1962 | Hittinger et al. | D6/143 |
| D. 241,996 | 10/1976 | Fenwick | D6/143 |
| 3,960,420 | 6/1976 | Seraio | 312/140.1 |

Primary Examiner—Wallace R. Burke
Assistant Examiner—B. J. Bullock

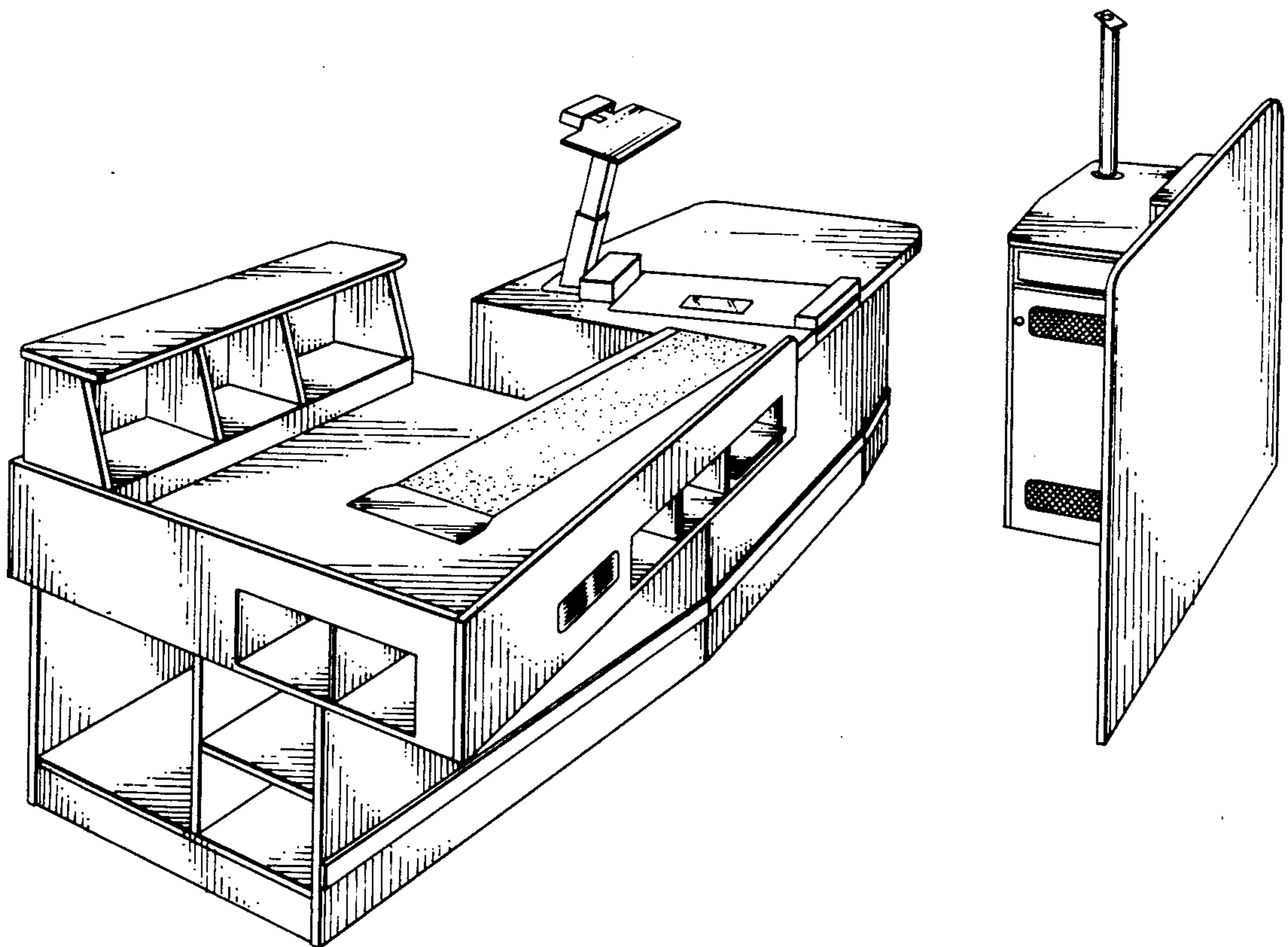
Attorney, Agent, or Firm—Charles E. Wills

[57] **CLAIM**

The ornamental design for a combined checkstand and control cabinet assembly, as shown.

DESCRIPTION

FIG. 1 is a perspective view of a combined checkstand and control cabinet assembly embodying my design; FIG. 2 is a top plan view thereof; FIG. 3 is a side elevational view of the checkstand taken from the right of FIG. 1; FIG. 4 is a side elevational view of the checkstand taken from the left of FIG. 1; FIG. 5 is an elevational view of the checkstand taken from the front of FIG. 1; FIG. 6 is an elevational view of the control cabinet taken from the front of FIG. 1; FIG. 7 is an elevational view of the control cabinet taken from the right of FIG. 1; FIG. 8 is an elevational view taken from the rear of FIG. 1; FIG. 9 is an elevational view taken from the left of FIG. 1.



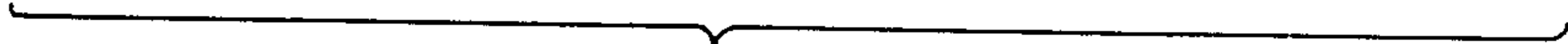
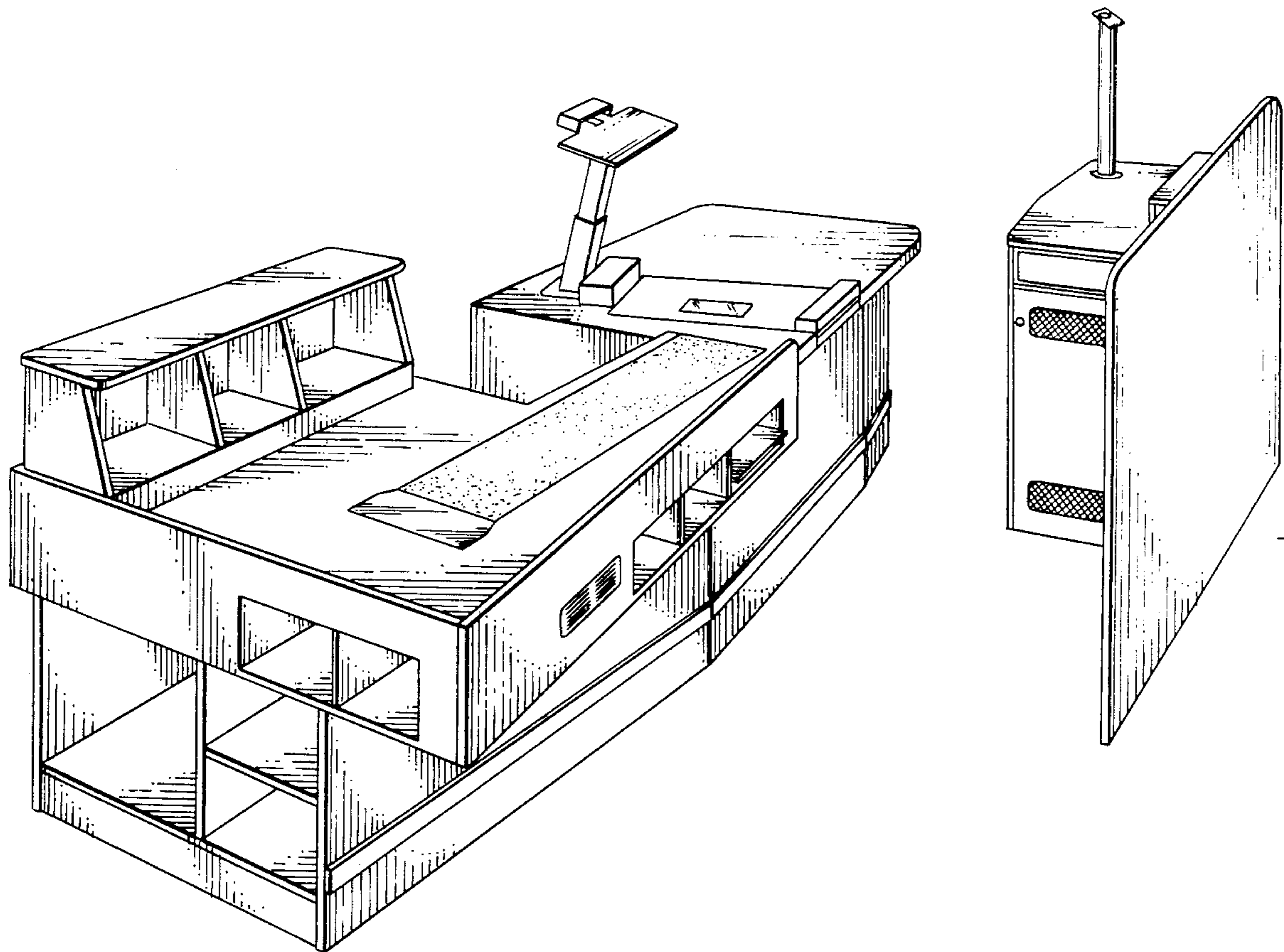


FIG. 1

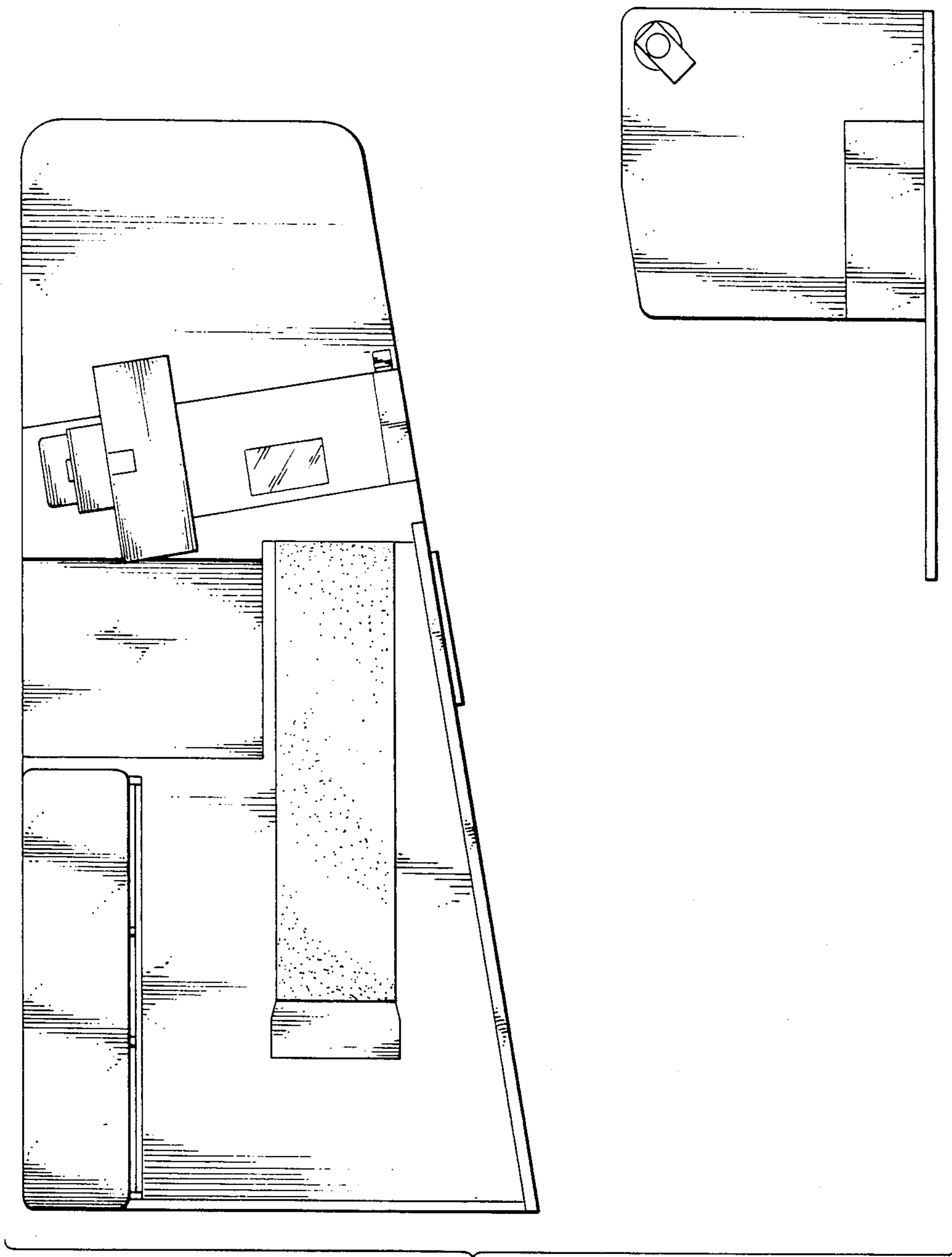


FIG. 2

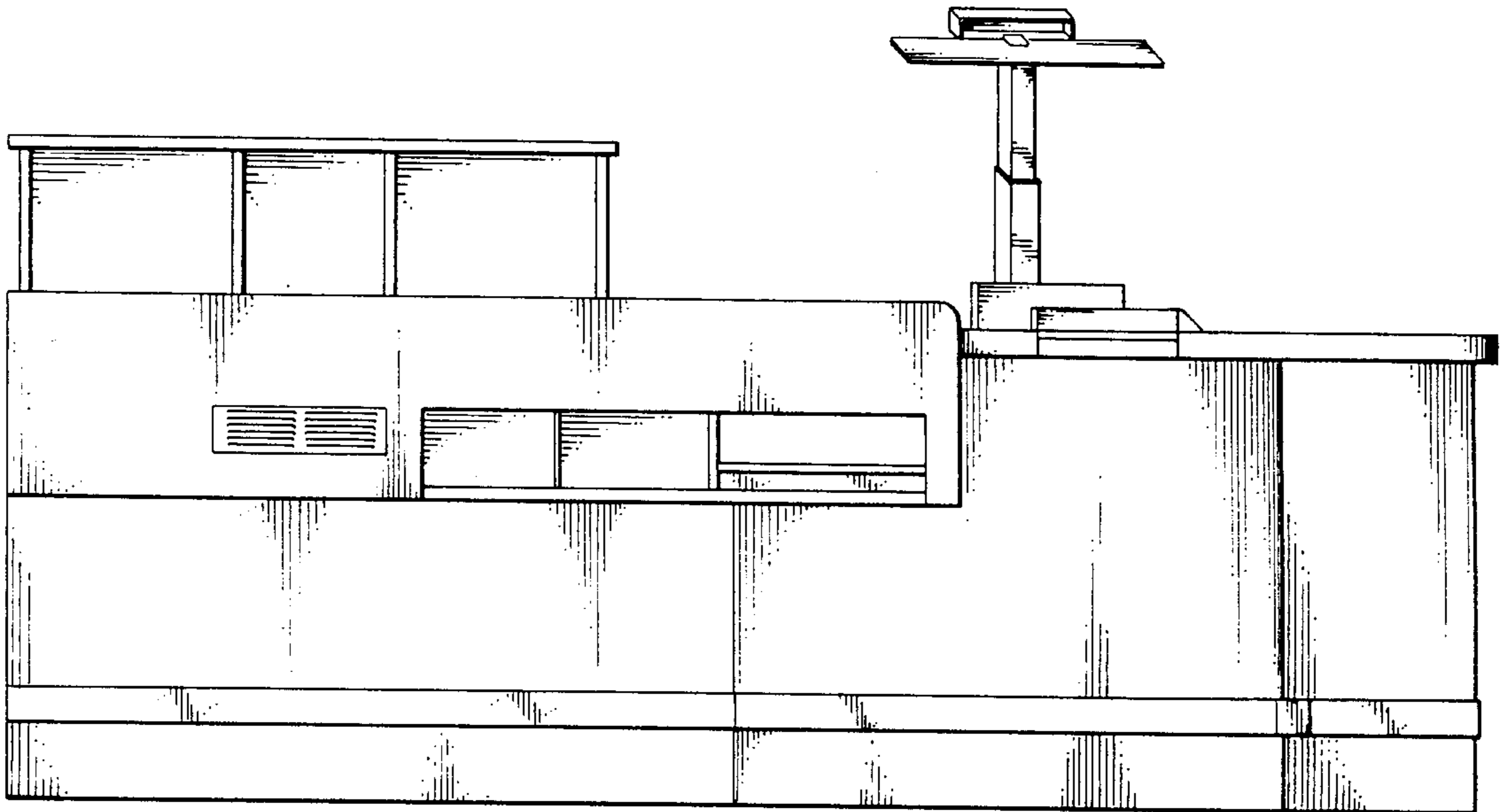


FIG. 3

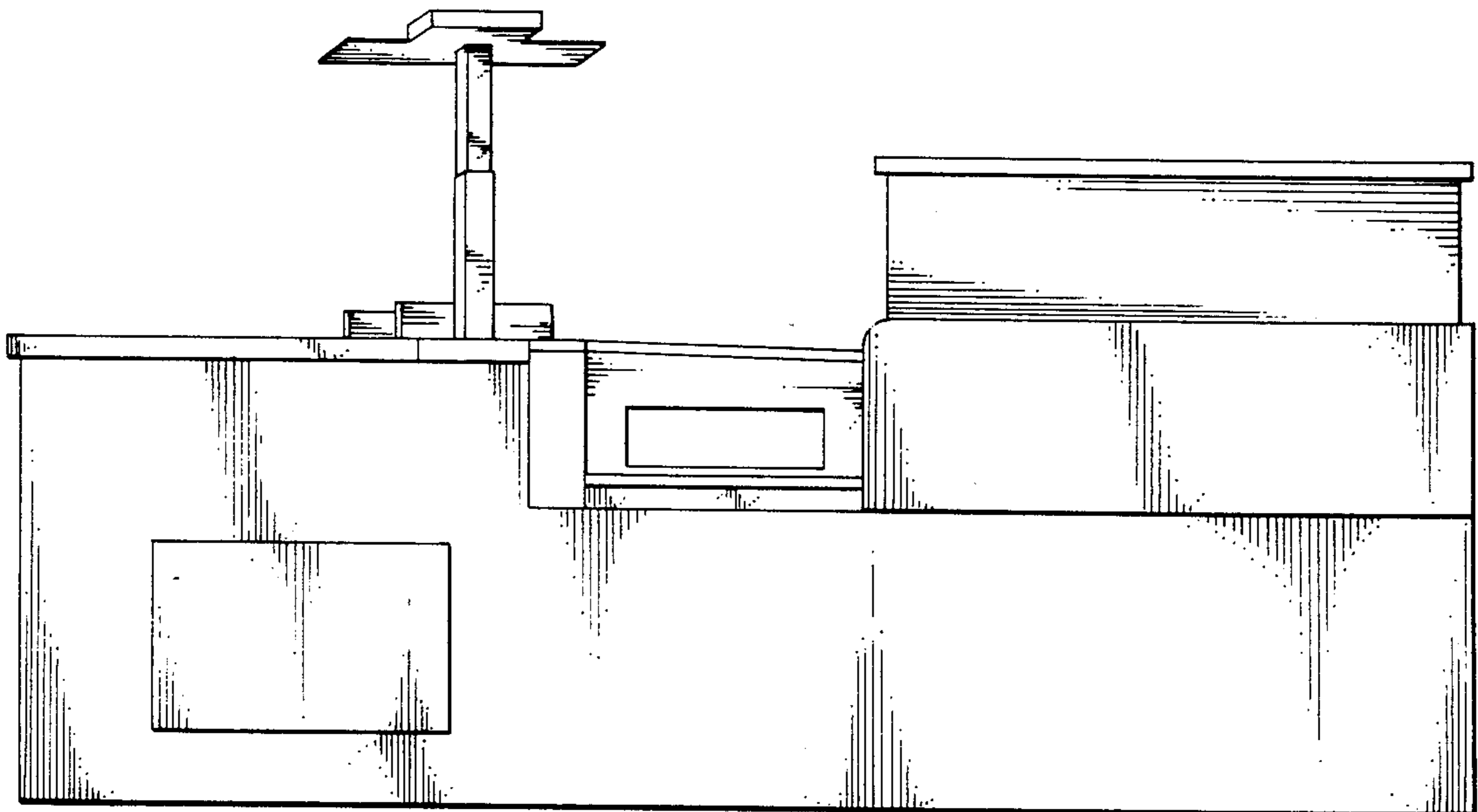


FIG. 4

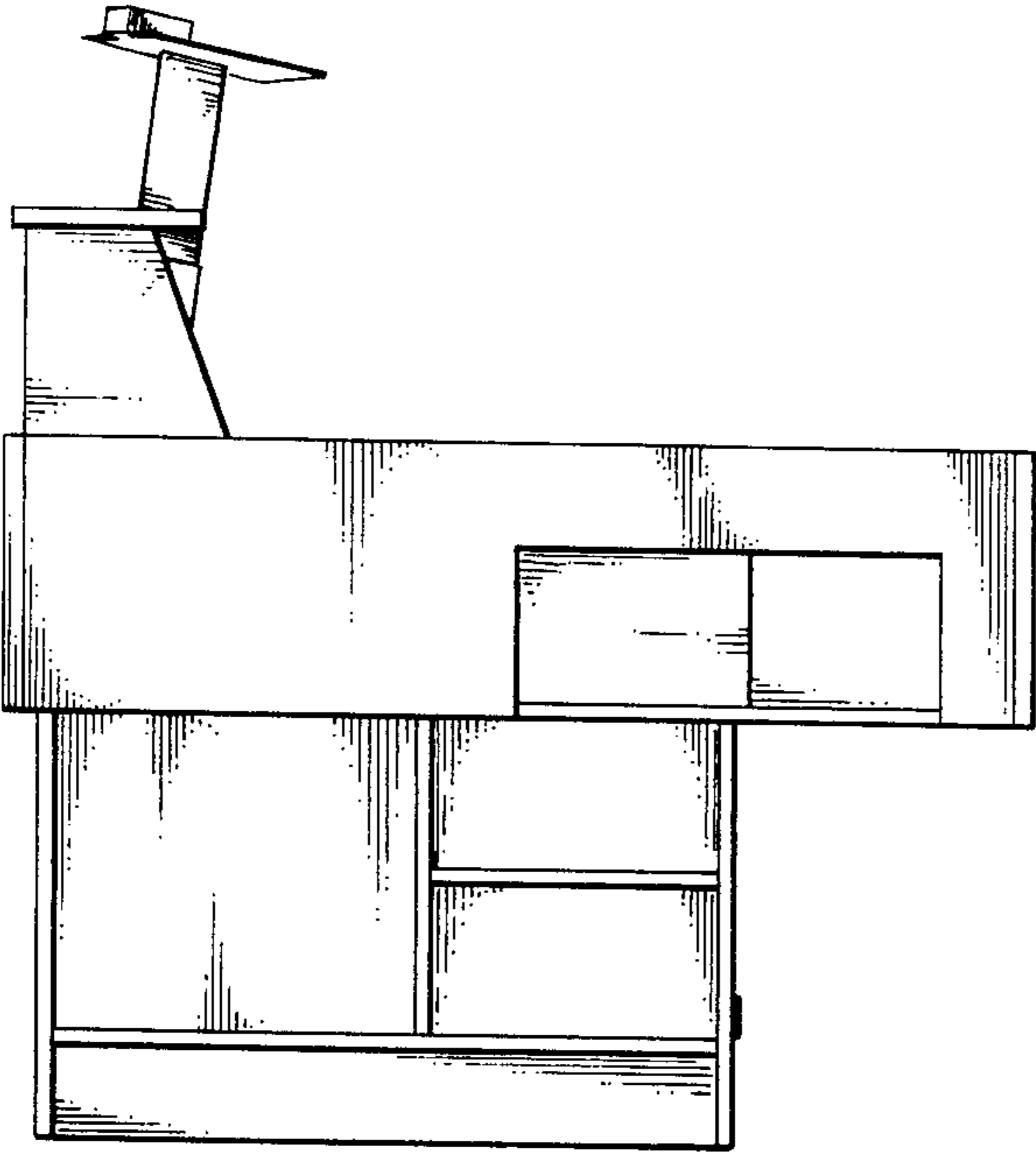


FIG. 5

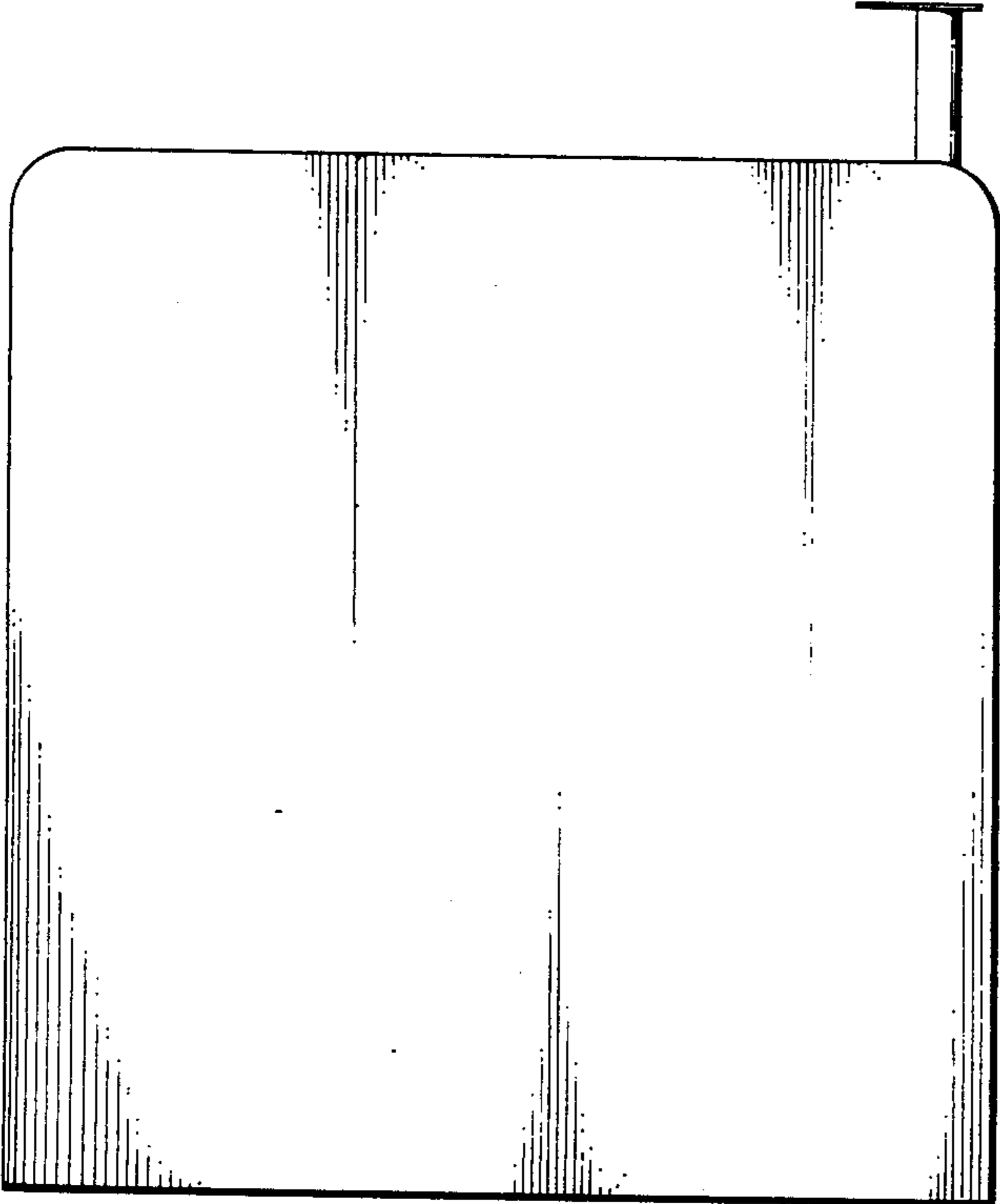


FIG. 7

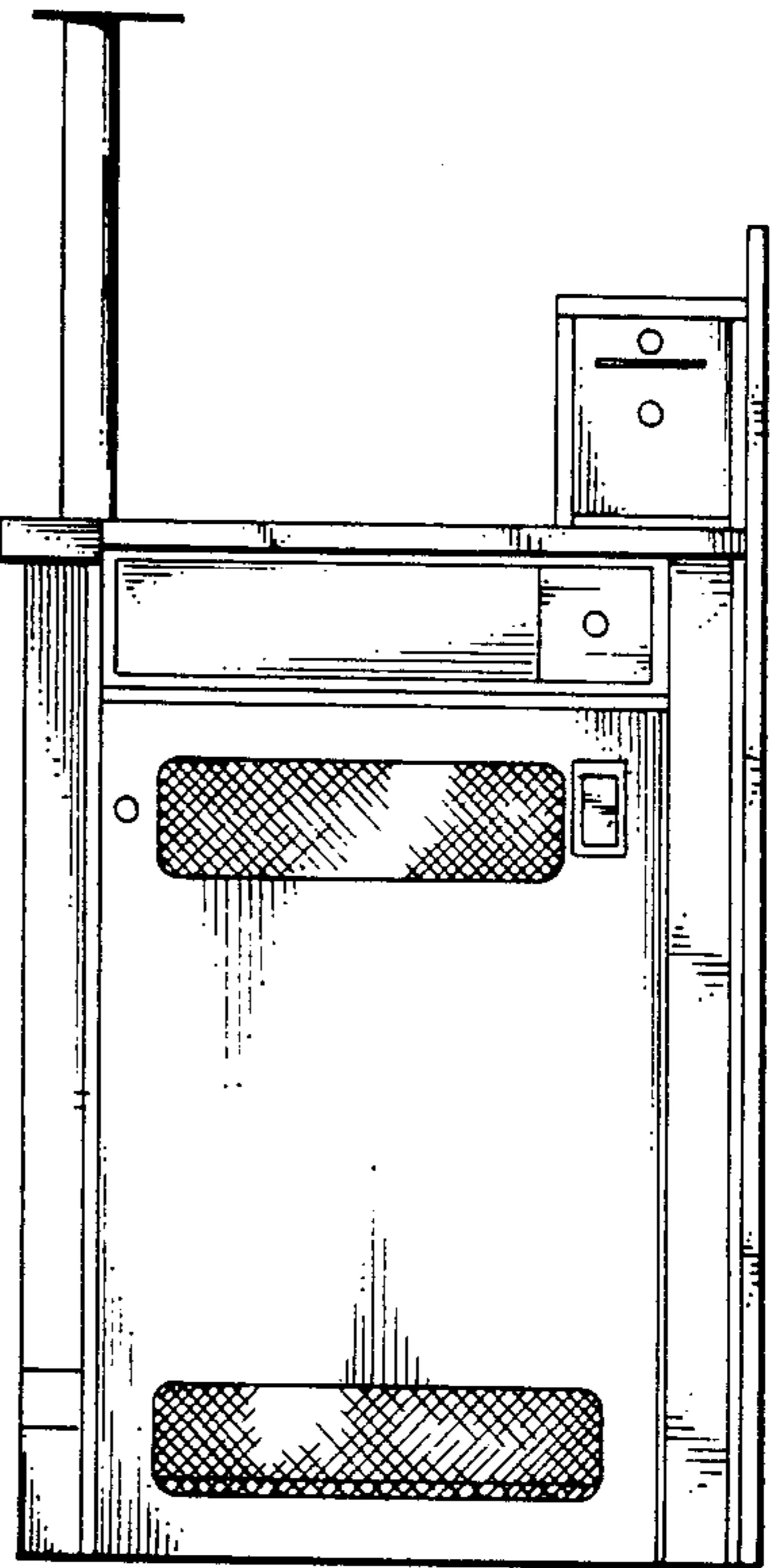


FIG. 6

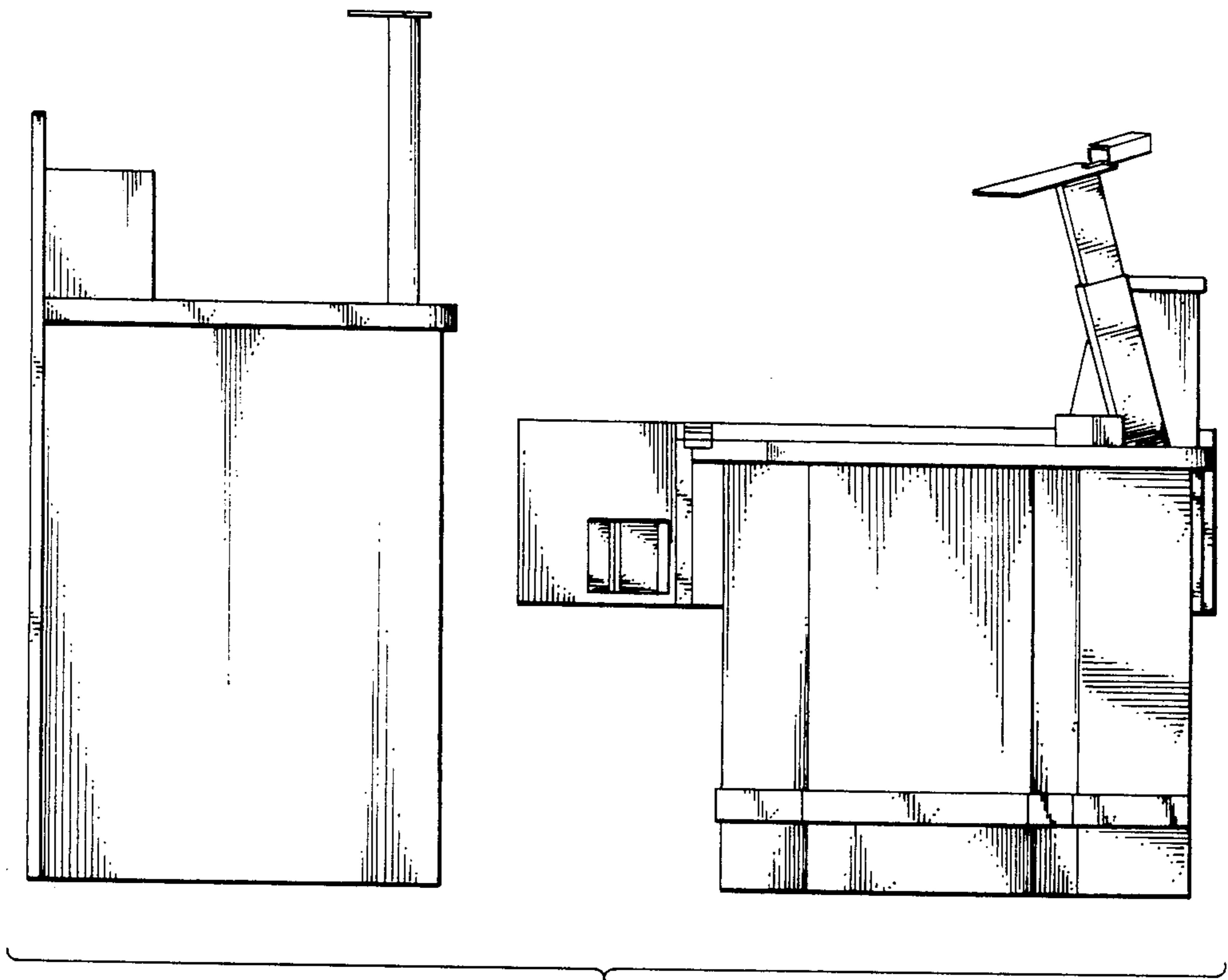


FIG. 8

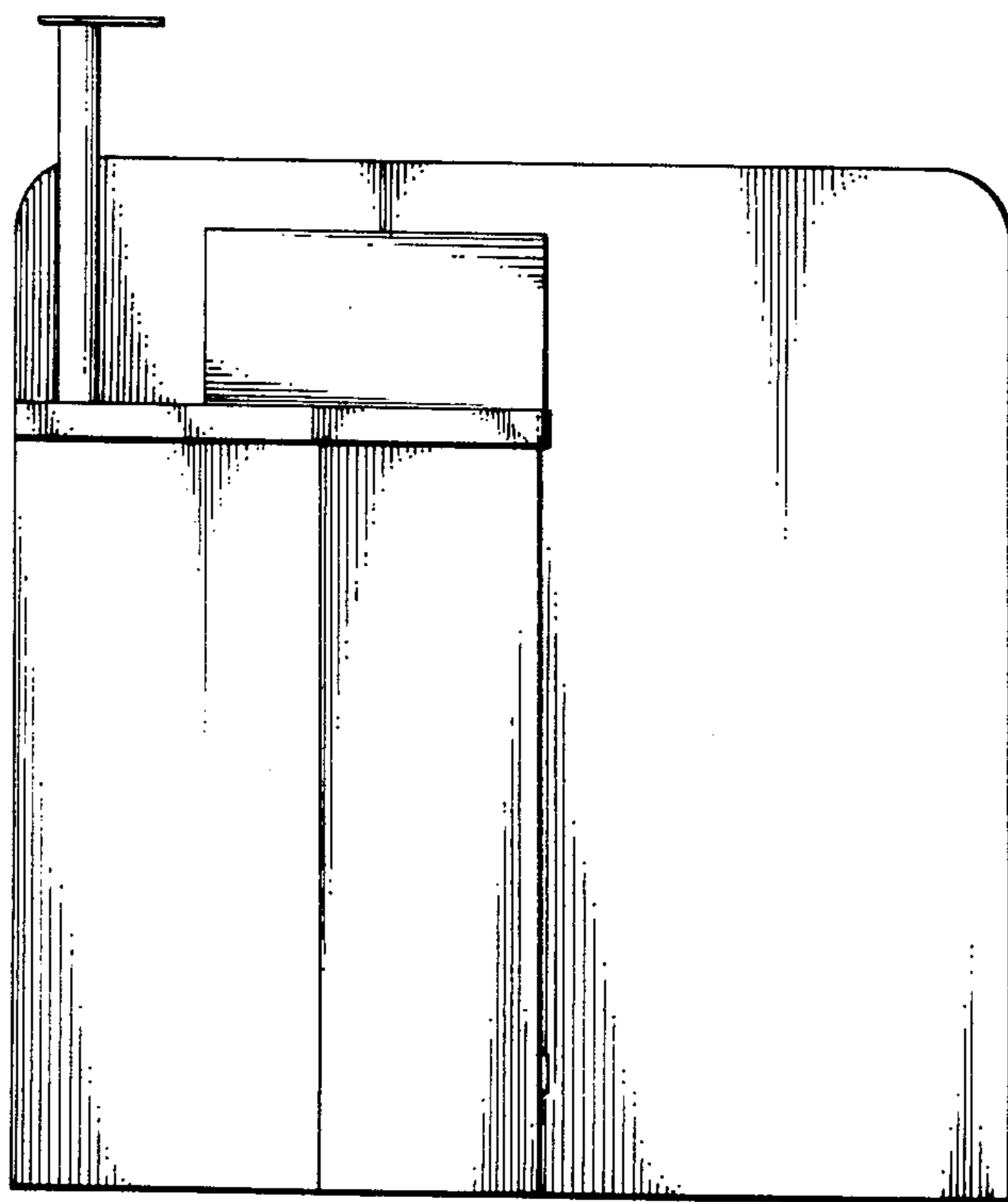


FIG. 9