

[54] CHAIR

D. 240,483 7/1976 Sklaroff ..... D6/69

[76] Inventor: Steven Douglas Gageby, 12 Hay Camp Rd., North Oaks, Minn. 55110

Primary Examiner—Bruce W. Dunkins

[\*\*] Term: 14 Years

[57] CLAIM

The ornamental design for a chair, as shown.

[21] Appl. No.: 677,616

DESCRIPTION

[22] Filed: Apr. 16, 1976

FIG. 1 is a side elevation view of a chair showing my new design, the undisclosed side being substantially identical with the side shown;

[51] Int. Cl. .... D6—01

FIG. 2 is a front elevation view thereof;

[52] U.S. Cl. .... D6/67; D6/69; D6/73

FIG. 3 is a rear elevation view thereof;

[58] Field of Search ..... D6/20, 26, 30, 31, 35, D6/36, 47, 65, 66, 67, 69, 70, 73, 78; 297/463

FIG. 4 is a top view thereof;

FIG. 5 is an enlarged cross-section taken on line 5—5 of FIG. 1;

[56] References Cited

FIG. 6 is a second embodiment of FIG. 1, the frame is shown in circular cross-section;

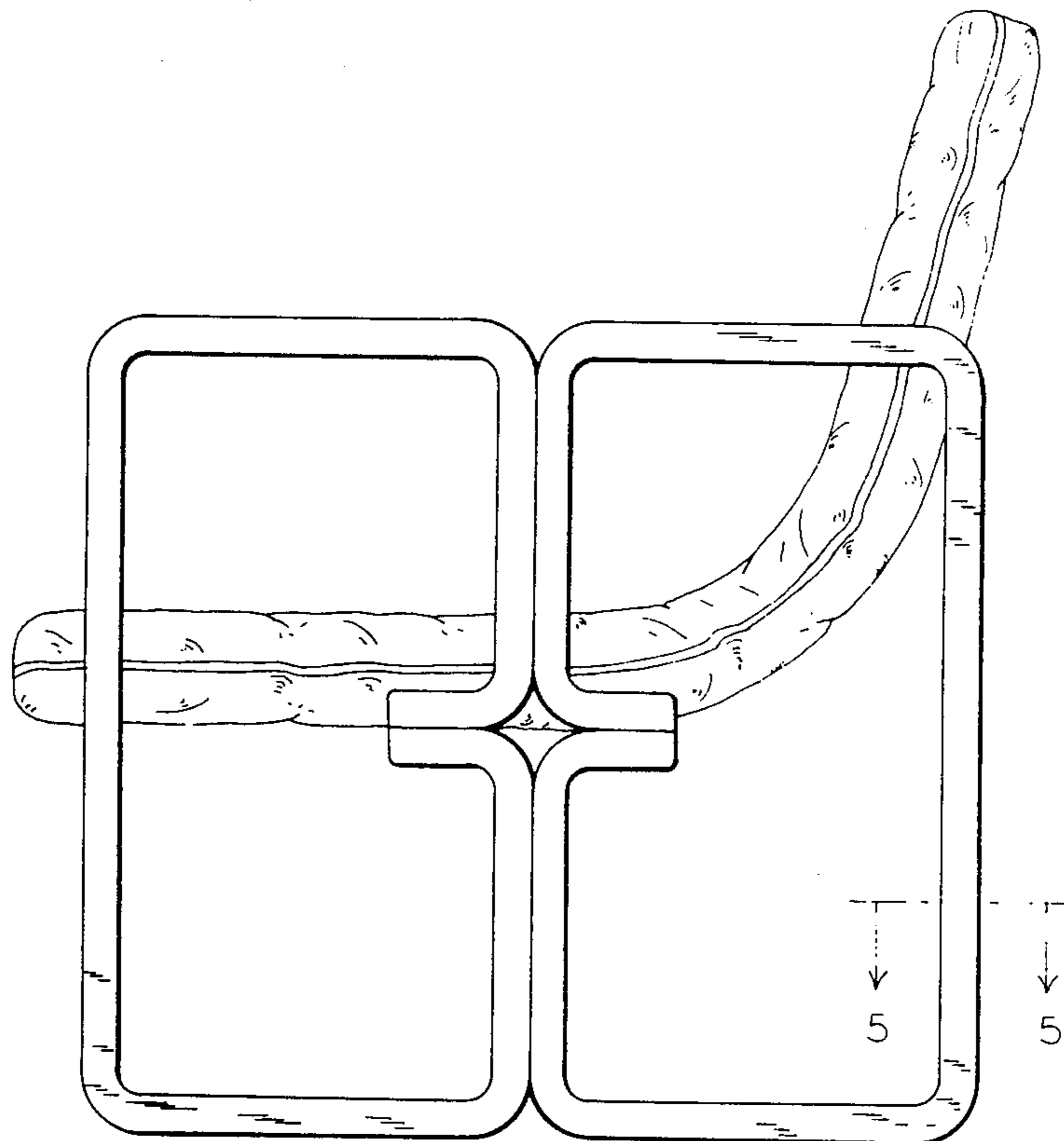
U.S. PATENT DOCUMENTS

FIG. 7 is a third embodiment of FIG. 1, frame shown in circular cross-section;

D. 226,747	4/1973	Koepke	.....	D6/69 X
D. 236,394	8/1975	Hoshall et al.	.....	D6/38
D. 237,847	12/1975	Sklaroff	.....	D6/69
D. 238,636	2/1976	Olson et al.	.....	D6/63 X

FIG. 8 is a fourth embodiment of FIG. 1, frame shown in circular cross-section;

FIG. 9 is a cross-section taken on line 9—9 of FIG. 2.



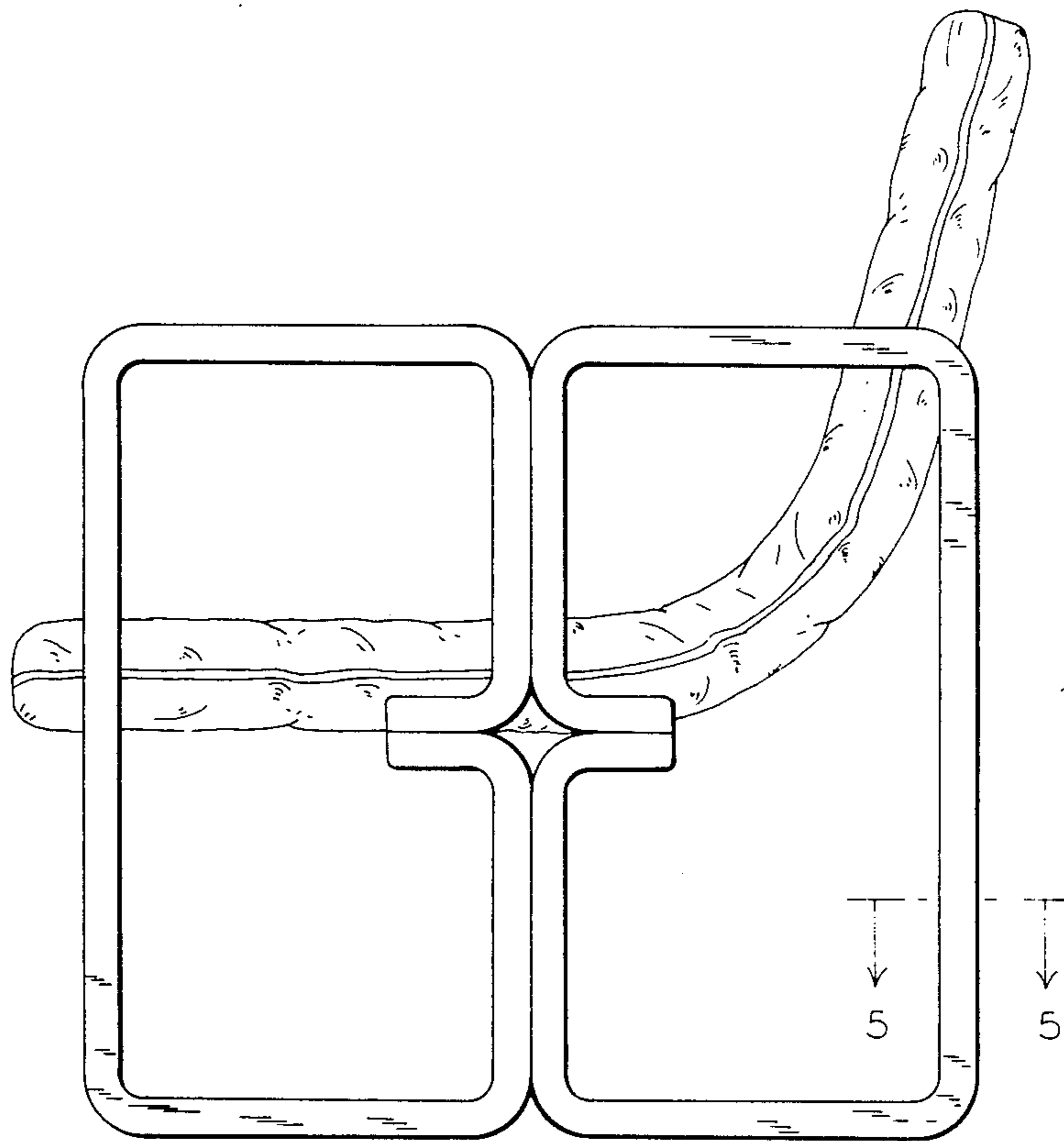


FIG. 1

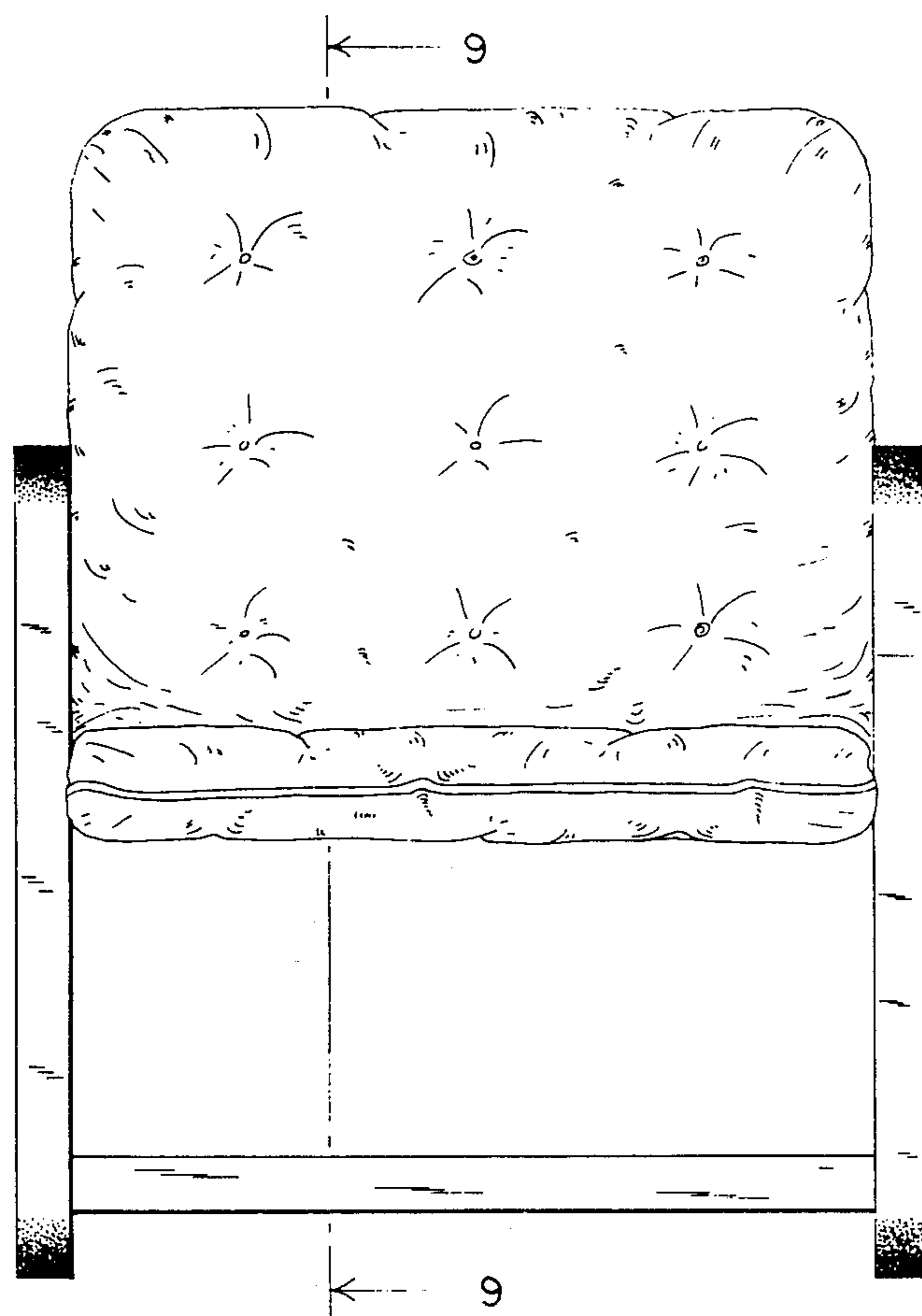


FIG. 2

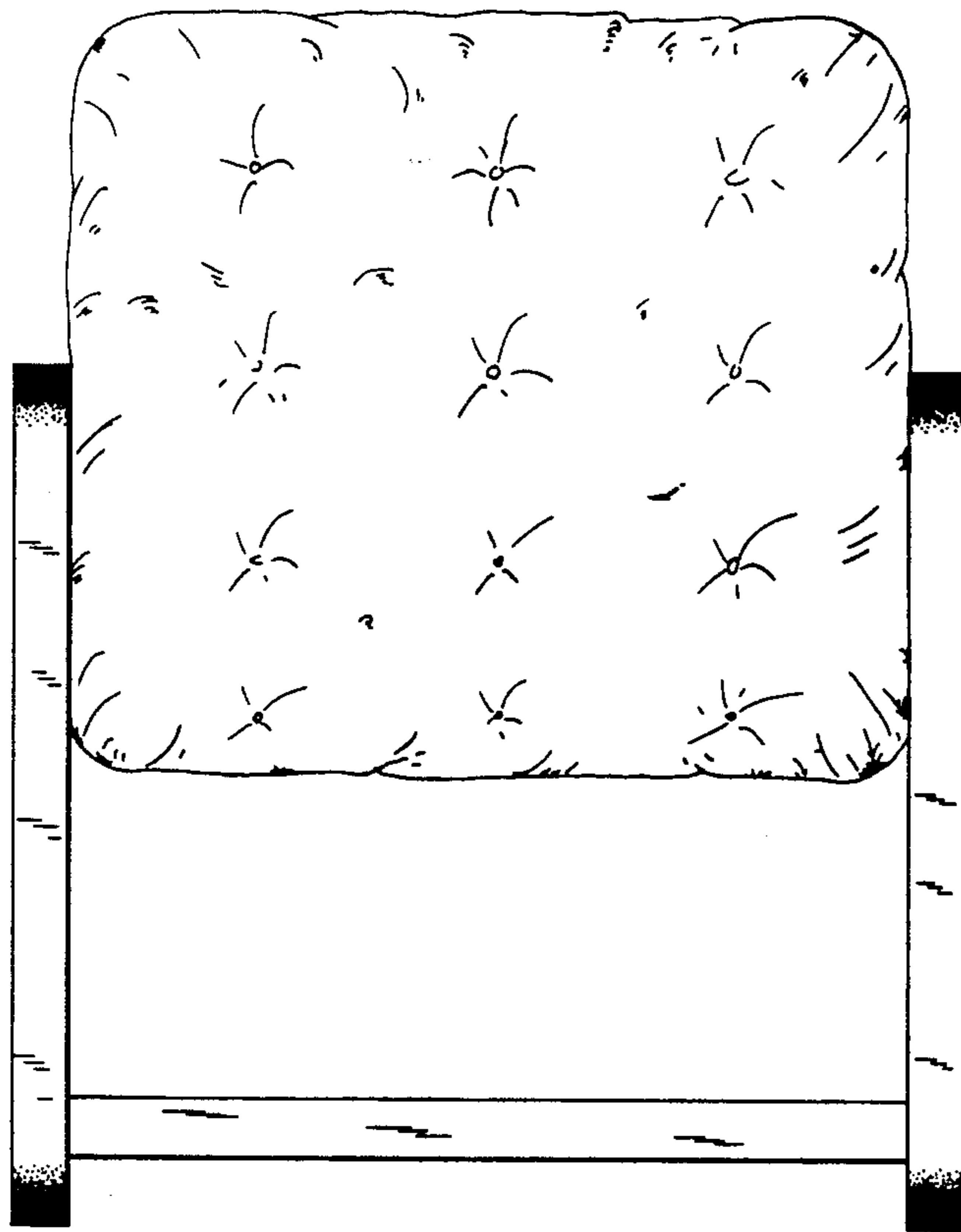


FIG. 3

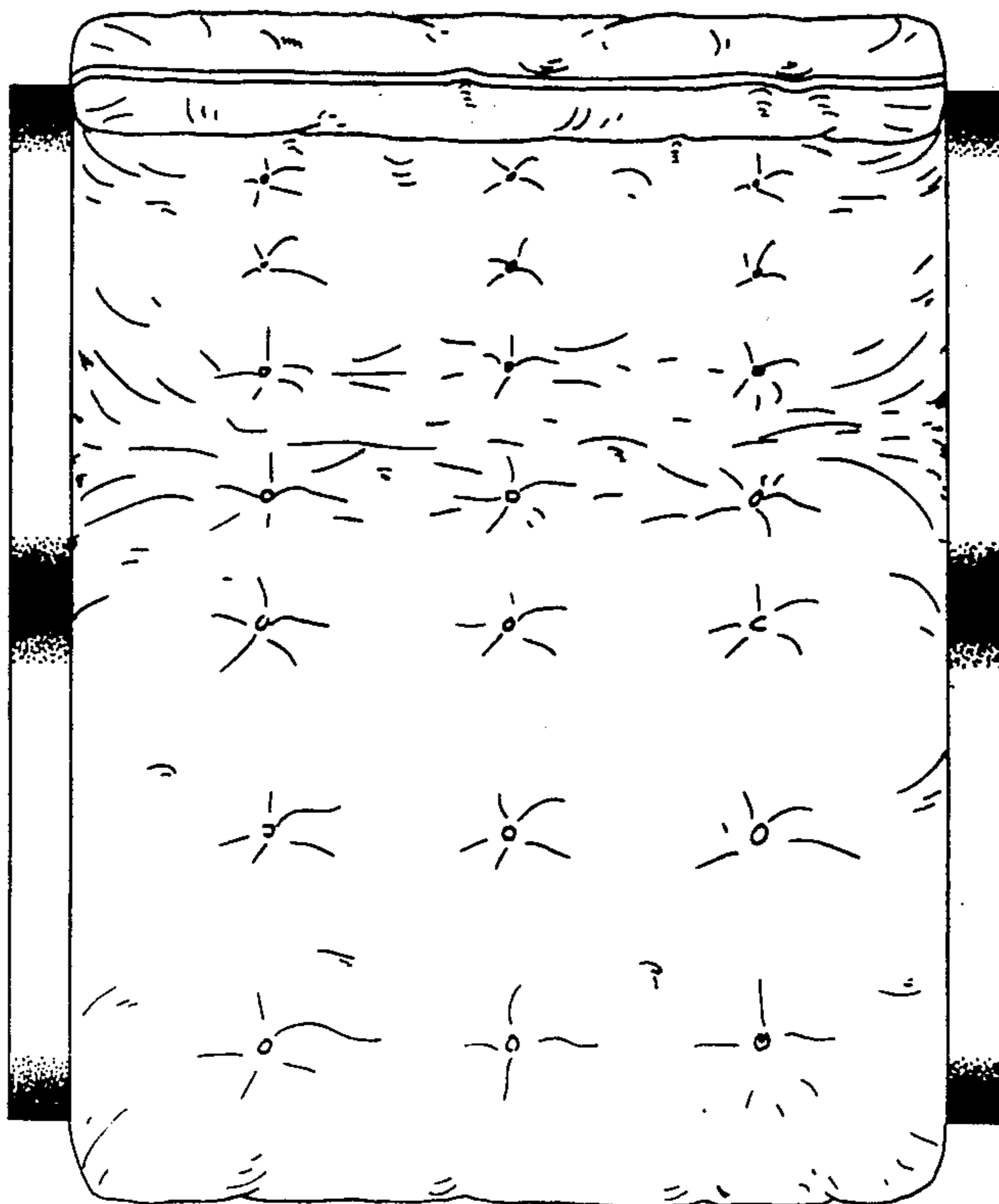


FIG. 4

FIG. 5

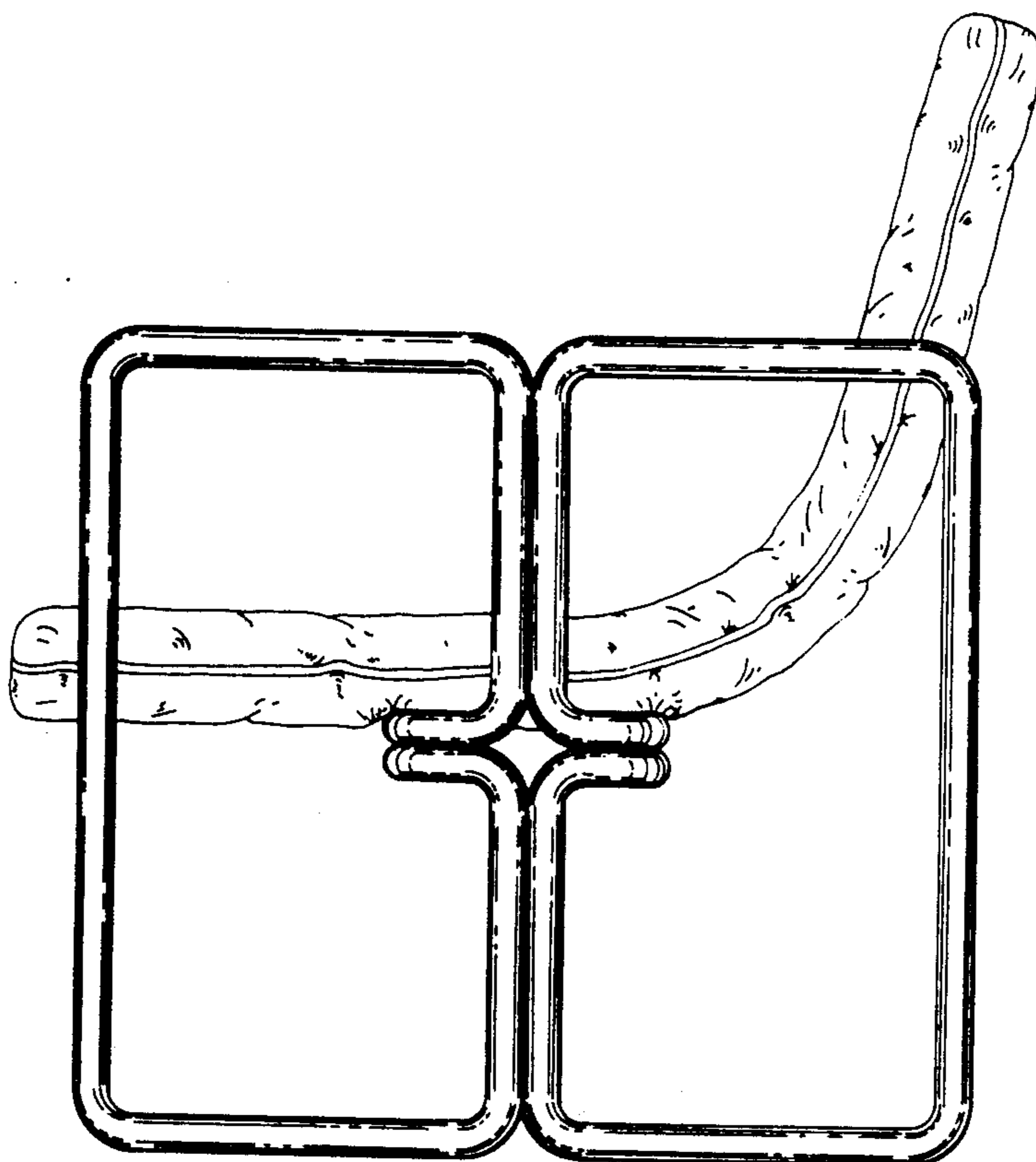
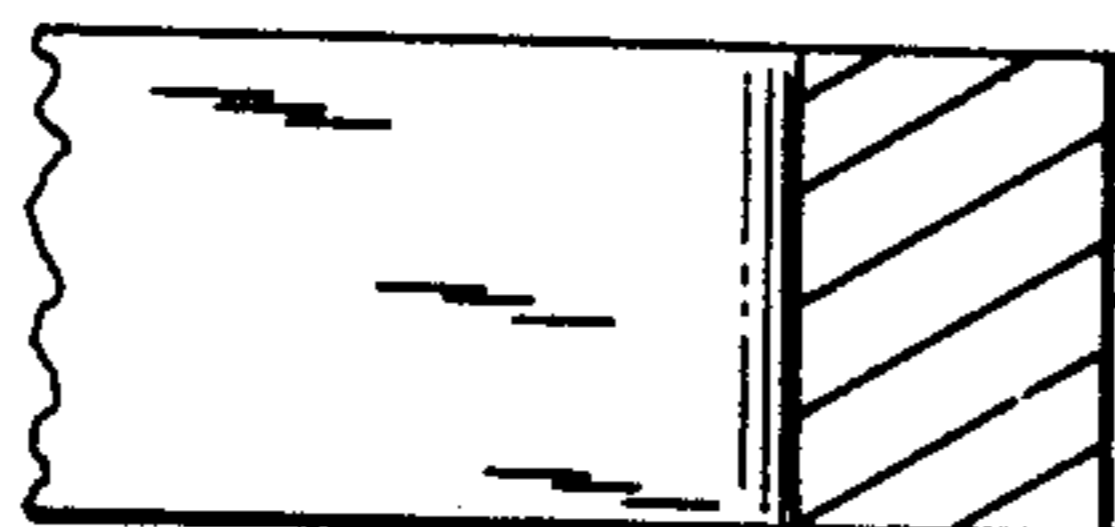


FIG. 6

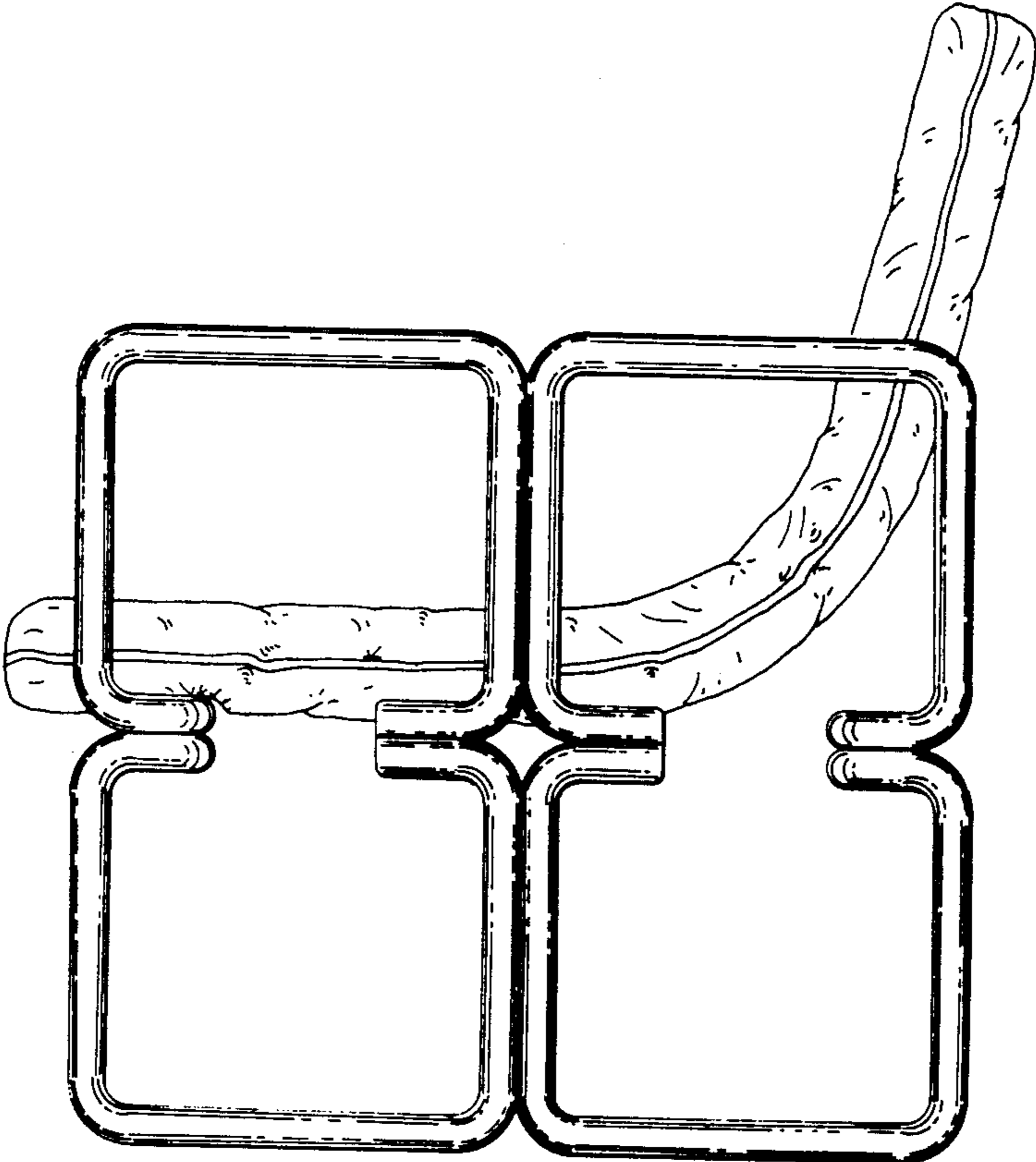


FIG. 7

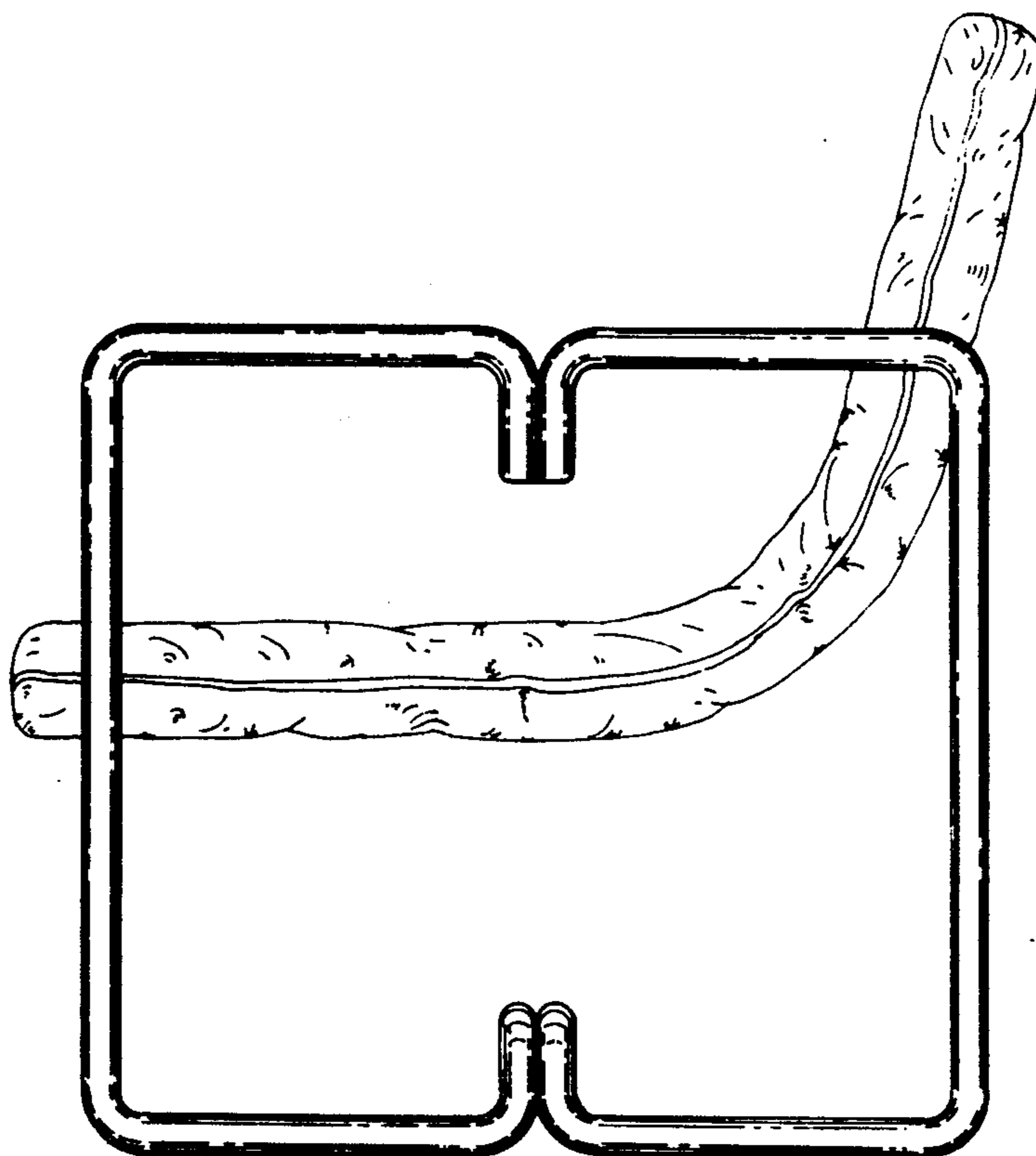


FIG. 8

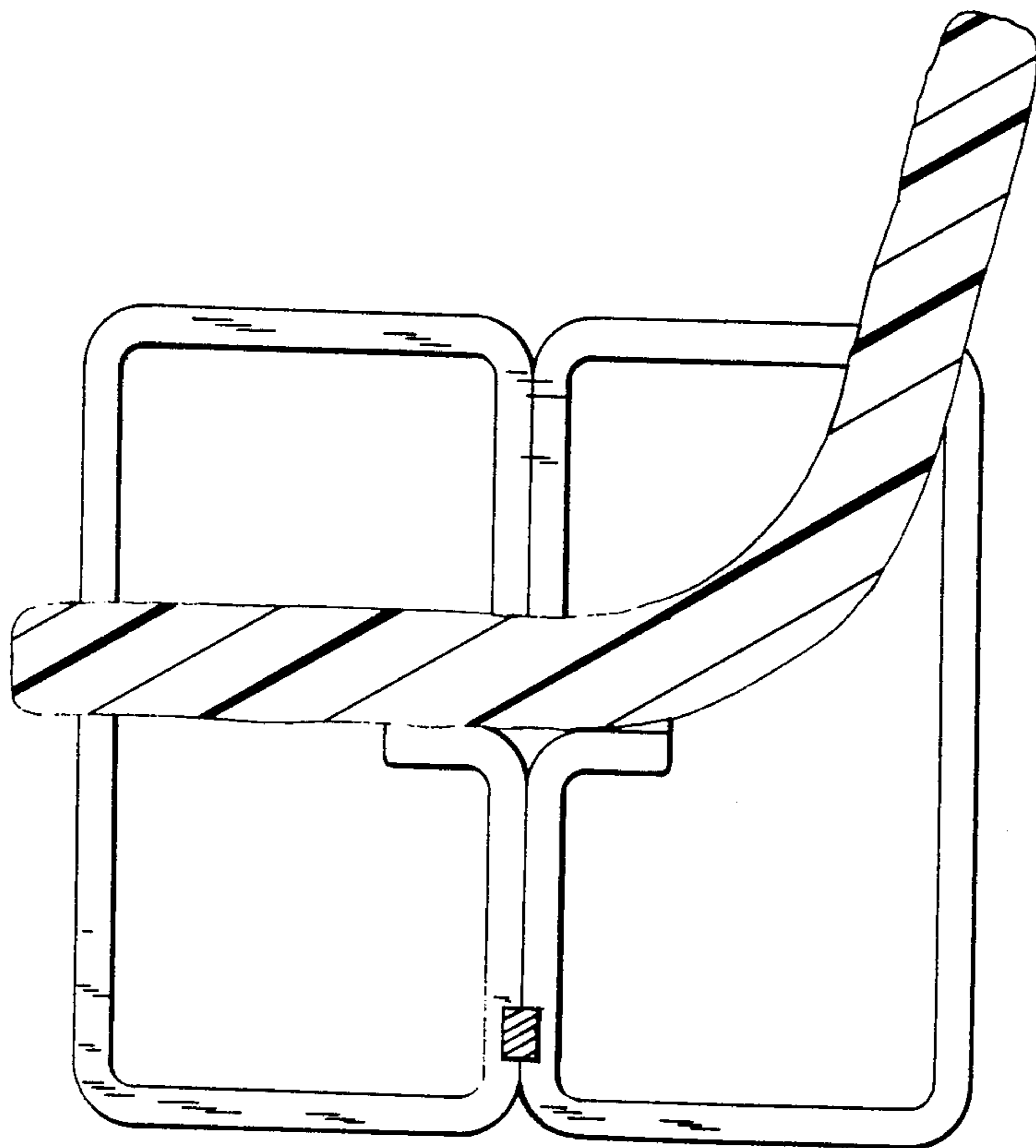


FIG. 9