

[54] WHEELED TOY AND FIGURE THEREFOR

[56]

References Cited

[75] Inventor: Andrew I. Bergman, East Aurora, N.Y.

D. 141,174 5/1945 Jones D34/15 AJ
3,671,055 6/1972 Aarup 280/87.01

U.S. PATENT DOCUMENTS

[73] Assignee: The Quaker Oats Company, Chicago, Ill.

OTHER PUBLICATIONS

J. C. Penney, Xmas. 1975, Catalog, p. 338, Toy Figures at Item 6.

[**] Term: 14 Years

Primary Examiner—Joel Stearman
Assistant Examiner—C. A. Rademaker
Attorney, Agent, or Firm—George W. Shaw

[21] Appl. No.: 737,176

[57] CLAIM

The ornamental design for a wheeled toy and figure therefor, substantially as shown.

[22] Filed: Oct. 29, 1976

DESCRIPTION

[51] Int. Cl. D21—01

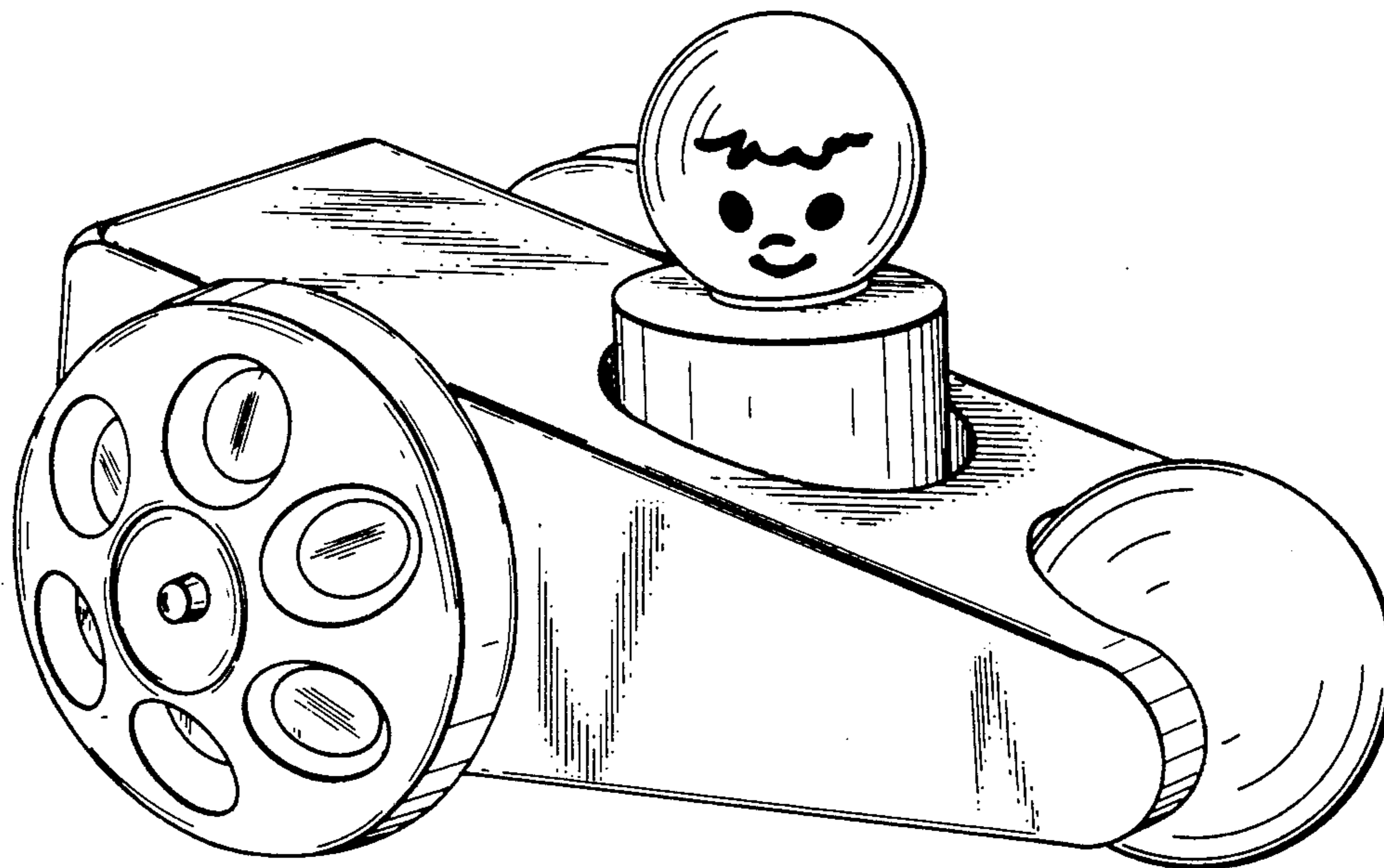
FIG. 1 is a front perspective view of a wheeled toy and figure therefor showing my new design;

[52] U.S. Cl. D34/15 AN; D34/15 AJ

FIG. 2 is a left-side elevational view thereof shown on a reduced scale;

[58] Field of Search D34/15 AJ, 15 AM, 15 AT,
D34/15 AN; 46/201, 202, 206, 210, 213;
280/87.01, 87.02 R, 87.04 R

FIG. 3 is a rear elevational view thereof; and
FIG. 4 is a top plan view thereof.



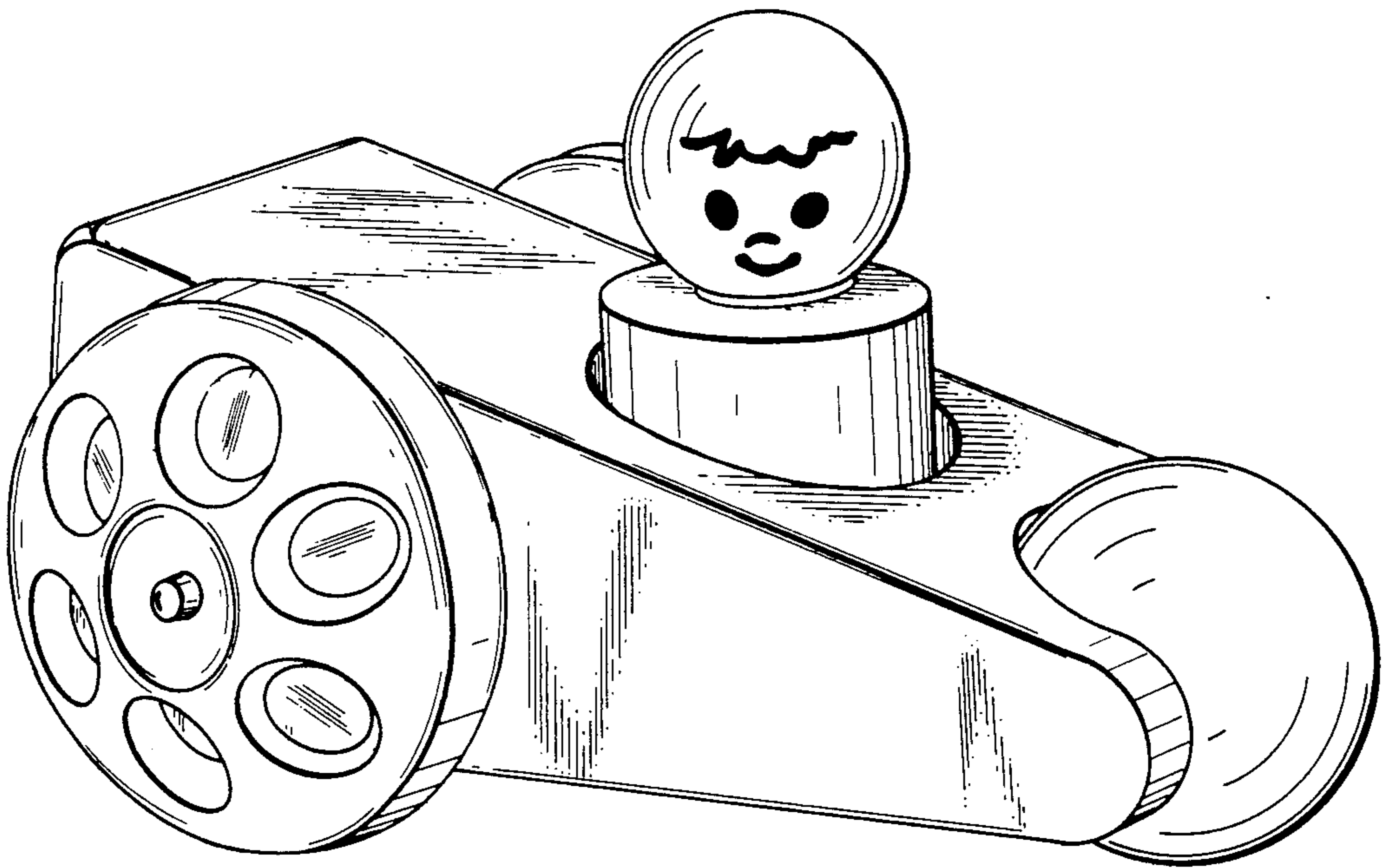


FIG. 1

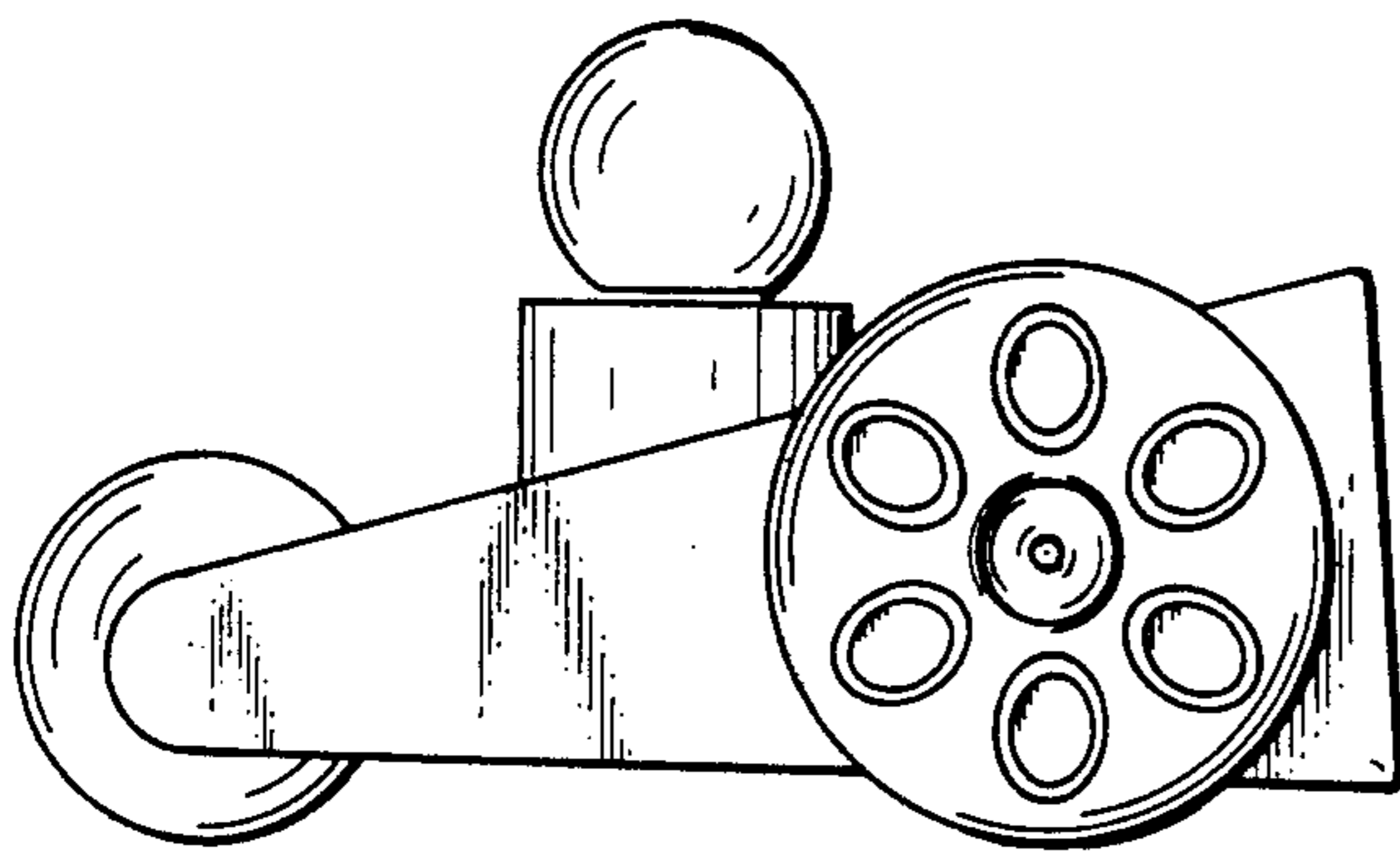


FIG. 2

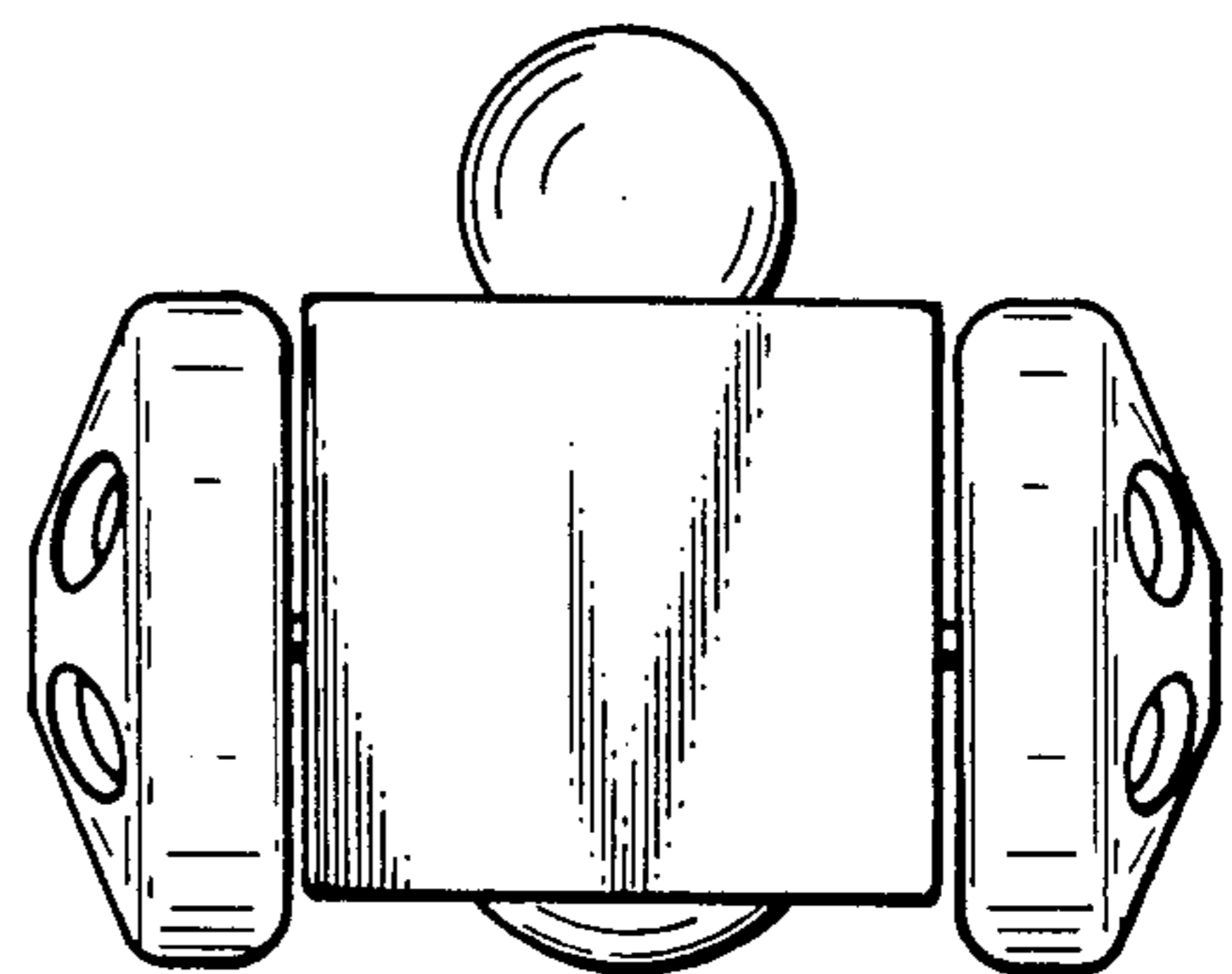


FIG. 3

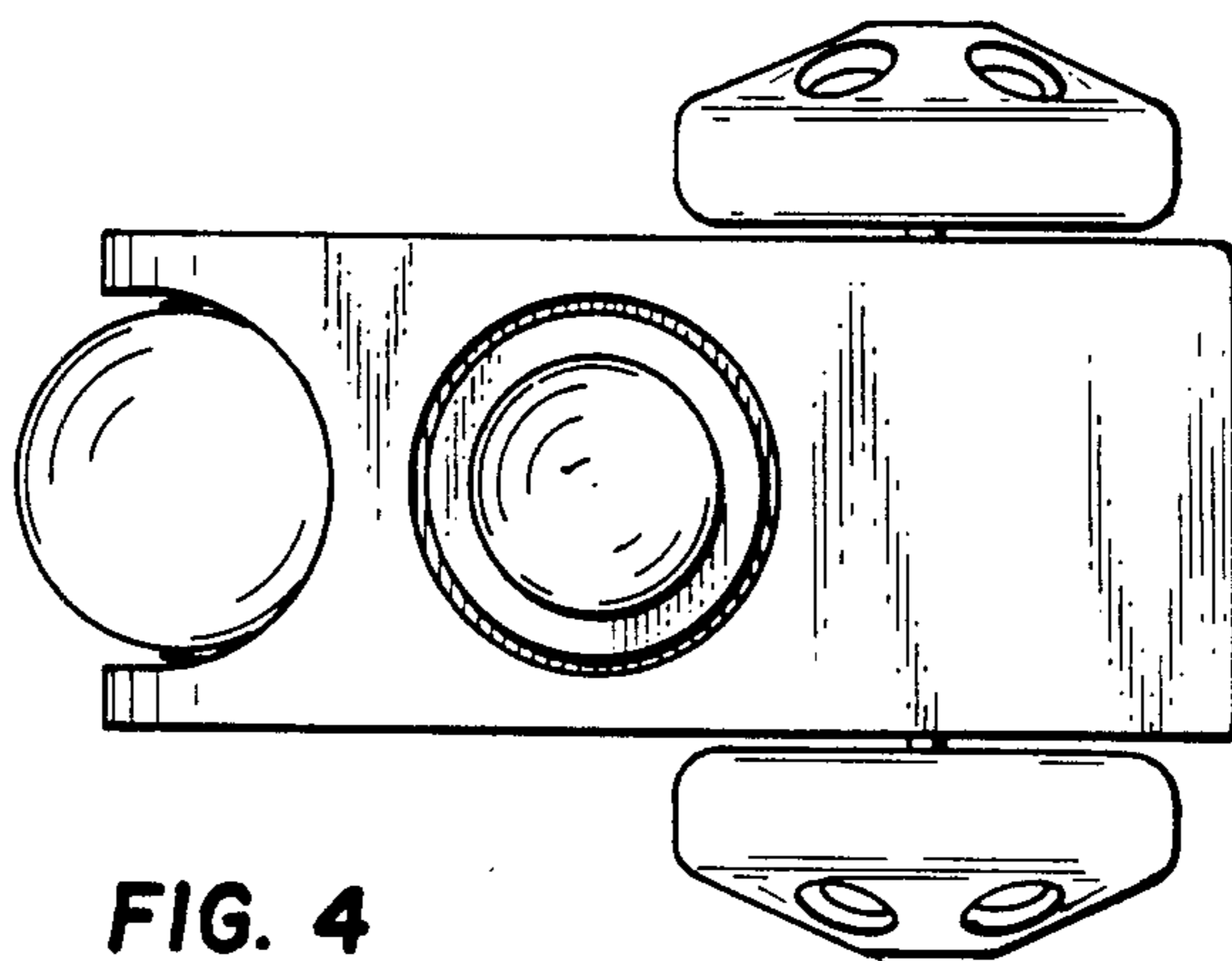


FIG. 4