

[54] PINBALL GAME CABINET
 [75] Inventor: Michael Langieri, Butler, N.J.
 [73] Assignee: Louis Marx & Co., Inc., Stamford, Conn.
 [**] Term: 14 Years
 [21] Appl. No.: 767,255
 [22] Filed: Feb. 10, 1977
 [51] Int. Cl. D21-01
 [52] U.S. Cl. D34/5 JJ
 [58] Field of Search D34/5 JJ; 273/121 R, 273/121 A

3,870,307 3/1975 Meyer et al. 273/121 A

OTHER PUBLICATIONS

F. A. O. Schwarz, Fall/Winter, 1975-1976, p. 29, item "D," Super Pinball.

Primary Examiner—Melvin B. Feifer
Attorney, Agent, or Firm—Alex Friedman

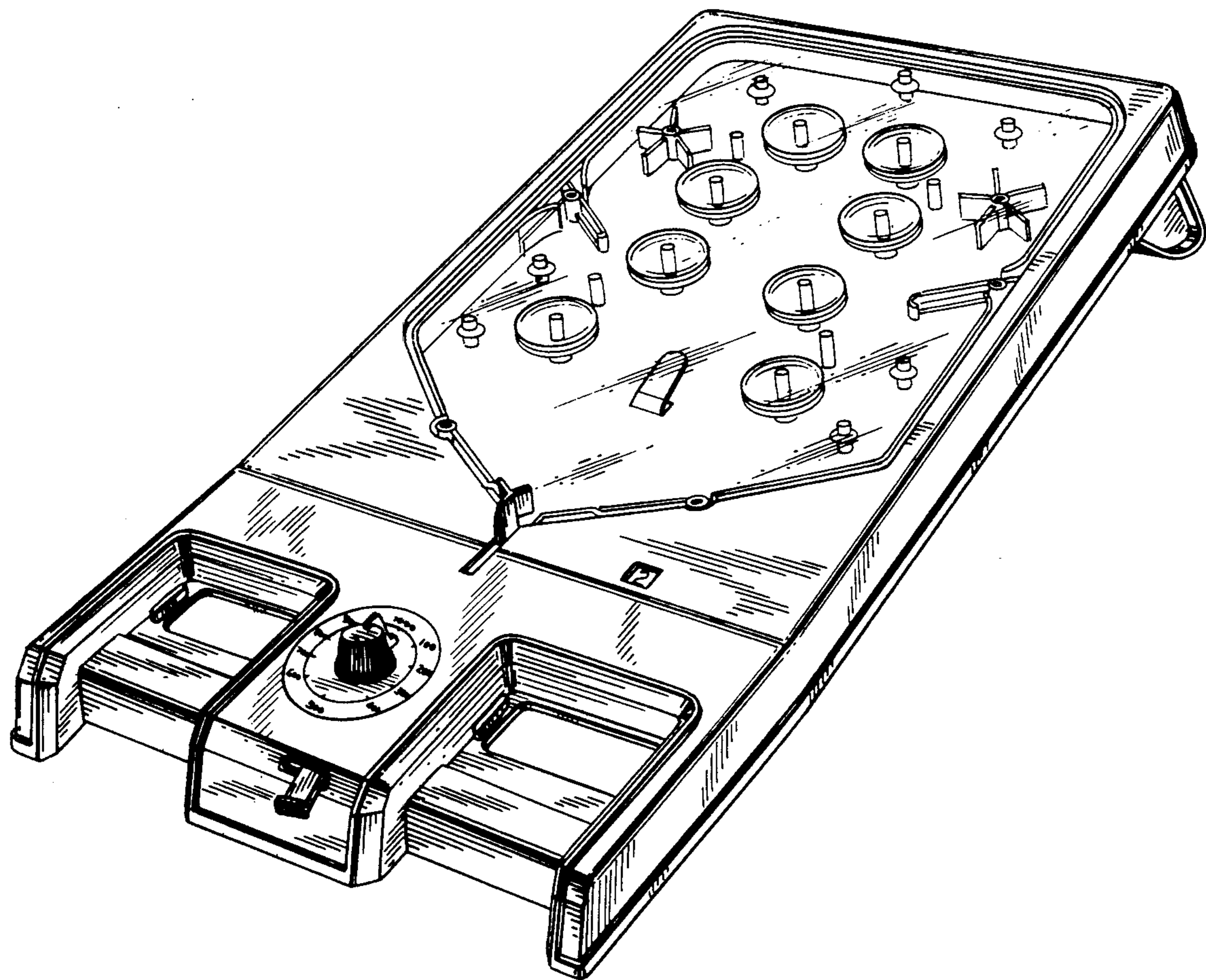
[57] CLAIM

The ornamental design for a pinball game cabinet, as shown.

DESCRIPTION

FIG. 1 is a front, top, right side perspective view of a pinball game cabinet embodying my novel design; FIG. 2 is a front elevational view thereof; FIG. 3 is a left side elevational view thereof; FIG. 4 is a rear elevational view thereof; and FIG. 5 is a bottom plan view thereof.

[56] **References Cited**
U.S. PATENT DOCUMENTS
 D. 112,686 12/1938 Williams et al. D34/5 J
 2,551,023 5/1951 Levitt 273/121 A



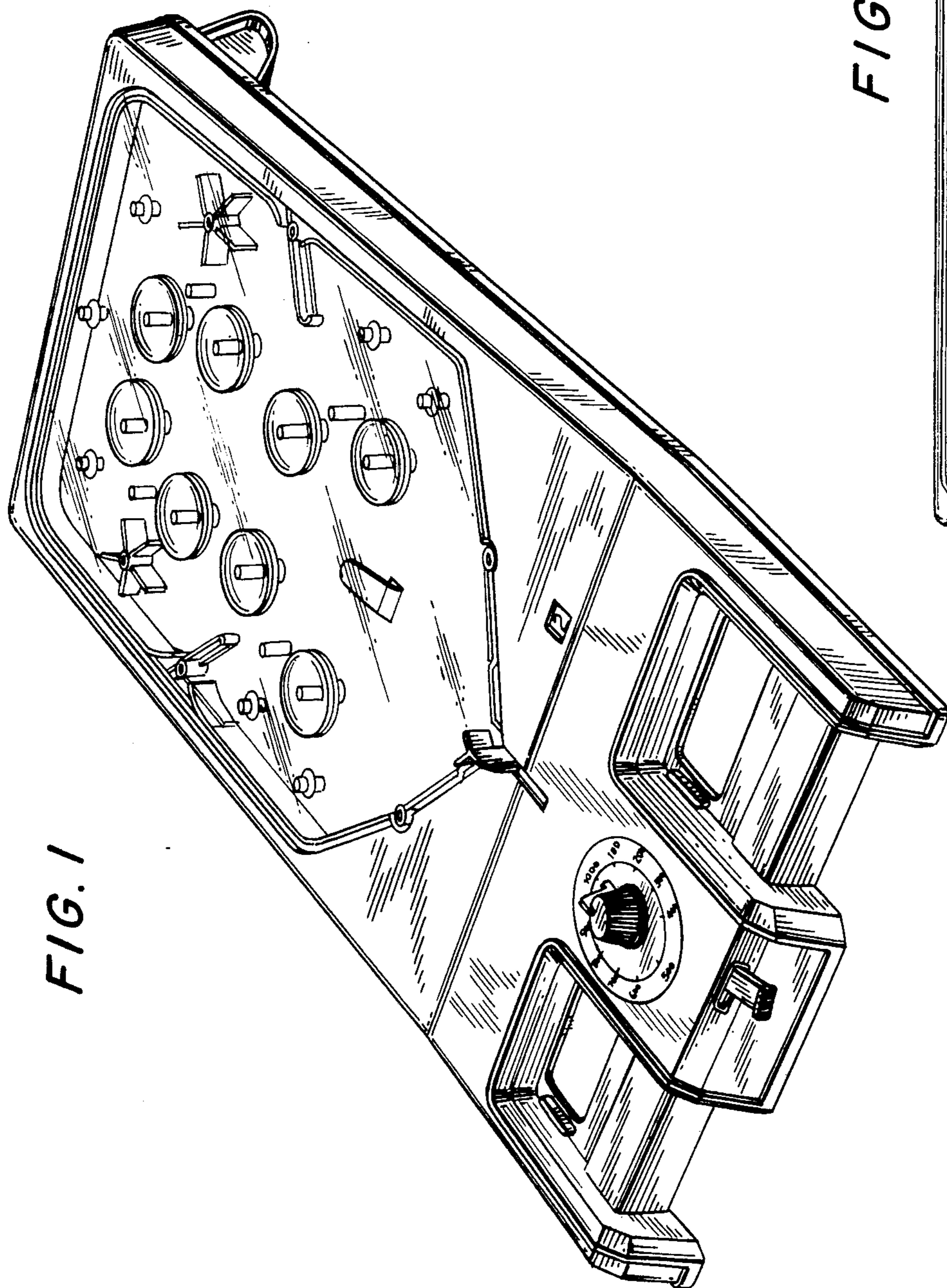


FIG. 1

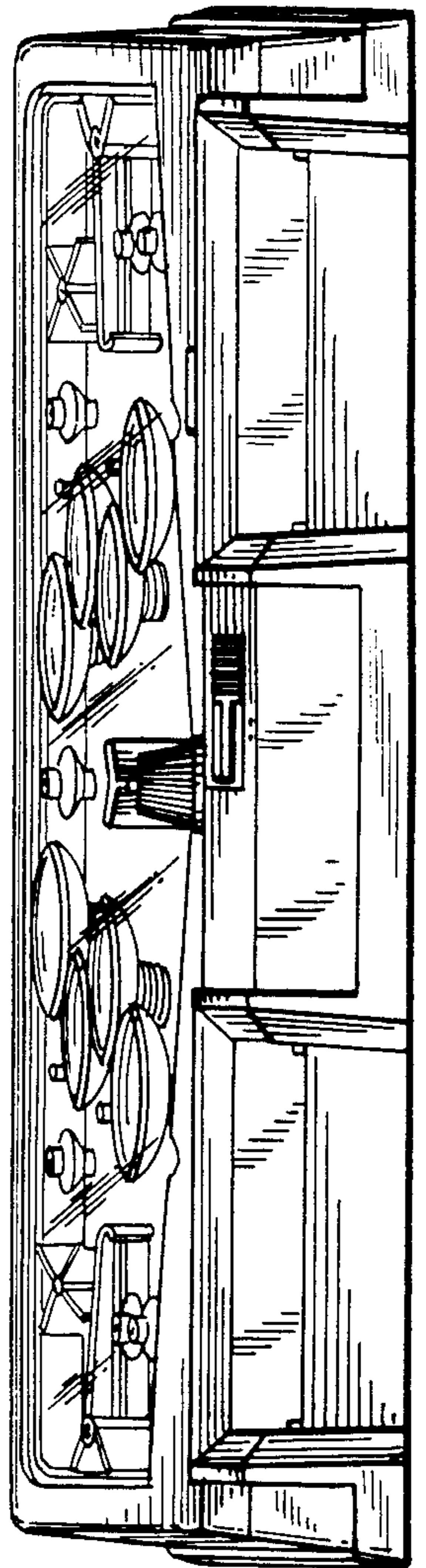


FIG. 2

FIG. 3

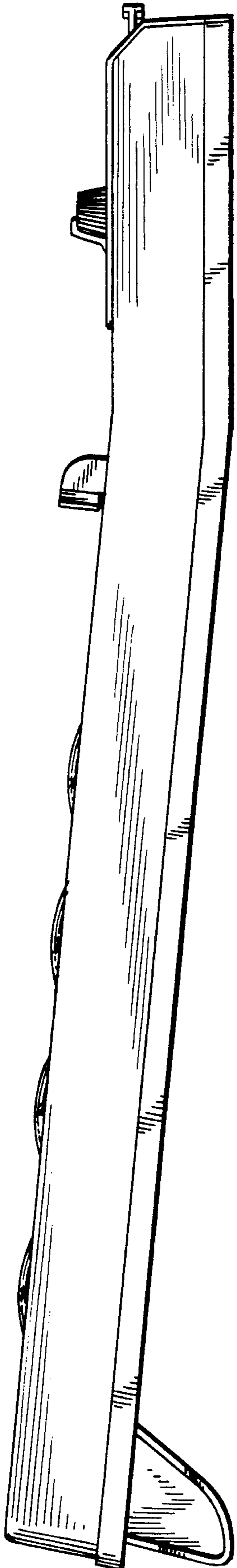


FIG. 4

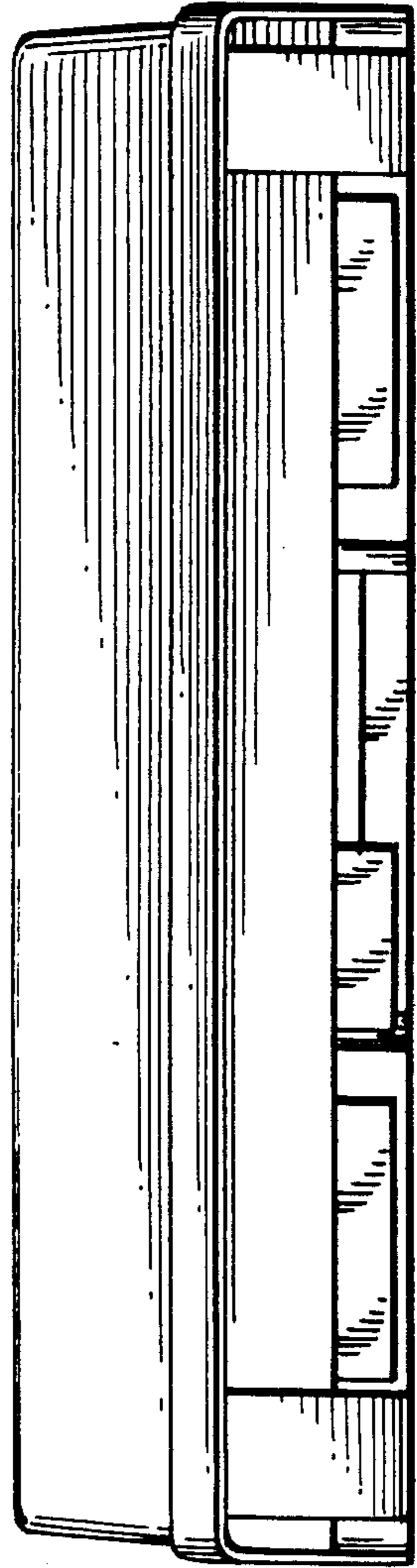


FIG. 5

