

[54] WATER PIPE

[76] Inventor: Robert W. Flesher, 628 Round Oak Rd., Towson, Md. 21204

[**] Term: 14 Years

[21] Appl. No.: 720,957

[22] Filed: Sep. 7, 1976

[51] Int. Cl. D27-02

[52] U.S. Cl. D27/03

[58] Field of Search D27/3, 5, 7; 131/170 R, 131/171 R, 173, 174, 178, 179, 191, 192, 194, 198 R, 199, 200, 213, 214, 216, 222, 226, 227

[56] References Cited

U.S. PATENT DOCUMENTS

848,424	3/1907	Abizaid	131/173
1,967,438	7/1934	Hartzes	131/173

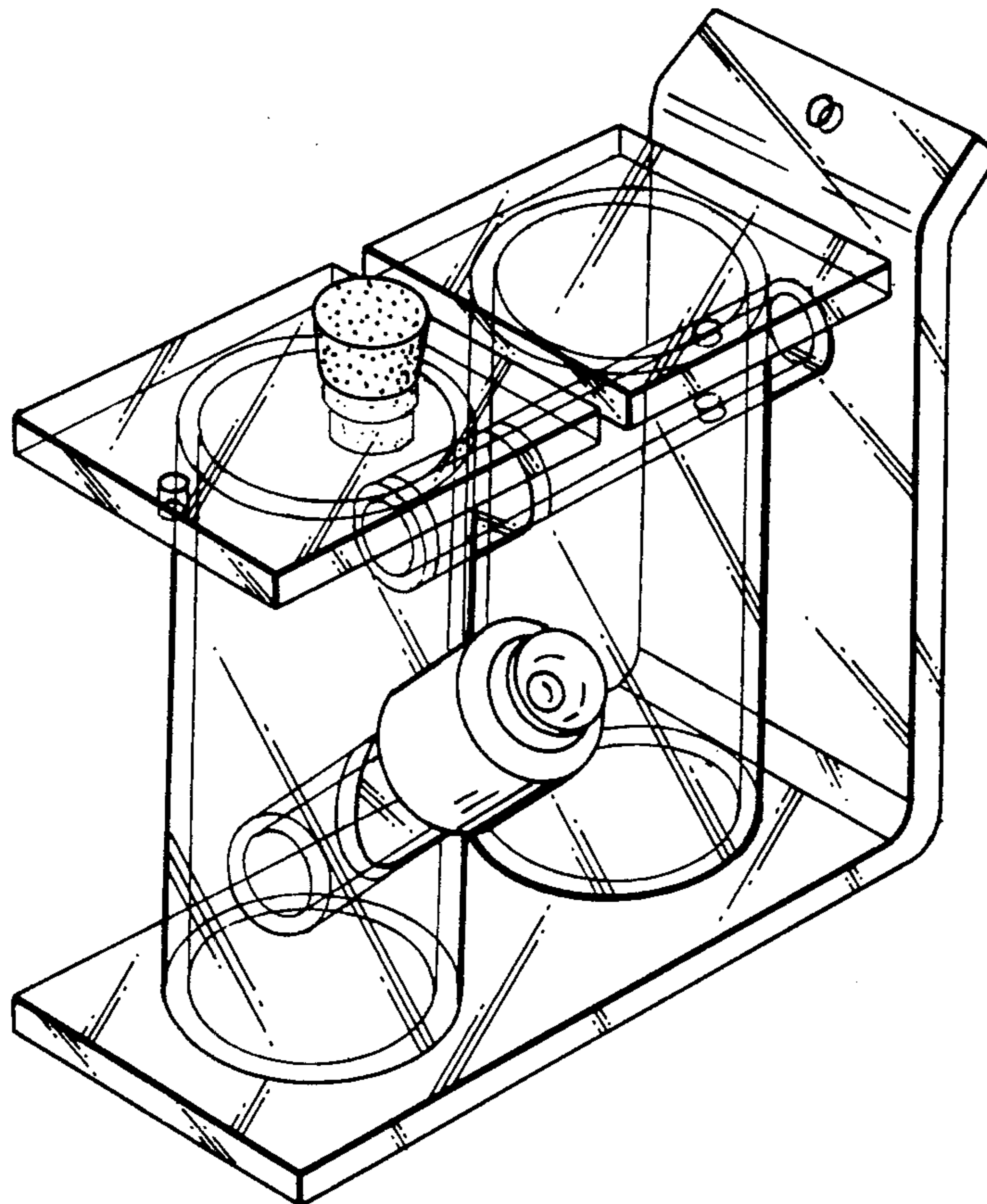
Primary Examiner—Wallace R. Burke
Assistant Examiner—Catherine Kemper
Attorney, Agent, or Firm—John F. McClellan, Sr.

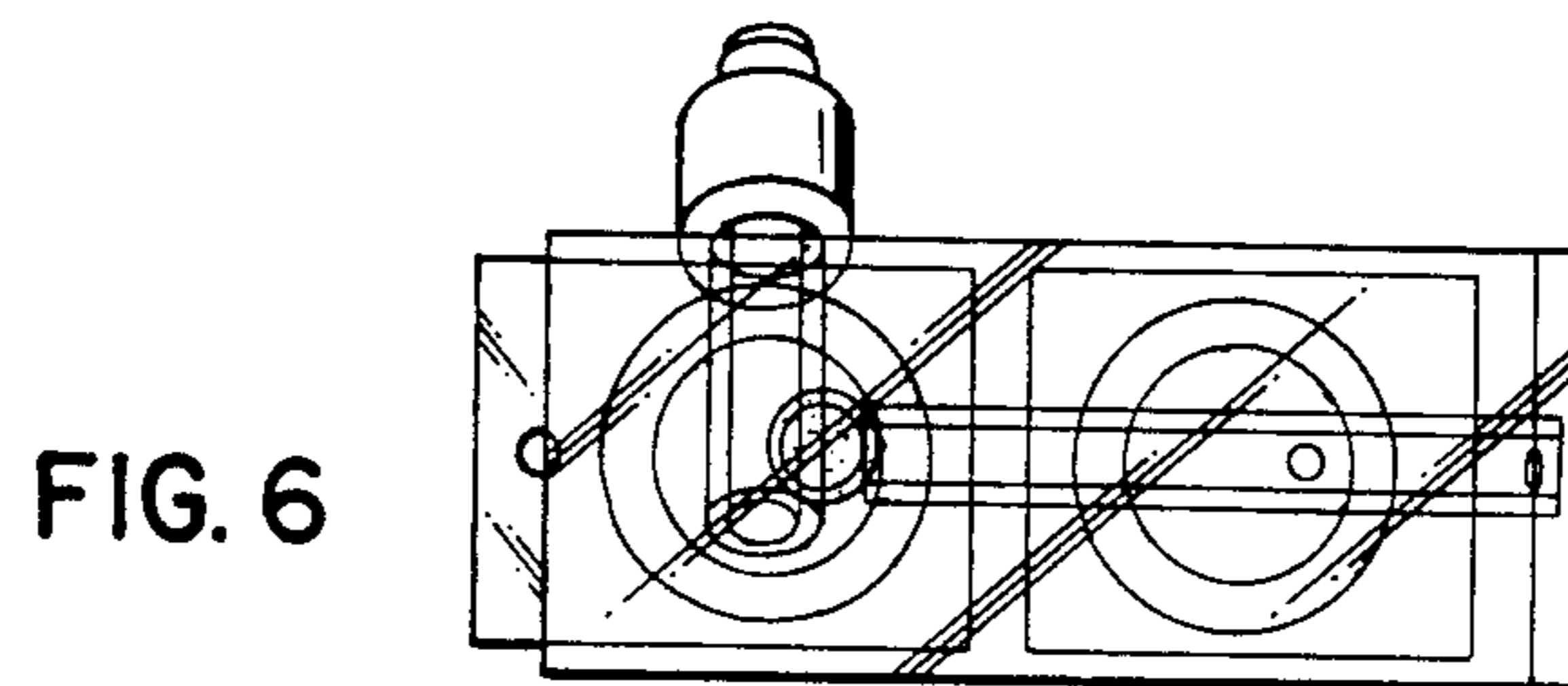
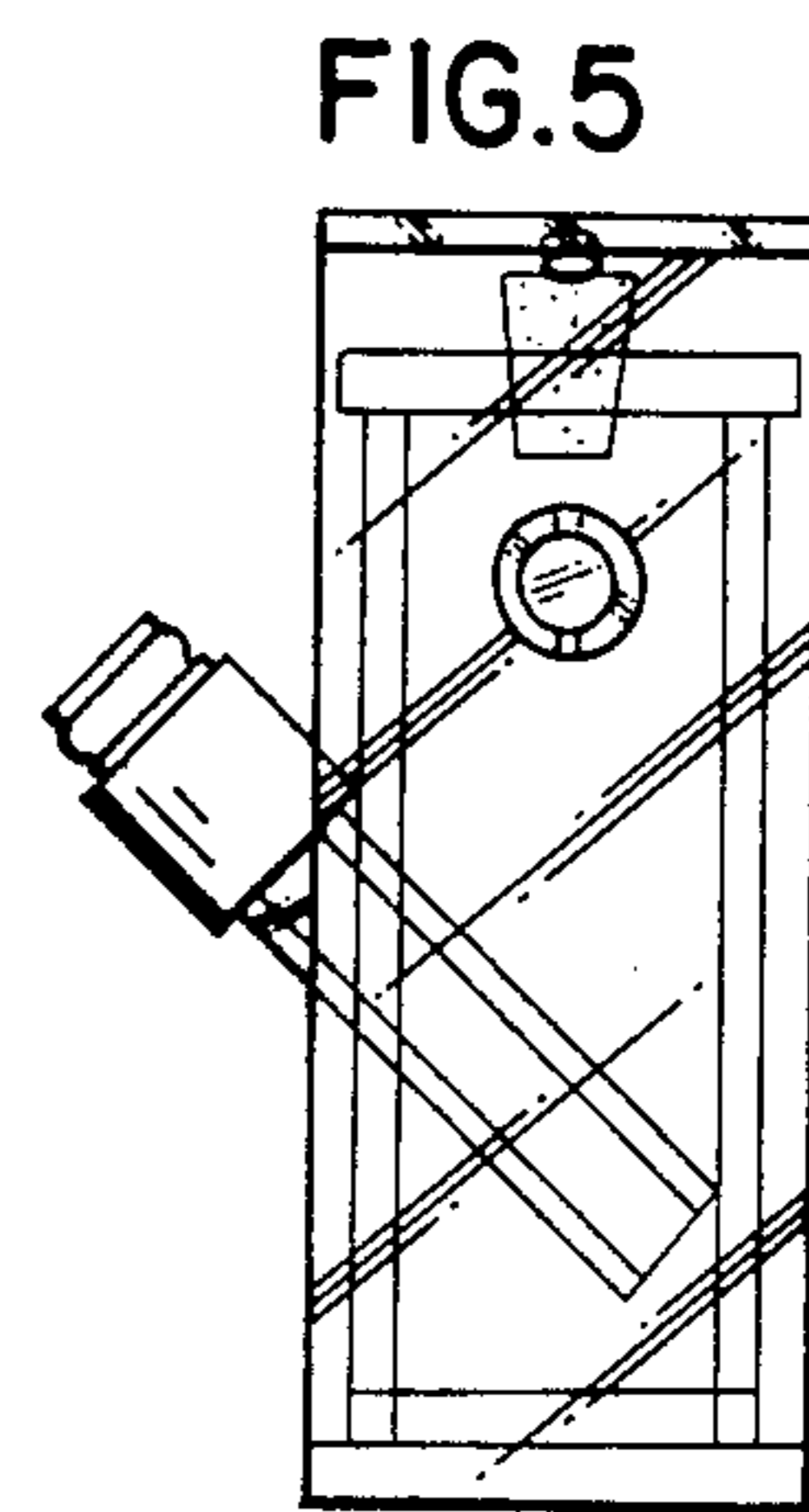
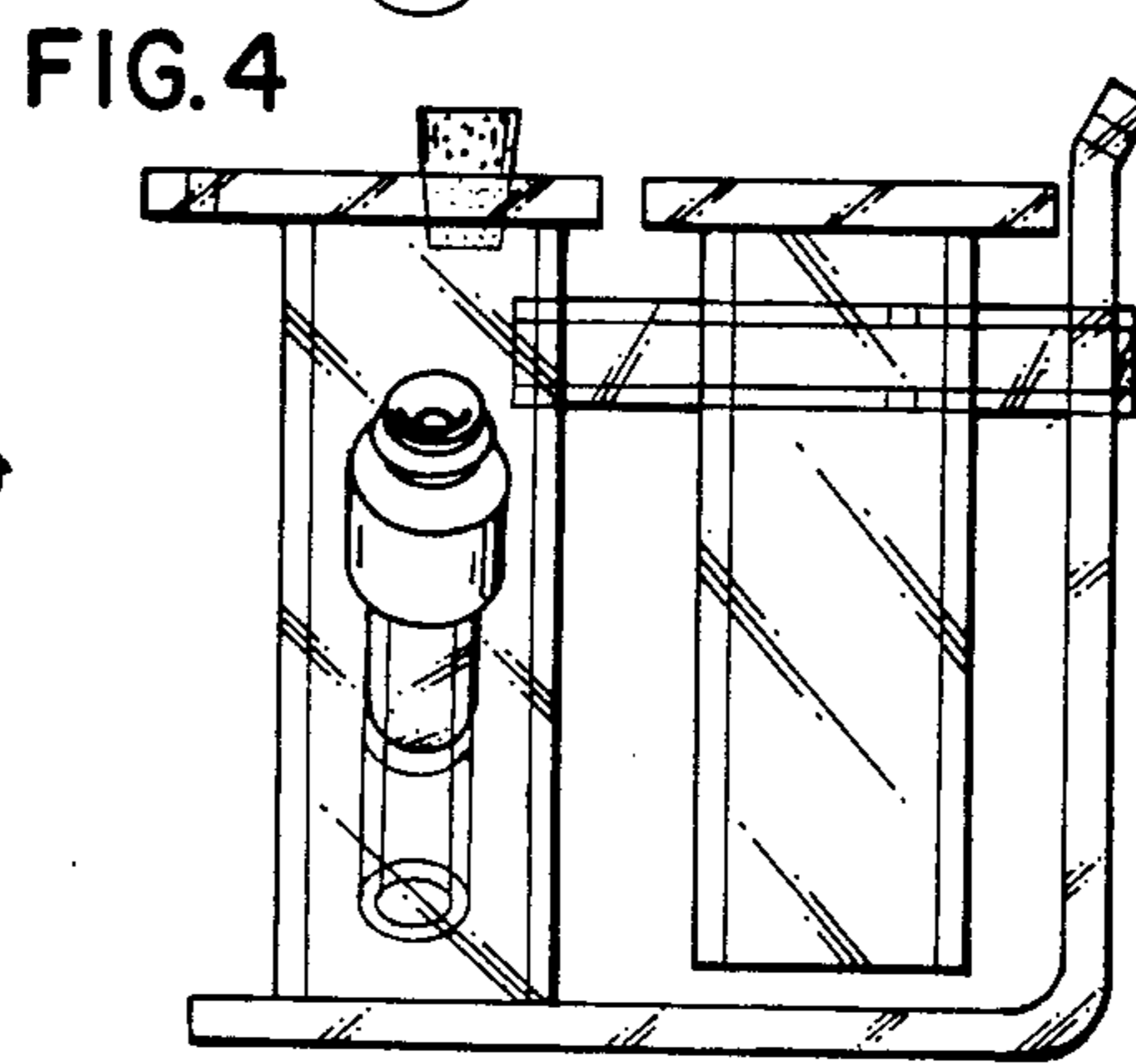
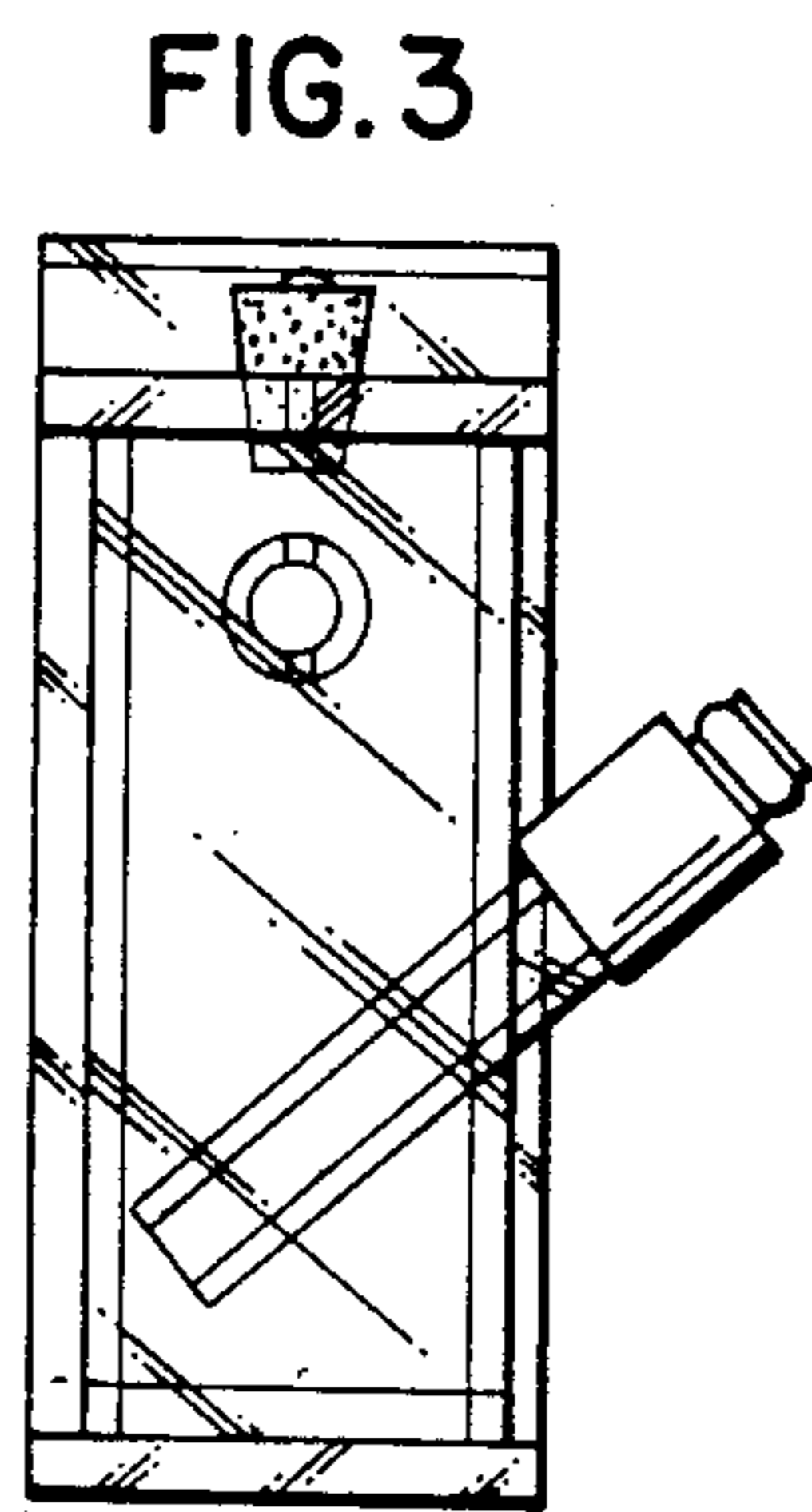
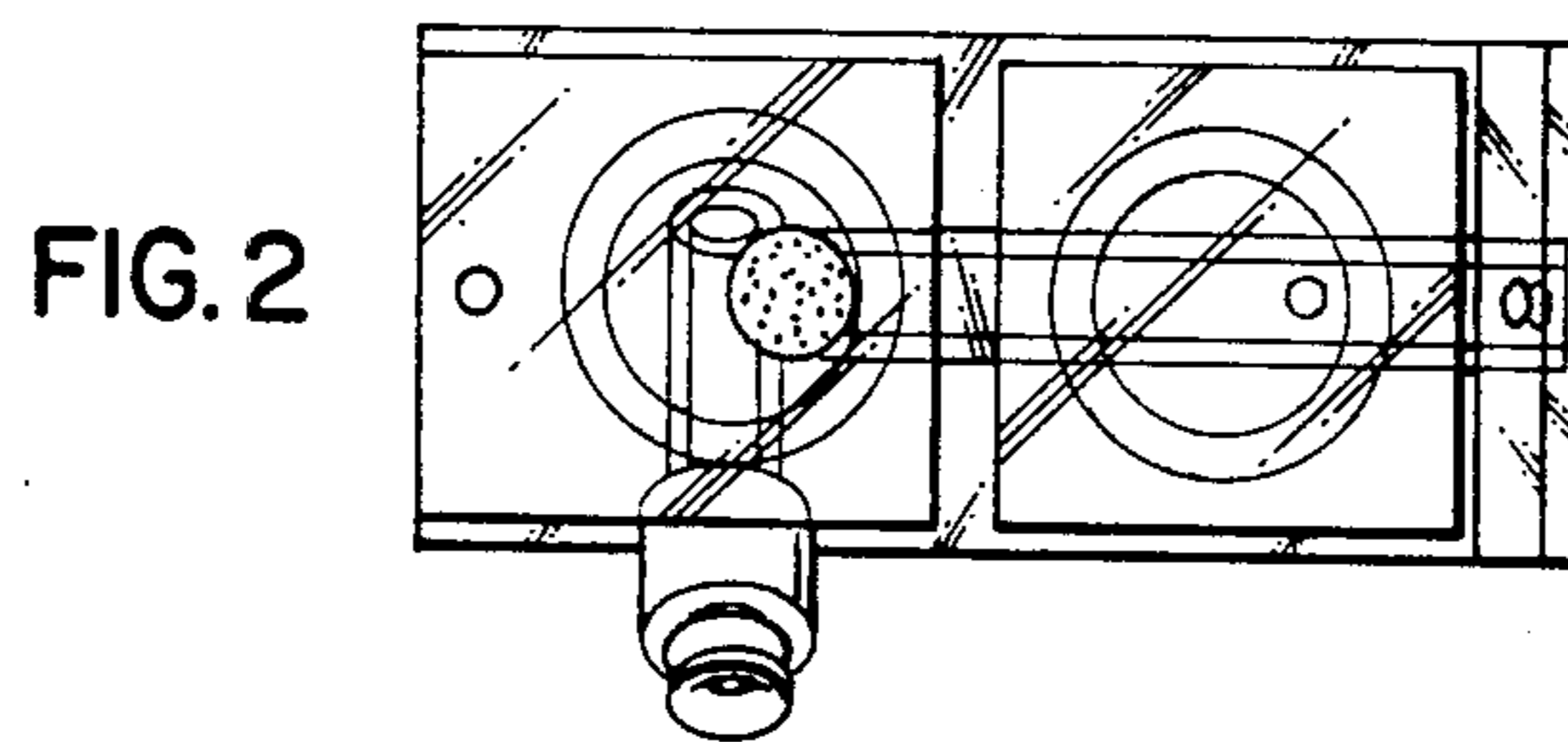
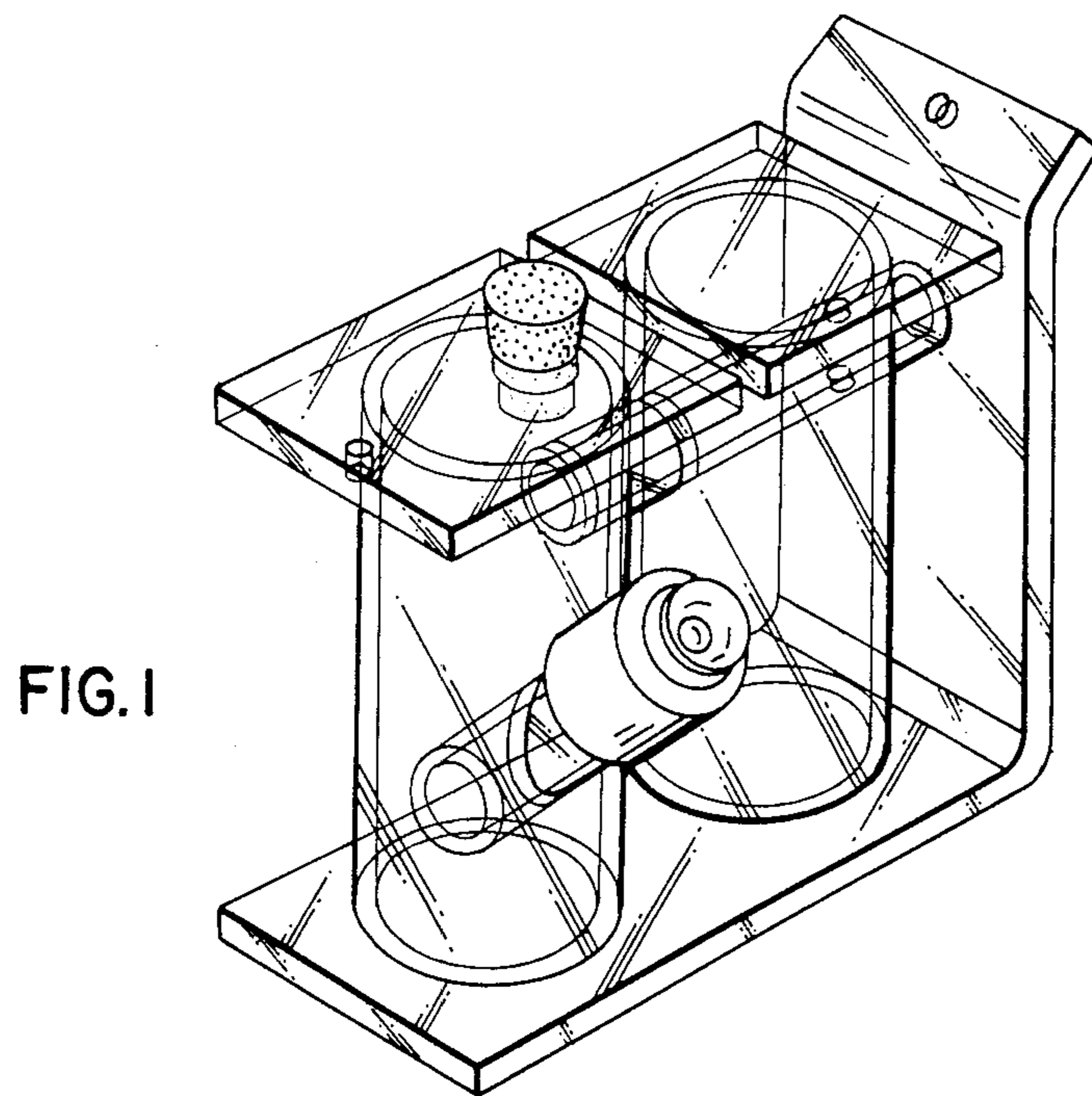
[57] CLAIM

The ornamental design for a water pipe, substantially as shown and described.

DESCRIPTION

FIG. 1 is a perspective view of a water pipe showing my new design in carrying position;
FIG. 2 is a top plan view thereof;
FIG. 3 is an end elevational view as seen from the left in FIG. 1;
FIG. 4 is a front elevational view;
FIG. 5 is an end elevational view as seen from the right in FIG. 1;
FIG. 6 is a bottom plan view; and
FIG. 7 is a rear elevational view thereof, shown as the device appears in use.





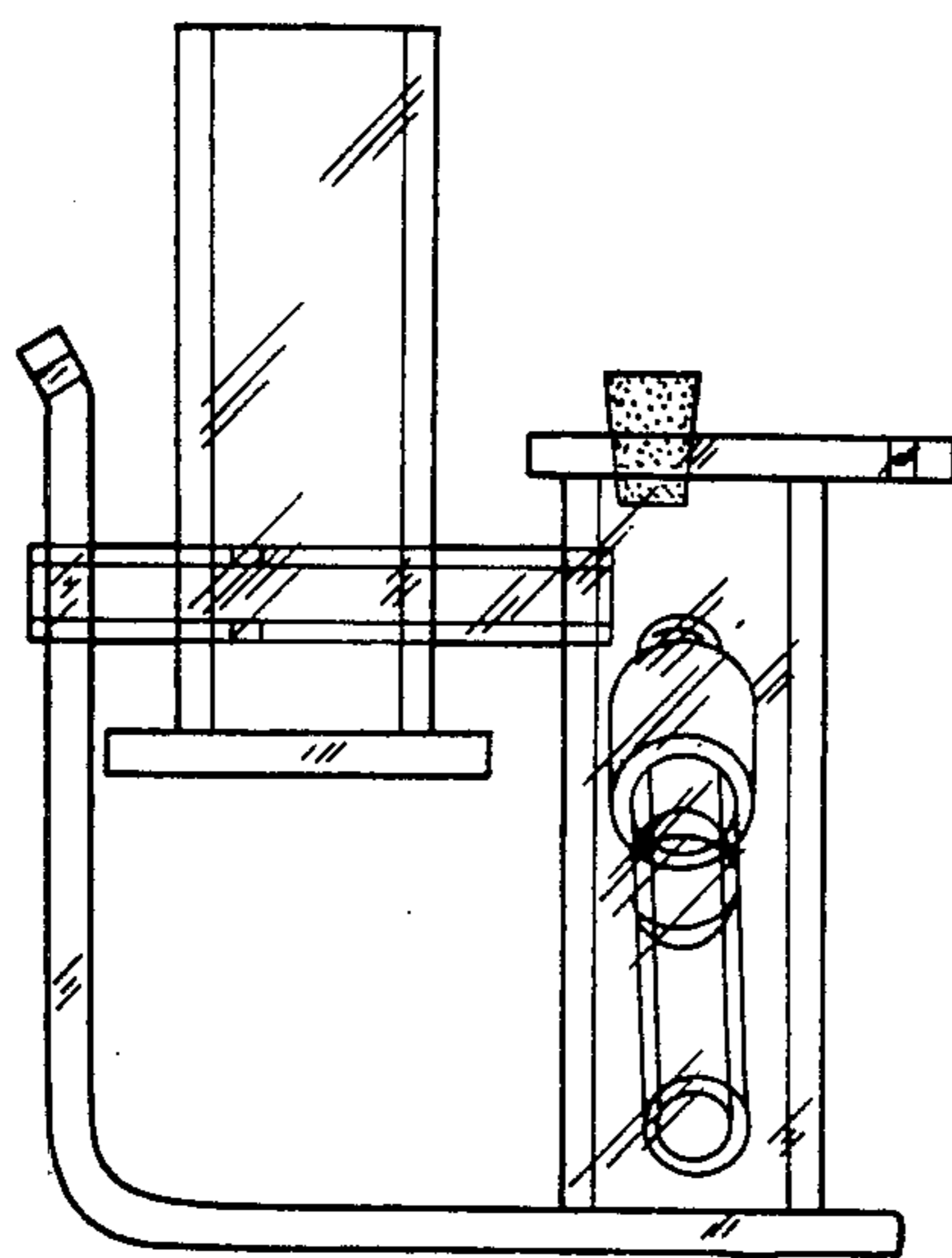


FIG. 7