

[54] **EYE DROP BOTTLE GUIDE**

[76] Inventor: **Douglas J. Trovinger**, 311 Audubon Dr., Lodi, Calif. 95240

[**] Term: **14 Years**

[21] Appl. No.: **743,809**

[22] Filed: **Nov. 22, 1976**

[51] Int. Cl. **D24—02**

[52] U.S. Cl. **D24/99; D24/63; 128/233; 128/249**

[58] Field of Search 128/249, 233; D9/158, D9/159, 169, 261, 262, 10; D24/99, 63

[56] **References Cited**
U.S. PATENT DOCUMENTS
 D. 210,179 2/1968 Mahoney et al. D24/63

D. 242,491 11/1976 Campagna et al. D24/63 X
 3,058,466 10/1962 Routsong 128/233
 3,439,674 4/1969 Lelicoff 128/249 X
 3,598,121 8/1971 Lelicoff 128/233
 4,002,168 1/1977 Petterson 128/249 X

Primary Examiner—Bernard Ansher
Attorney, Agent, or Firm—Elton H. Brown, Jr.

[57] **CLAIM**

The ornamental design for a eye drop bottle guide, substantially as shown and described.

DESCRIPTION

FIG. 1 is a perspective view of an eye drop bottle guide showing my new design;
 FIG. 2 is a top plan view thereof; and
 FIG. 3 is a side elevation thereof.
 The broken lines representing the eye drop bottle is shown for illustrative purposes only.

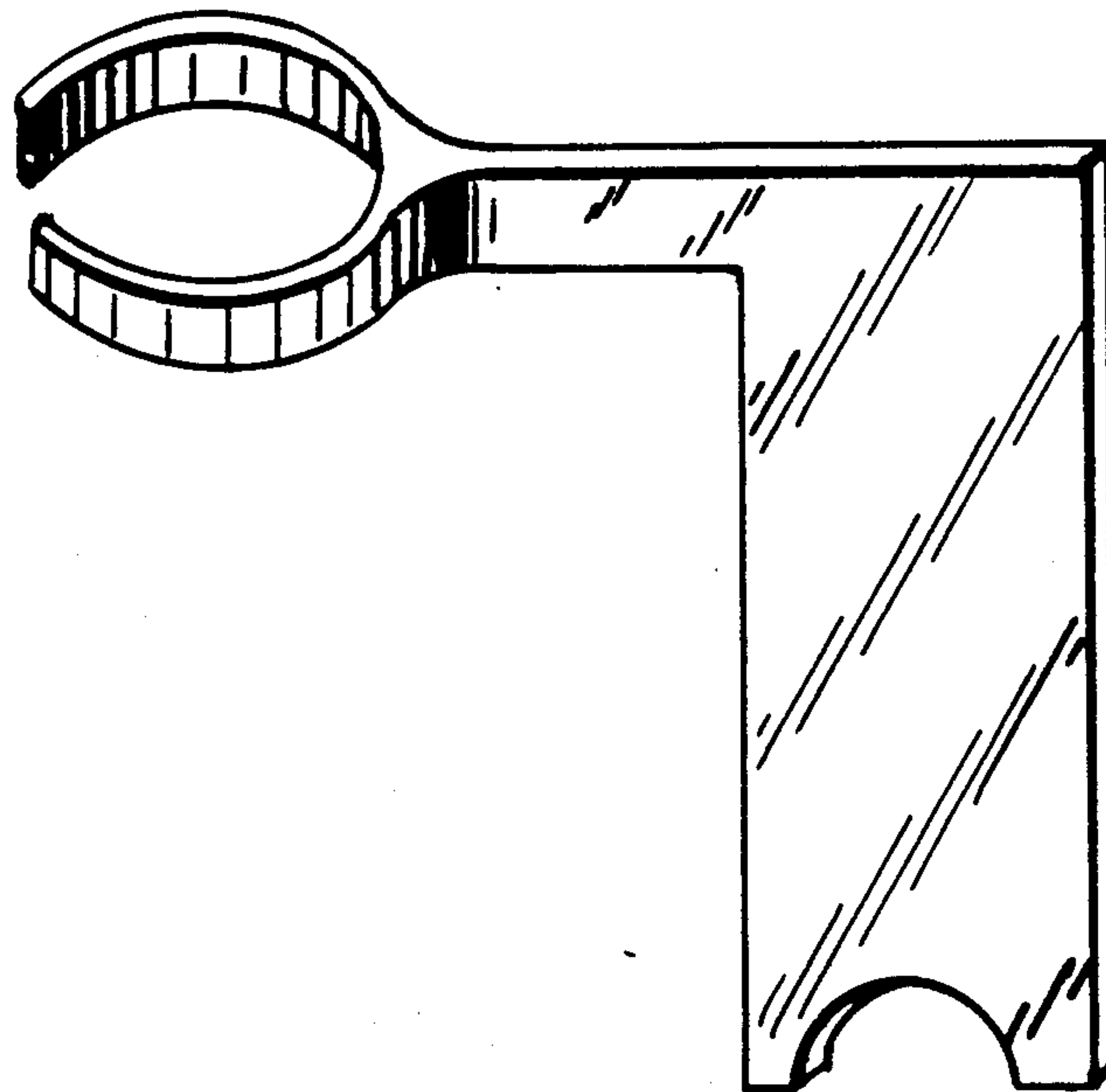


FIG. 1.

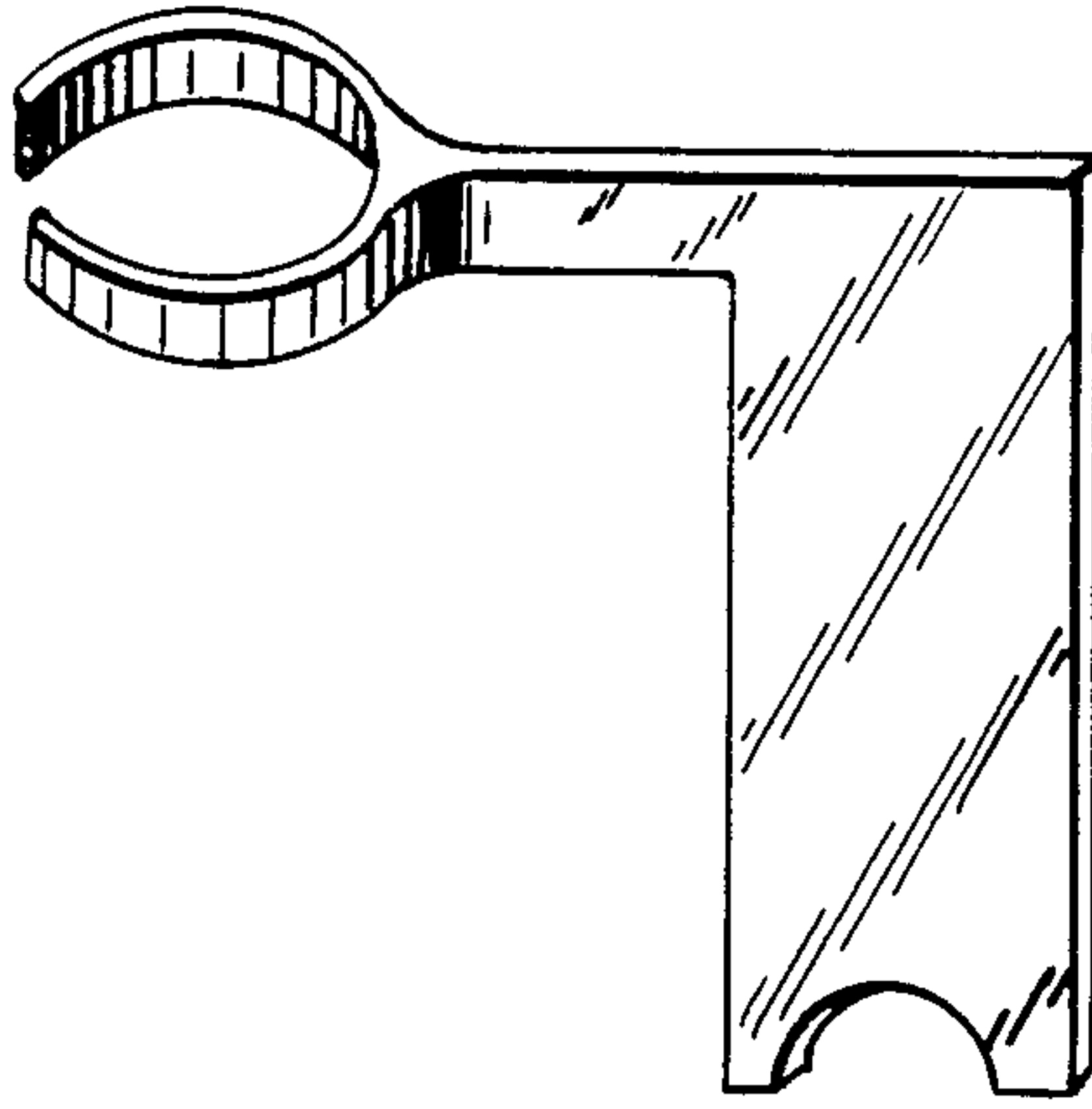


FIG. 2.

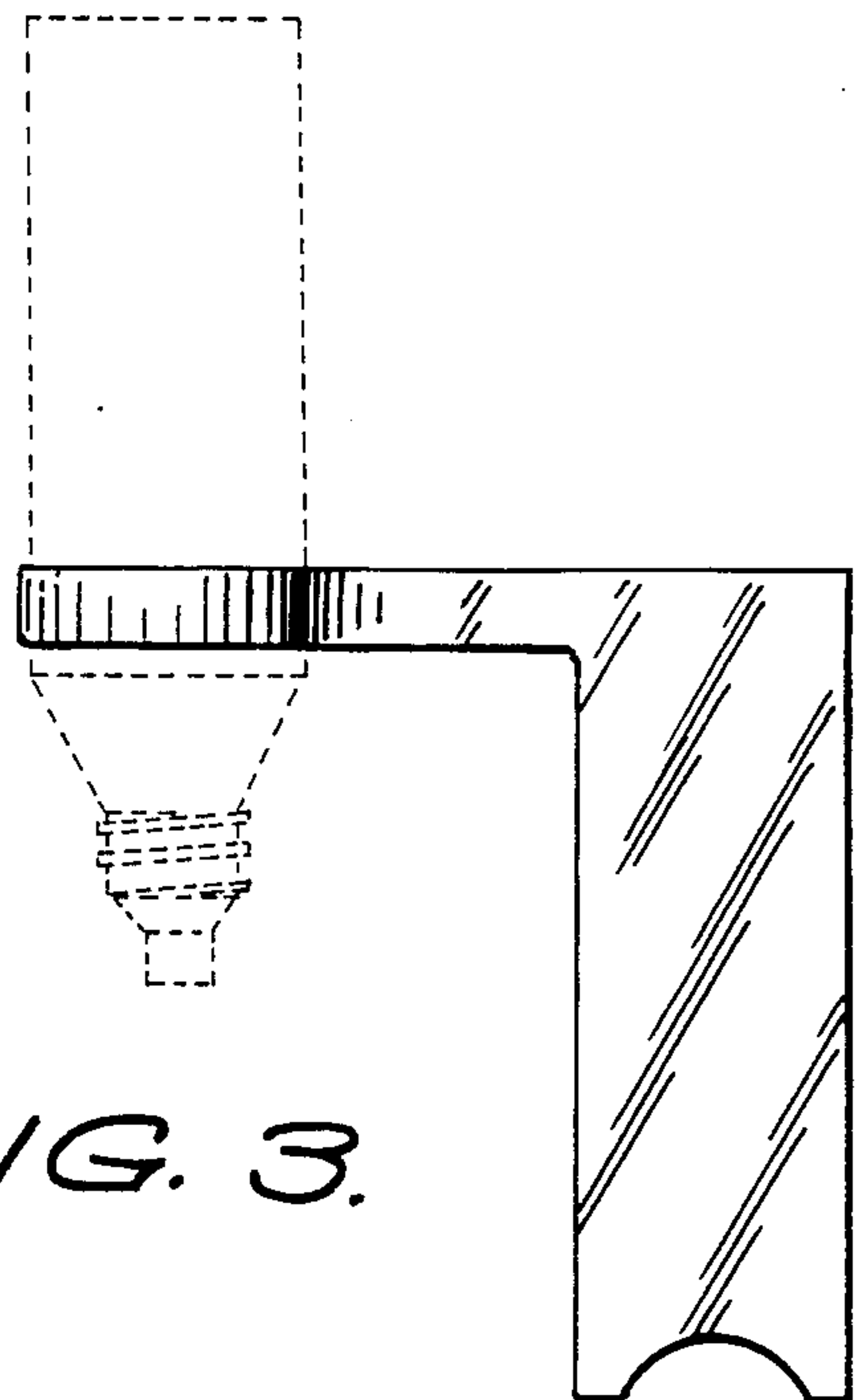
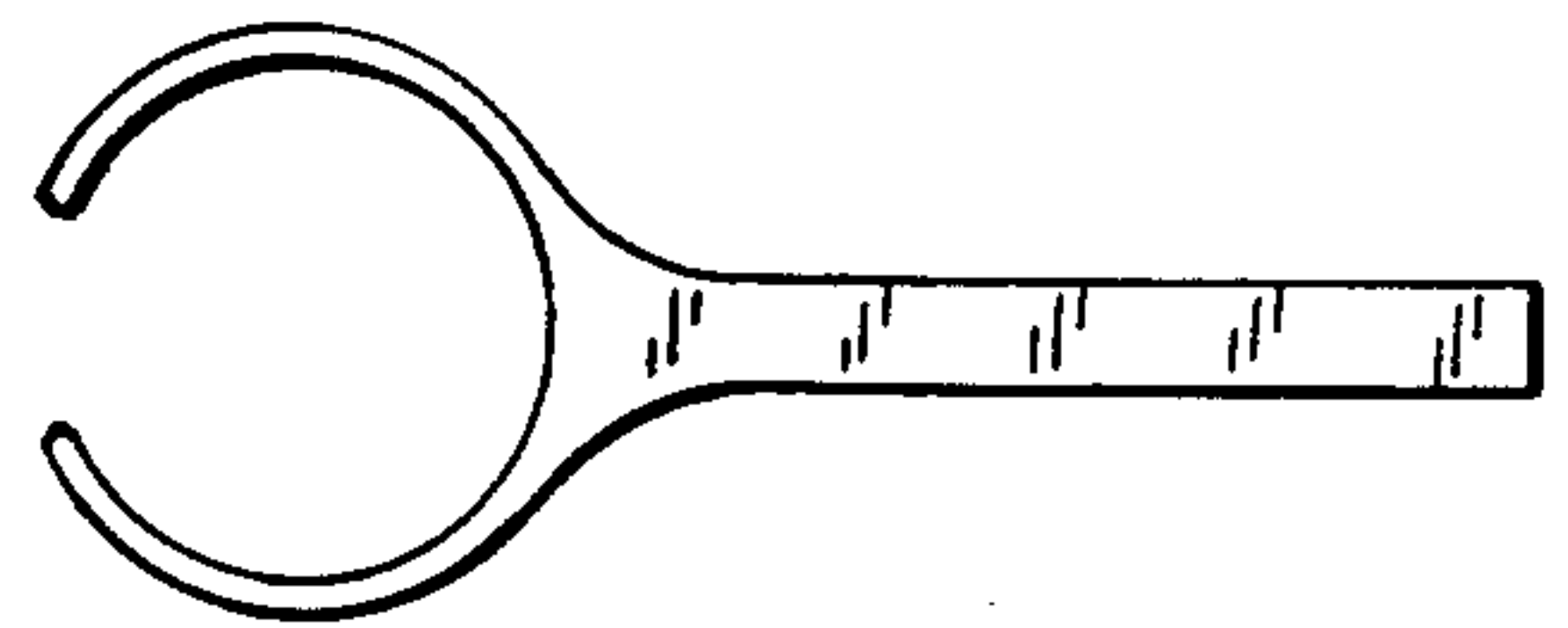


FIG. 3.