

[54] **SAMPLE CUP FOR ANALYSIS OF BIOLOGICAL FLUIDS**

[75] Inventors: **Michael Richmond Smith; James Elias Ferris**, both of Rochester; **Henry Stanislaus Adamski, Webster**, all of N.Y.

[73] Assignee: **Eastman Kodak Company**, Rochester, N.Y.

[**] Term: **14 Years**

[21] Appl. No.: **751,928**

[22] Filed: **Dec. 17, 1976**

[51] Int. Cl. **D24-02**

[52] U.S. Cl. **D24/56; 24/55; 24/99**

[58] Field of Search **23/292; 73/427, 423 A, 73/53; 356/246; D24/55, 21, 56, 7**

[56] **References Cited**

U.S. PATENT DOCUMENTS

D. 245,352	8/1977	Moran	D24/1.1
D. 246,800	12/1977	Wong	D24/56
2,363,474	11/1944	Schlesinger	221/148

3,190,731	6/1965	Weiskopf	23/292
3,680,967	8/1972	Engelhardt	356/246

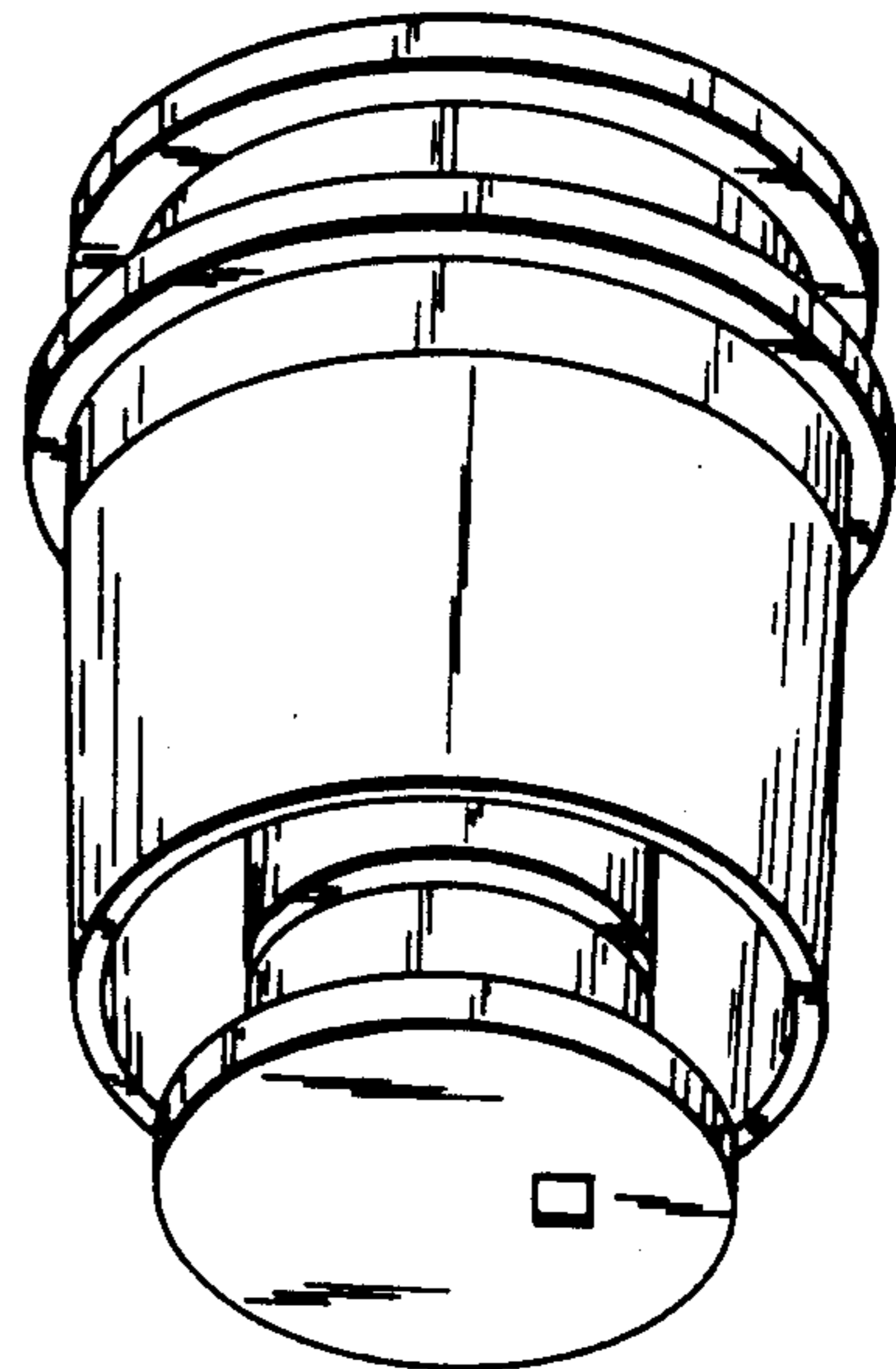
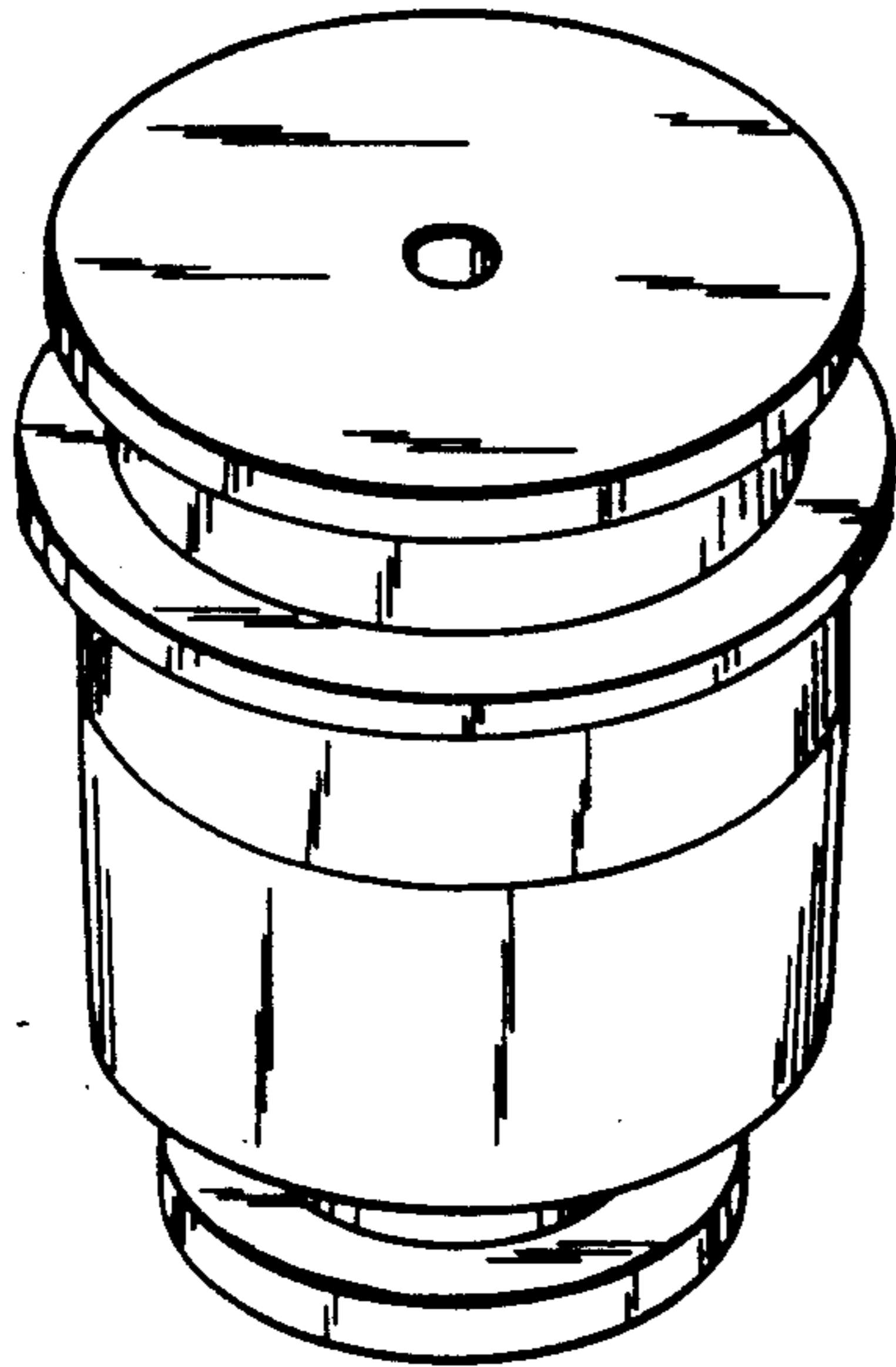
Primary Examiner—Bernard Ansher
Attorney, Agent, or Firm—Robert W. Hampton

[57] **CLAIM**

The ornamental design for a sample cup for analysis of biological fluids, as shown and described.

DESCRIPTION

FIG. 1 is a top perspective view of a sample cup for analysis of biological fluids, showing our new design; FIG. 2 is a bottom perspective view thereof; FIG. 3 is a top plan view thereof; FIG. 4 is a side elevation thereof; FIG. 5 is a bottom plan view thereof; FIG. 6 is a top perspective view thereof with the top cap removed; FIG. 7 is a top plan view thereof; FIG. 8 is a side elevation thereof; FIG. 9 is a bottom perspective view thereof, with the bottom cap removed; FIG. 10 is a side elevation thereof; and FIG. 11 is a bottom plan view thereof.



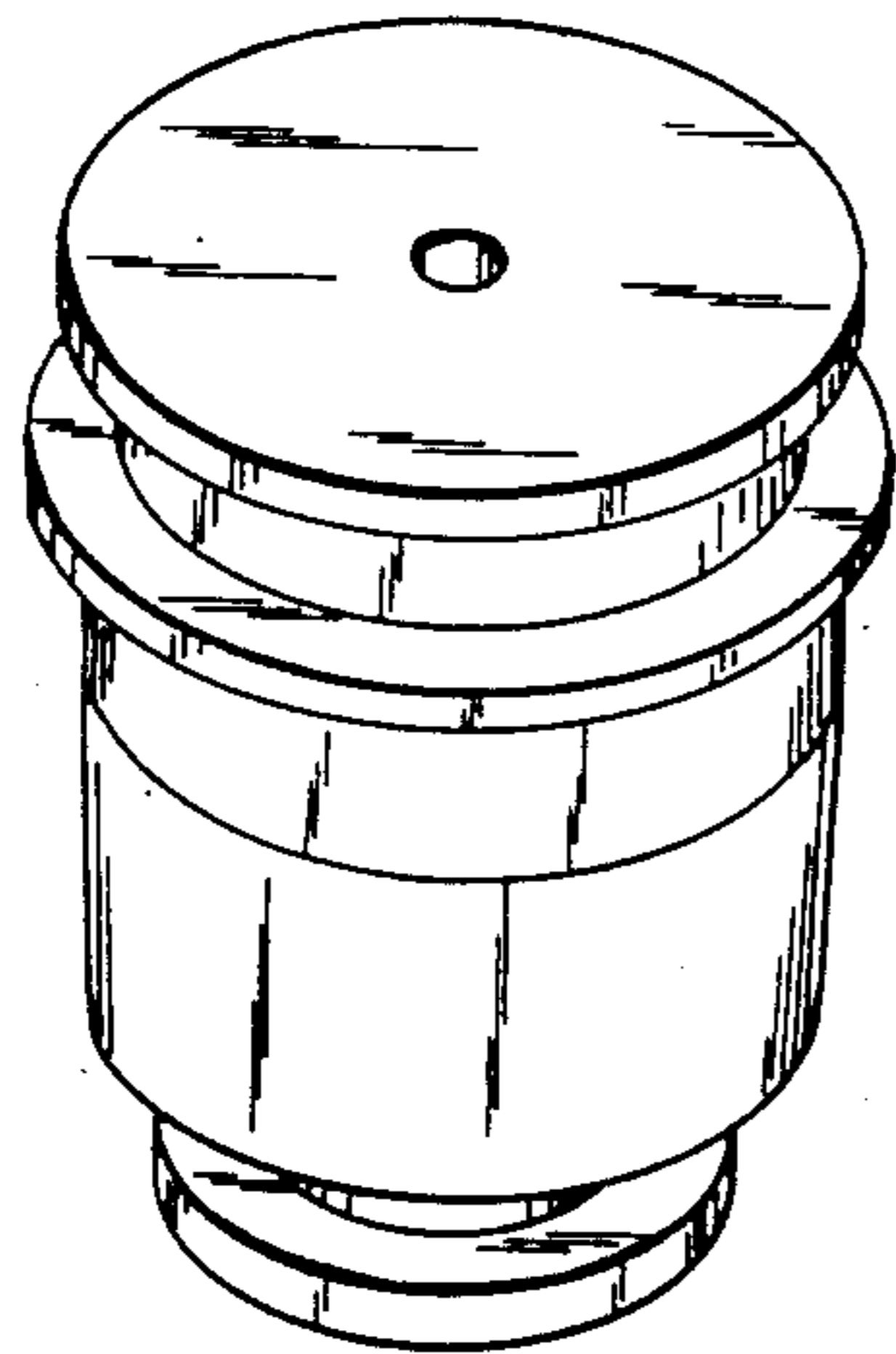


FIG. 1

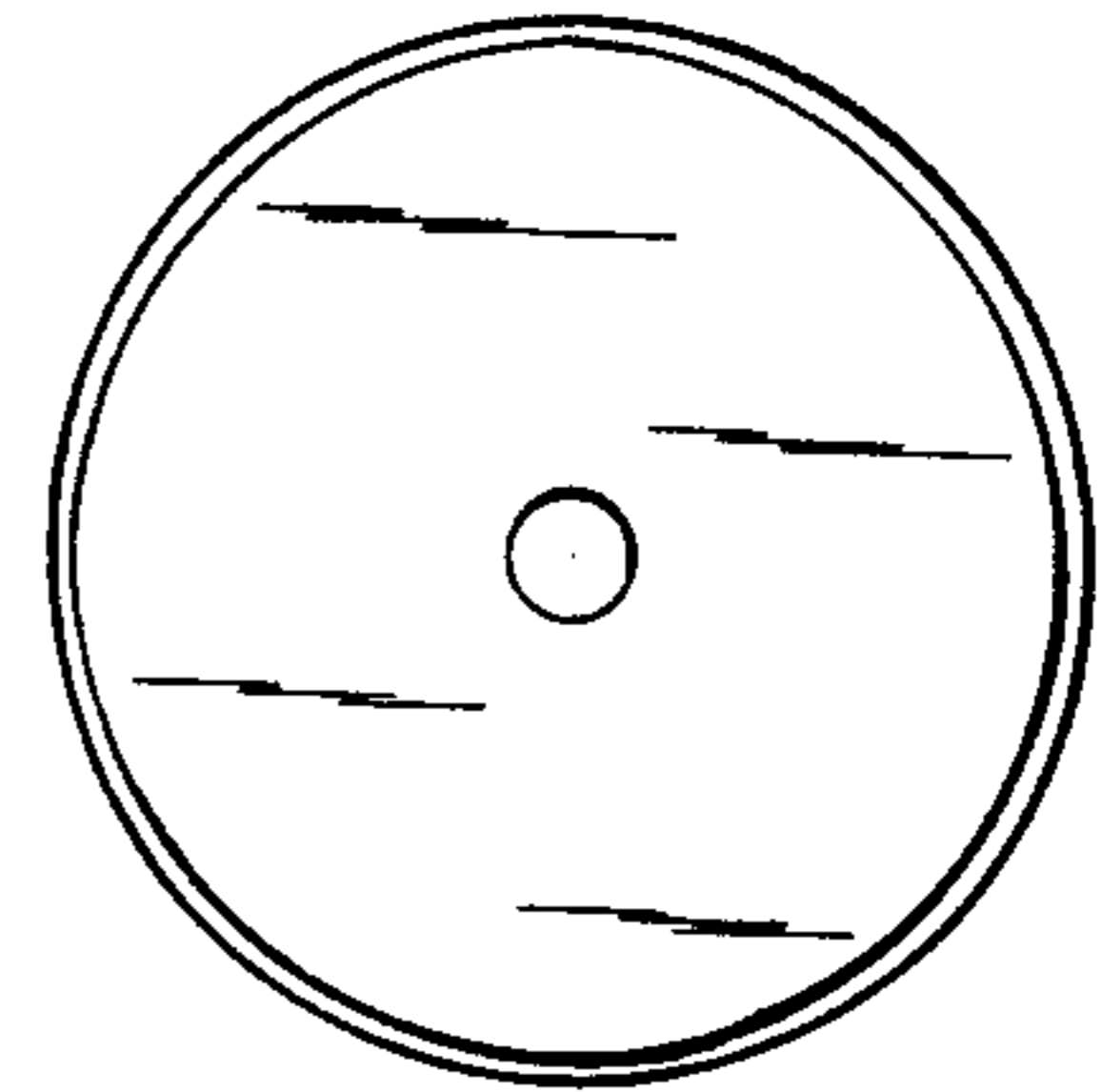


FIG. 3

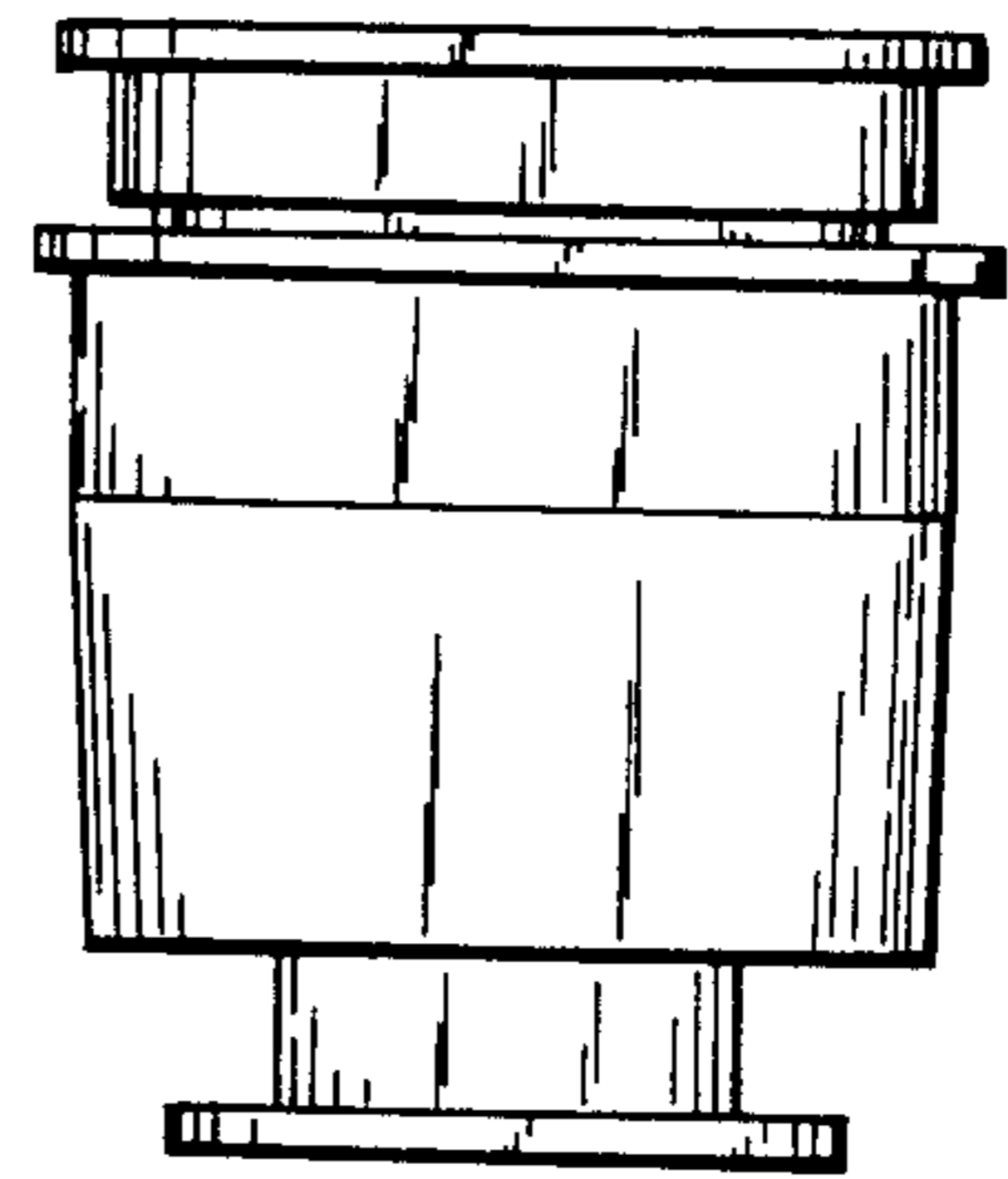


FIG. 4

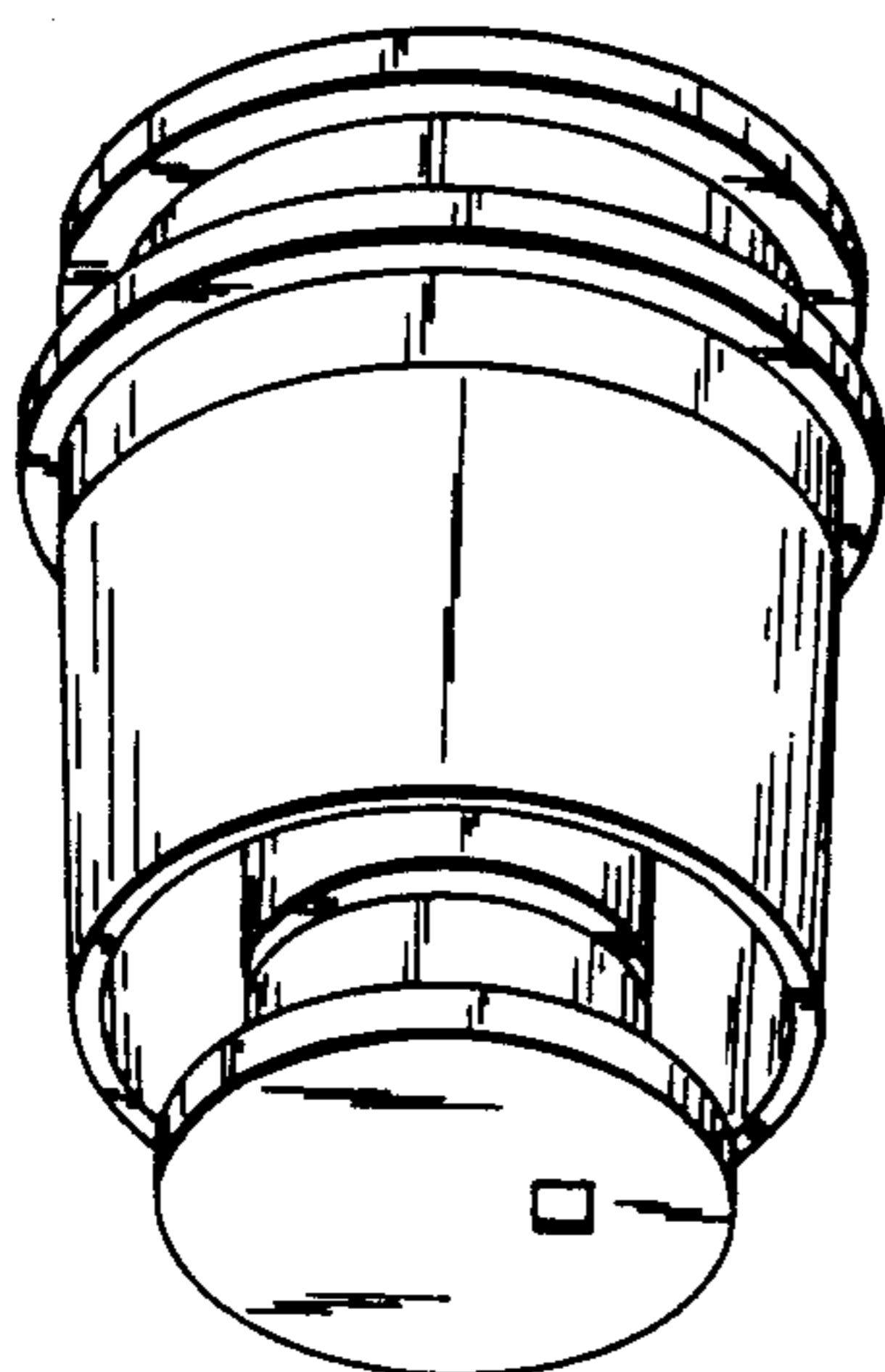


FIG. 2

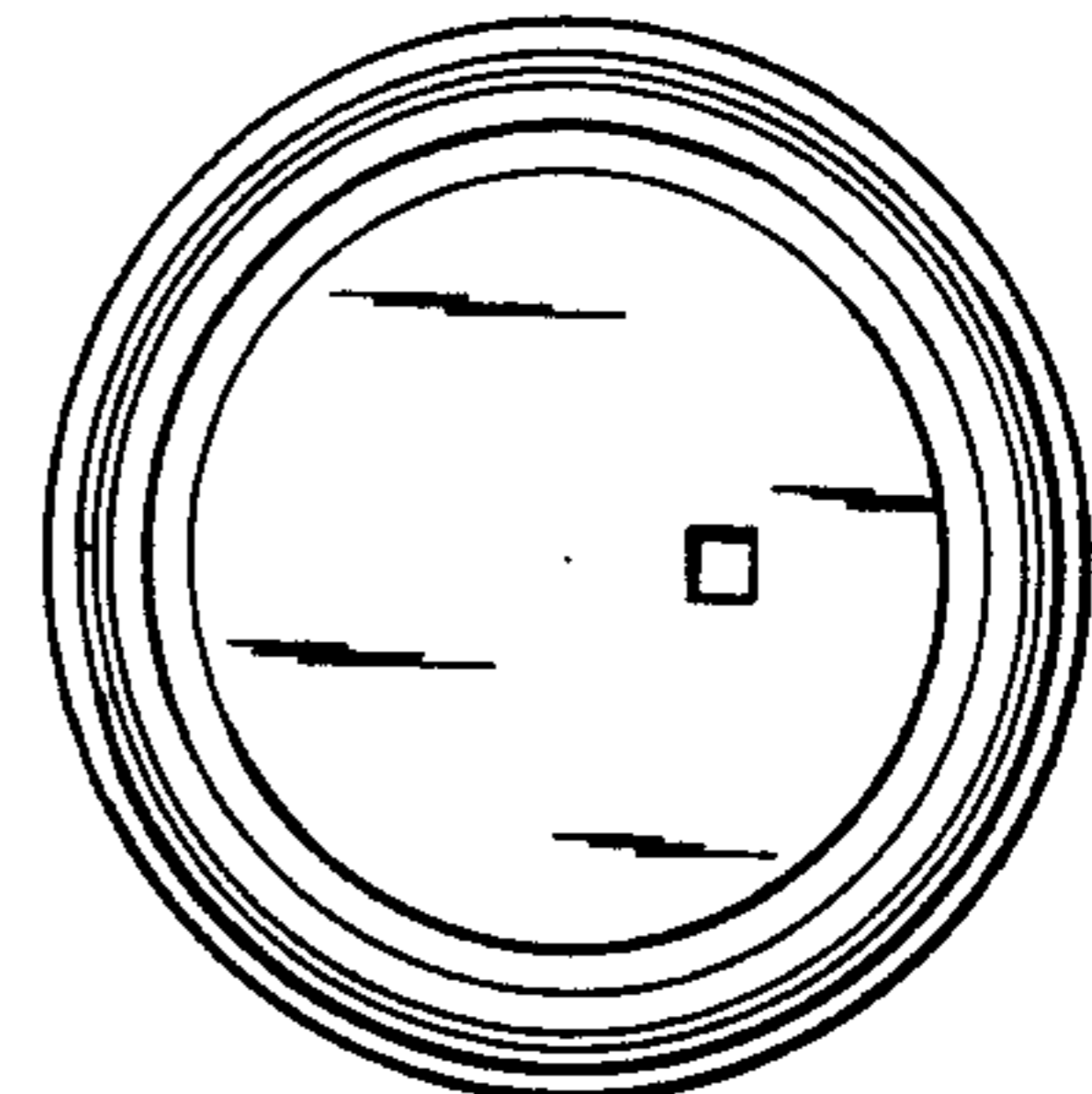


FIG. 5

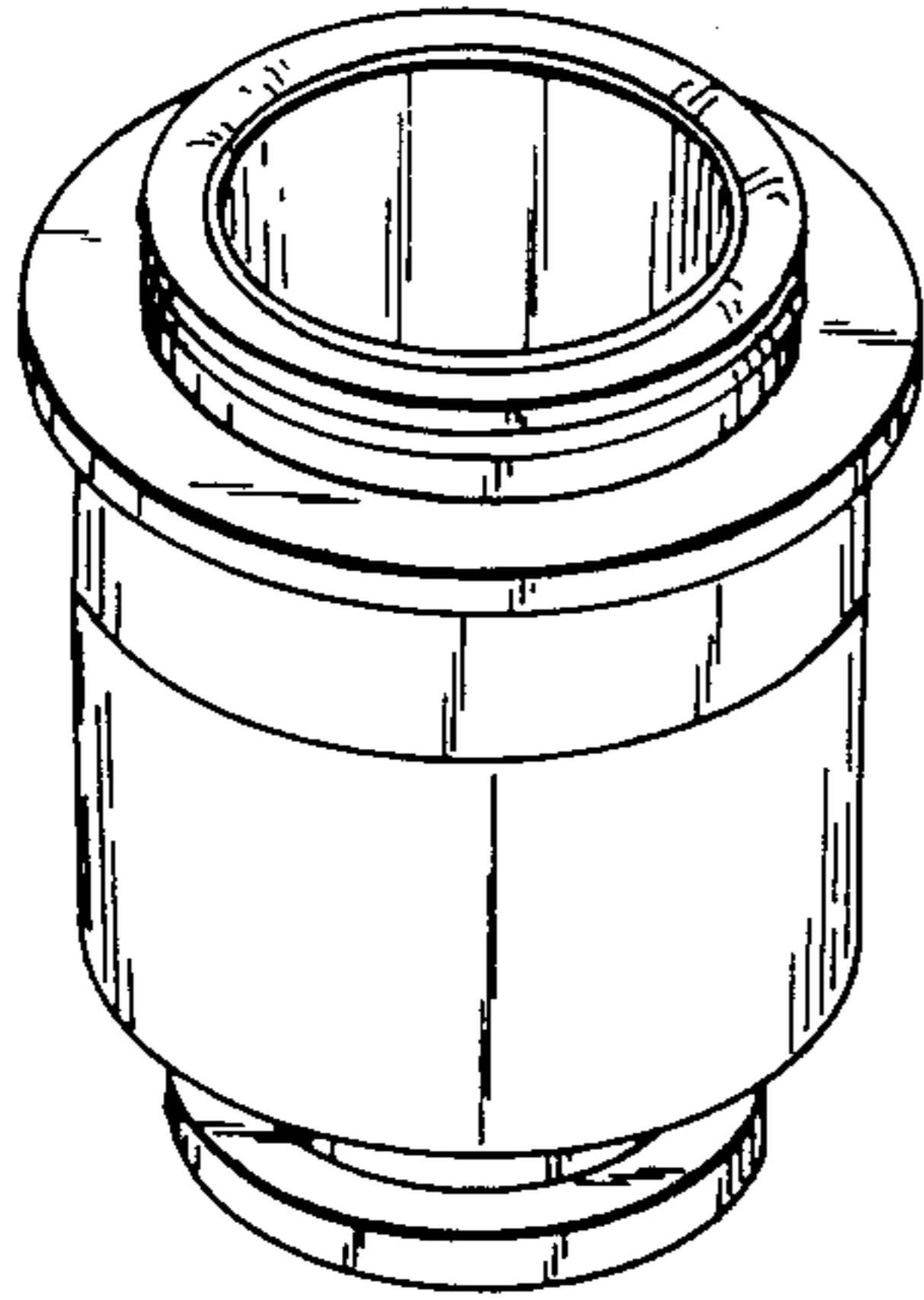


FIG. 6

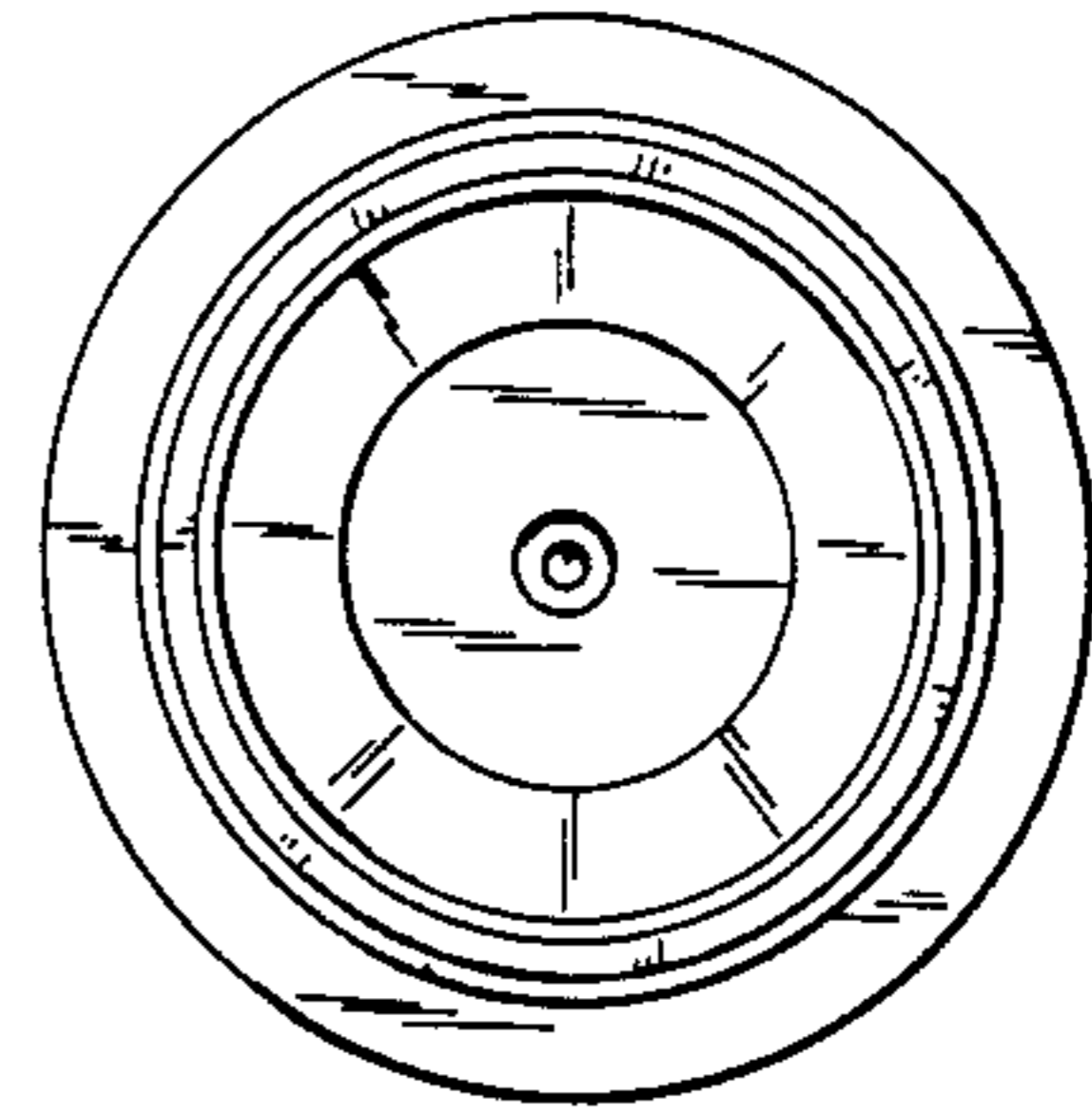


FIG. 7

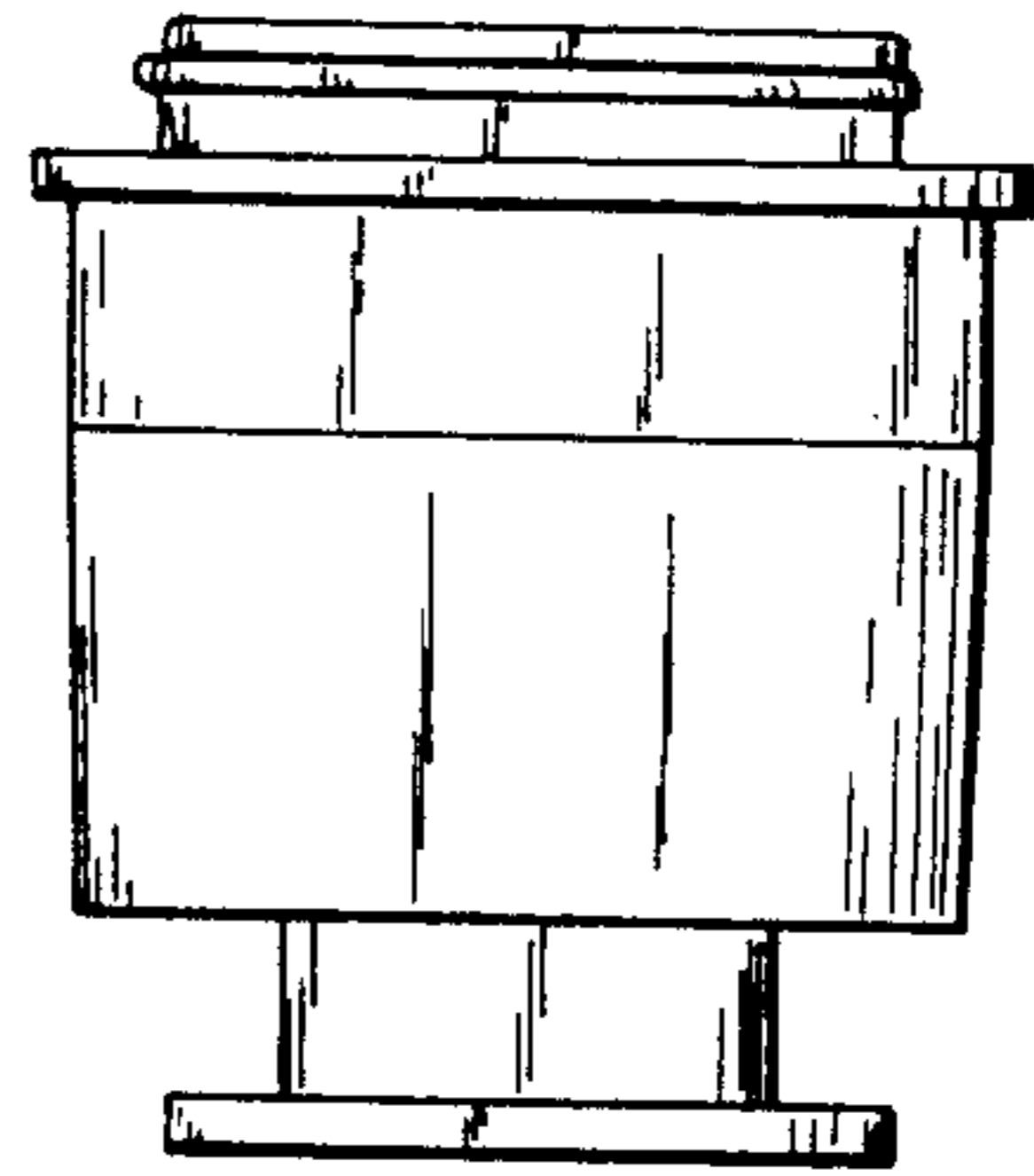


FIG. 8

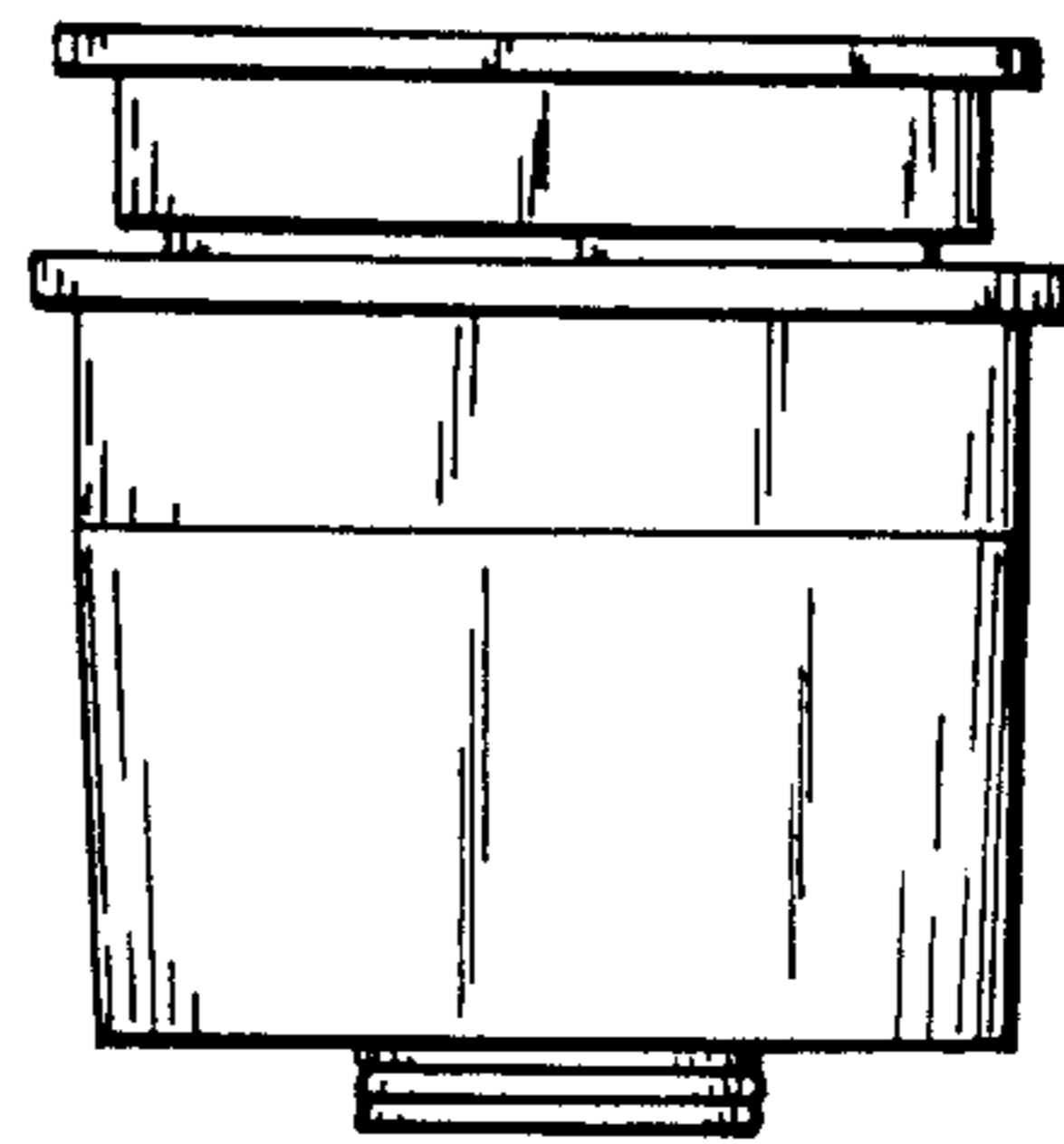


FIG. 10

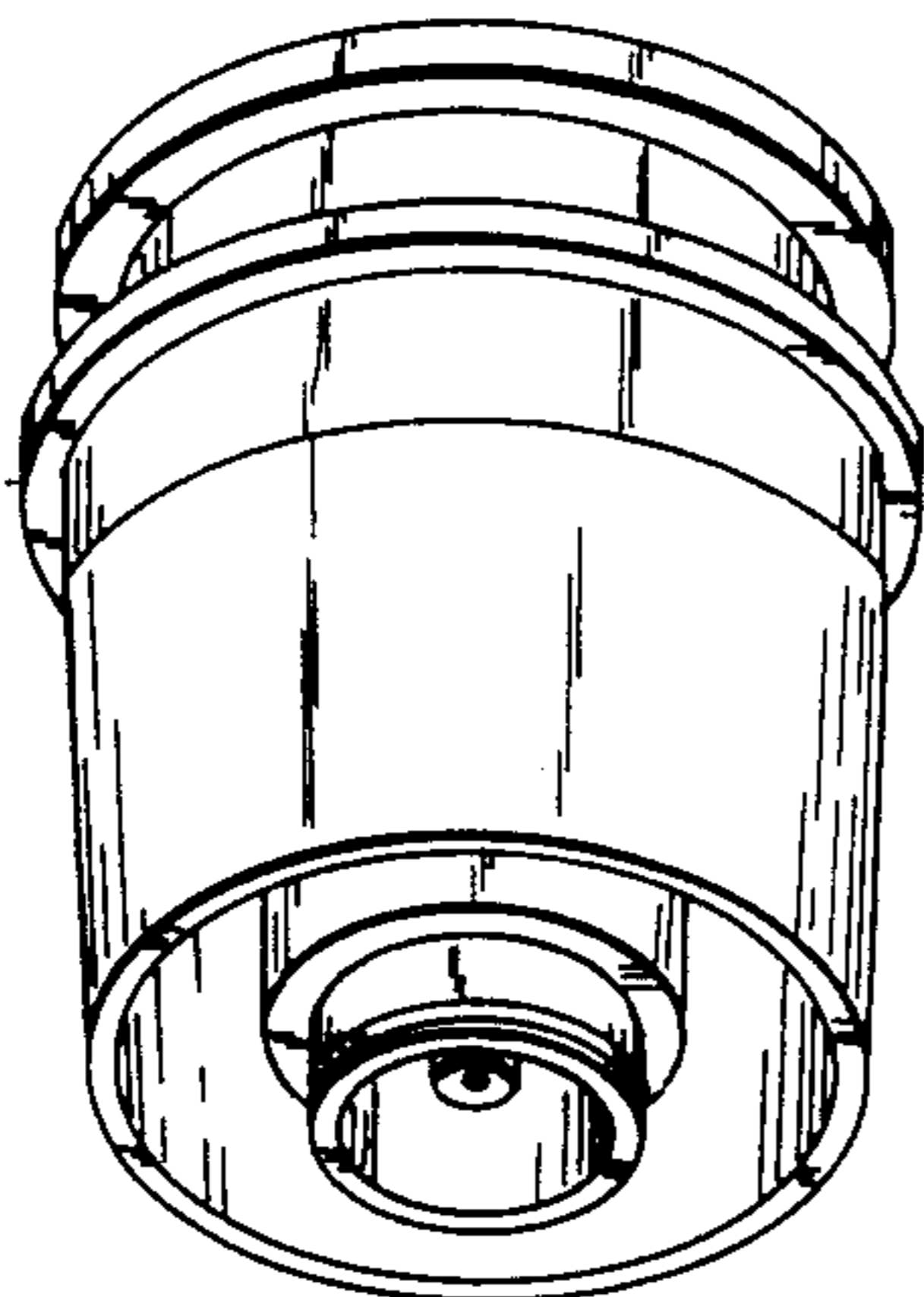


FIG. 9

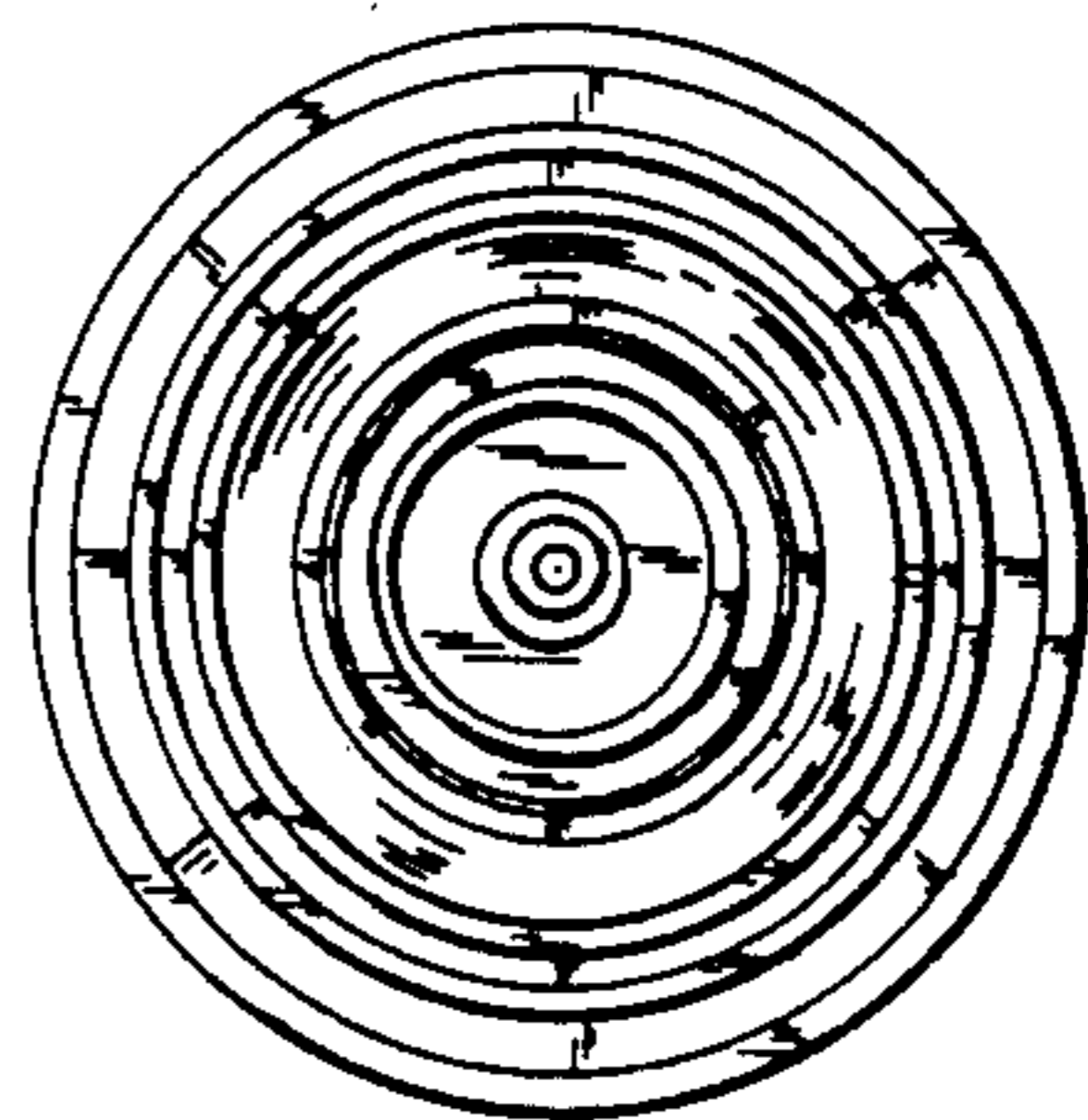


FIG. 11