

[54] MOISTURIZING MASSAGER

[75] Inventors: Frederick A. Burke, Riverside;
Douglas A. Long, Wilton, both of
Conn.

[73] Assignee: Clairol Inc.

[**] Term: 14 Years

[21] Appl. No.: 679,959

[22] Filed: Apr. 26, 1976

[51] Int. Cl. D28-03

[52] U.S. Cl. D24/41; D24/36;40;41;63

[58] Field of Search D28/7, 8, 20, 49, 50,
D28/58, 99; 132/112-116, 11 A; 128/24.2, 32,
41, 42, 48-51, 65, 67, 57

[56] References Cited

U.S. PATENT DOCUMENTS

D. 213,165	1/1969	Boldt	D28/49
D. 226,583	3/1973	Welch	D24/23
D. 232,275	7/1974	Yamada et al.	D28/50

D. 234,725	4/1975	Yamada	D24/41
3,994,290	11/1976	Springer et al.	128/57

Primary Examiner—Joel Stearman
Assistant Examiner—Louis S. Zarfes
Attorney, Agent, or Firm—David J. Mugford

[57] CLAIM

The ornamental design for a moisturizing massager, as shown and described.

DESCRIPTION

FIG. 1 is a front elevational view of a moisturizing massager showing our new design; FIG. 2 is a right side elevational view; FIG. 3 is a rear elevational view; FIG. 4 is a top plan view; FIG. 5 is a bottom plan view; FIG. 6 is a left side elevational view with auxiliary plate added; FIG. 7 is a front elevational view with auxiliary plate added; FIG. 8 is a top plan view with auxiliary plate added; and FIG. 9 is a bottom plan view with auxiliary plate added.

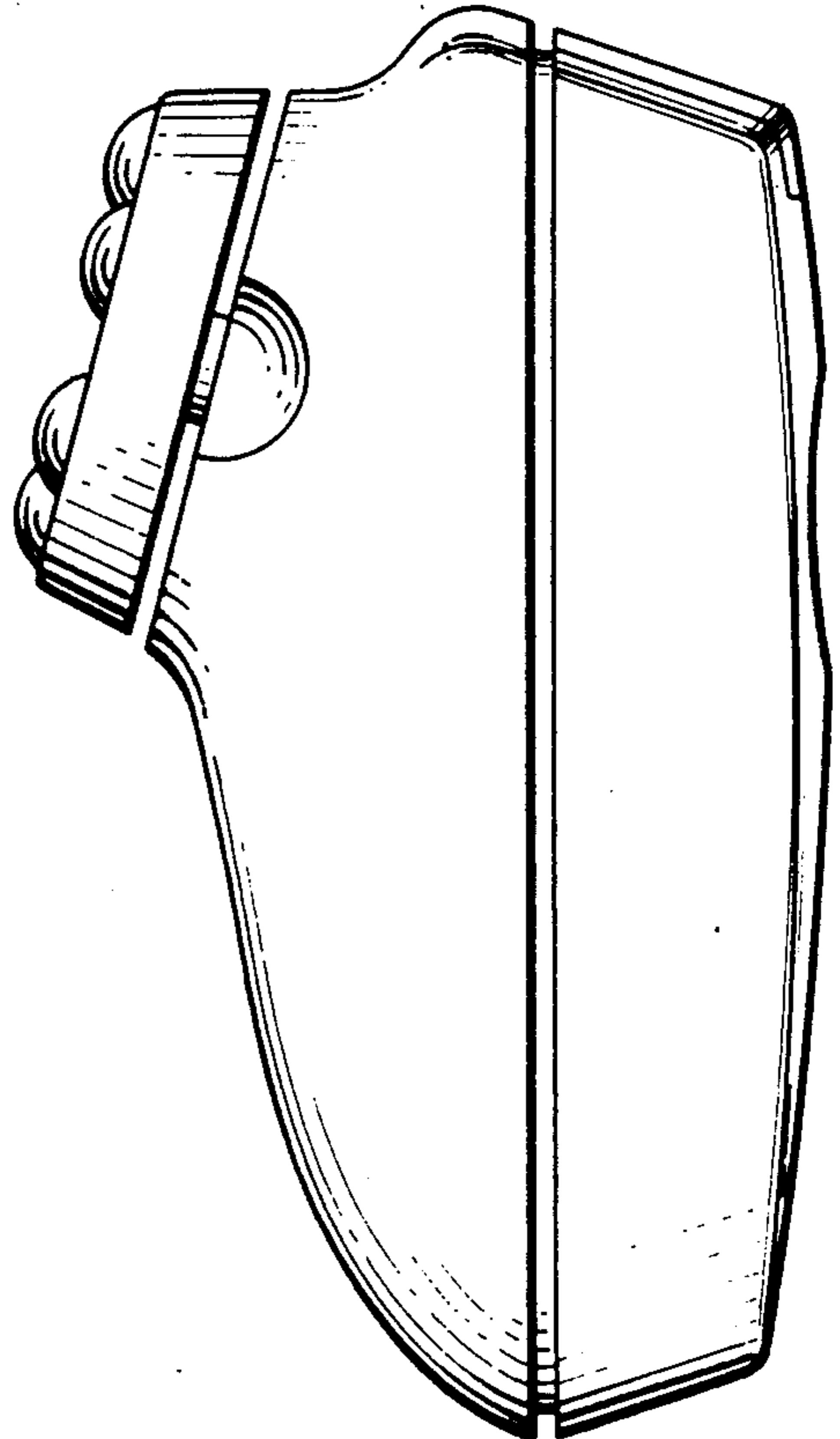
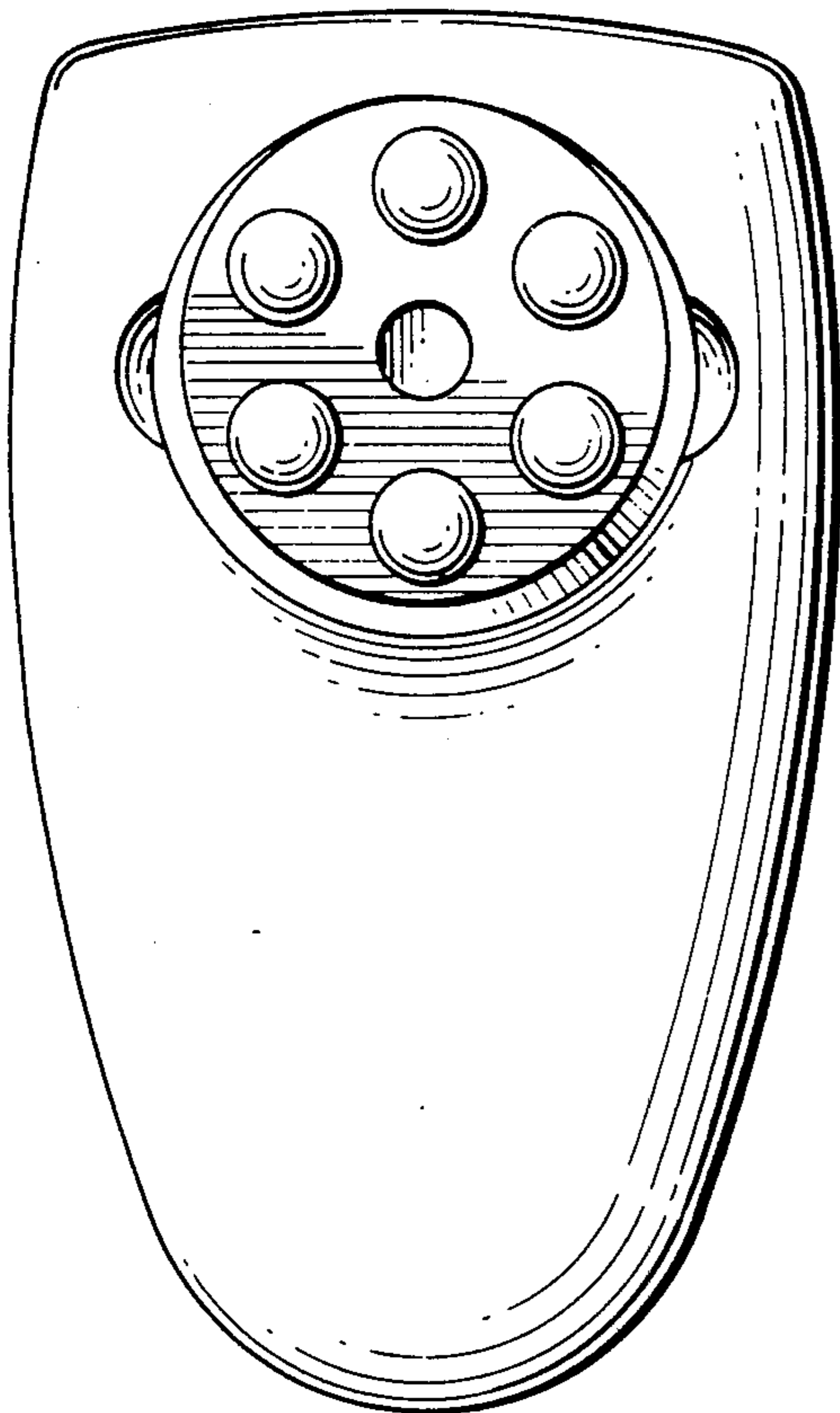


Fig. 1.

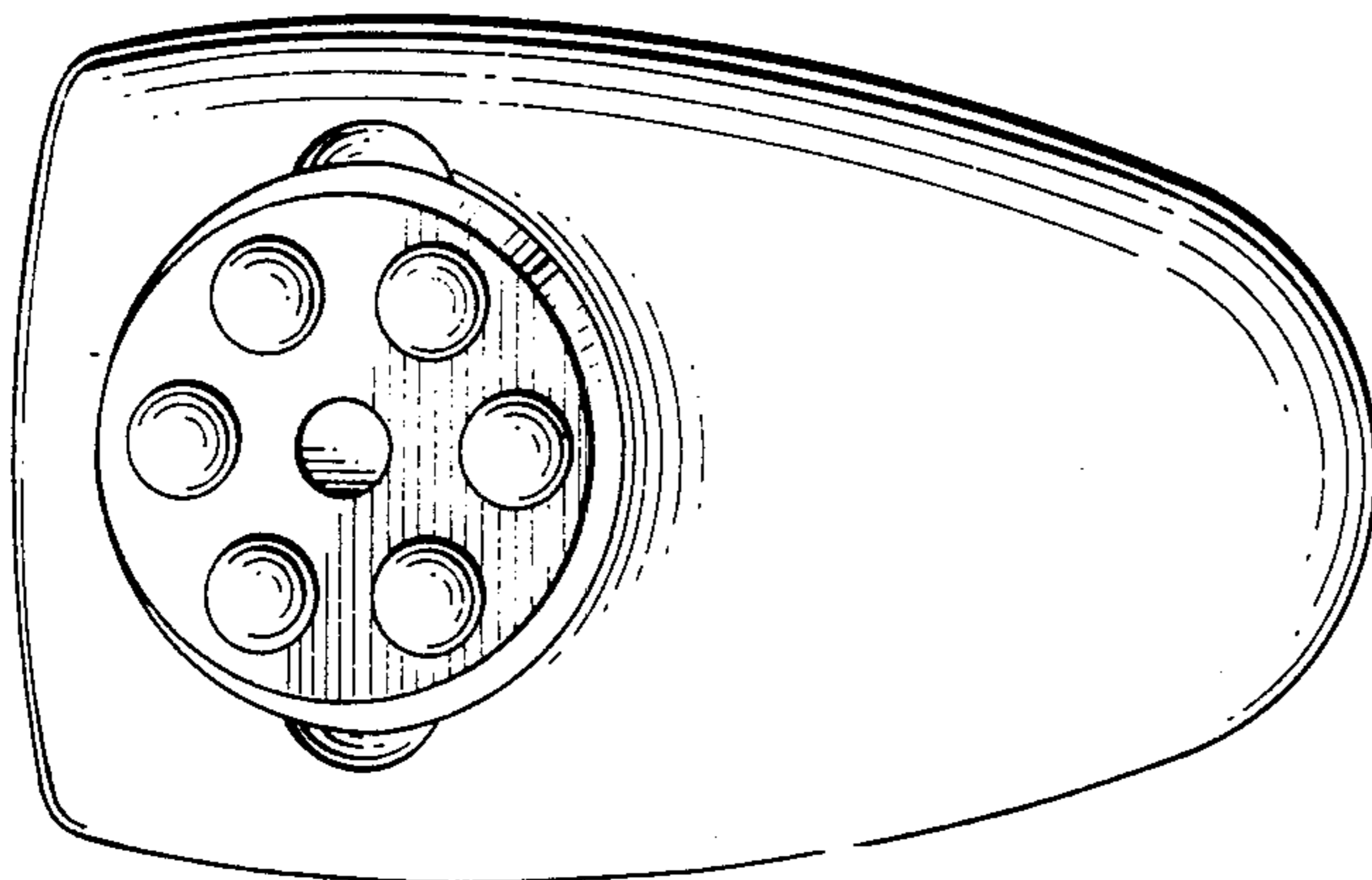


Fig. 2.

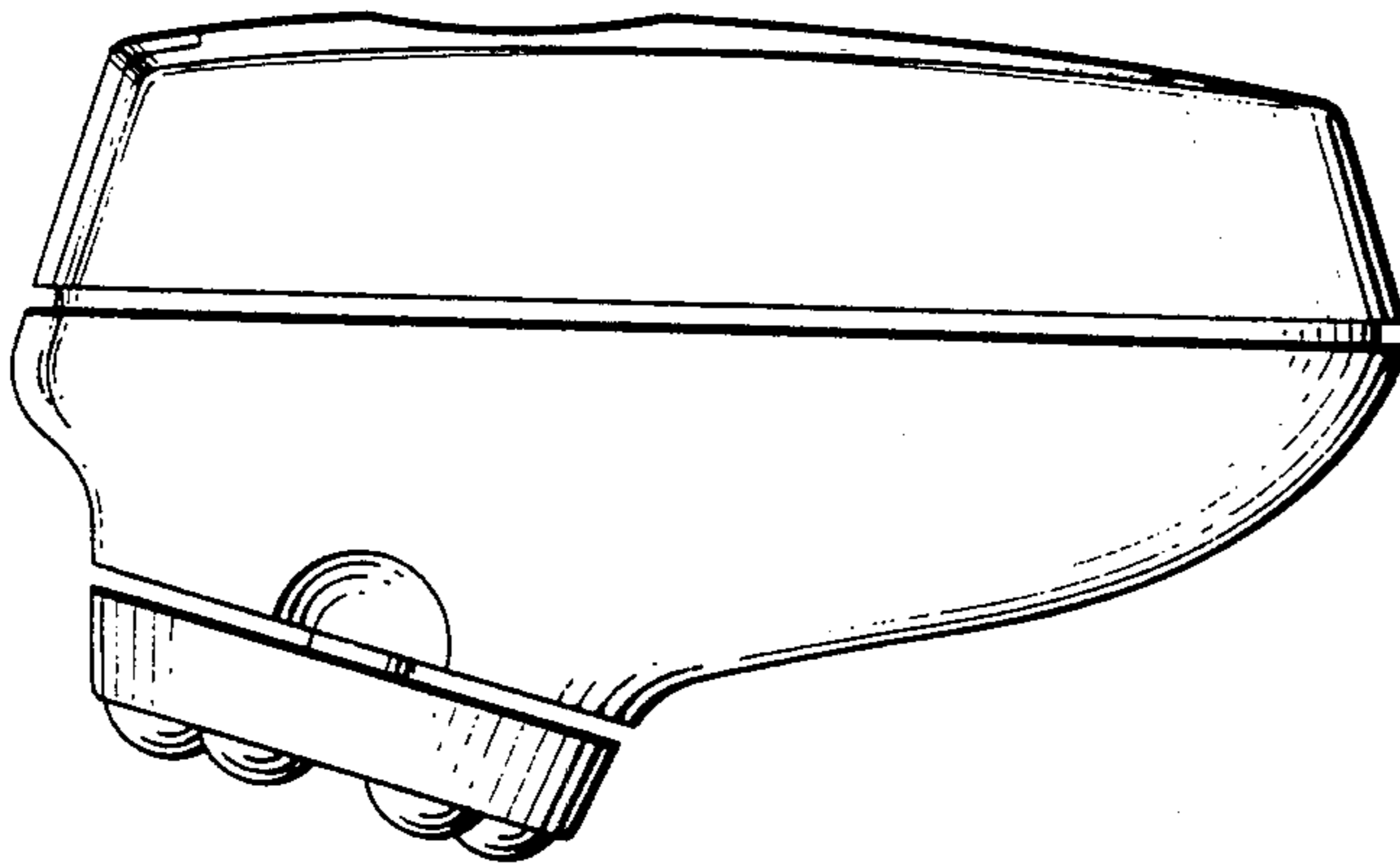


Fig. 3.

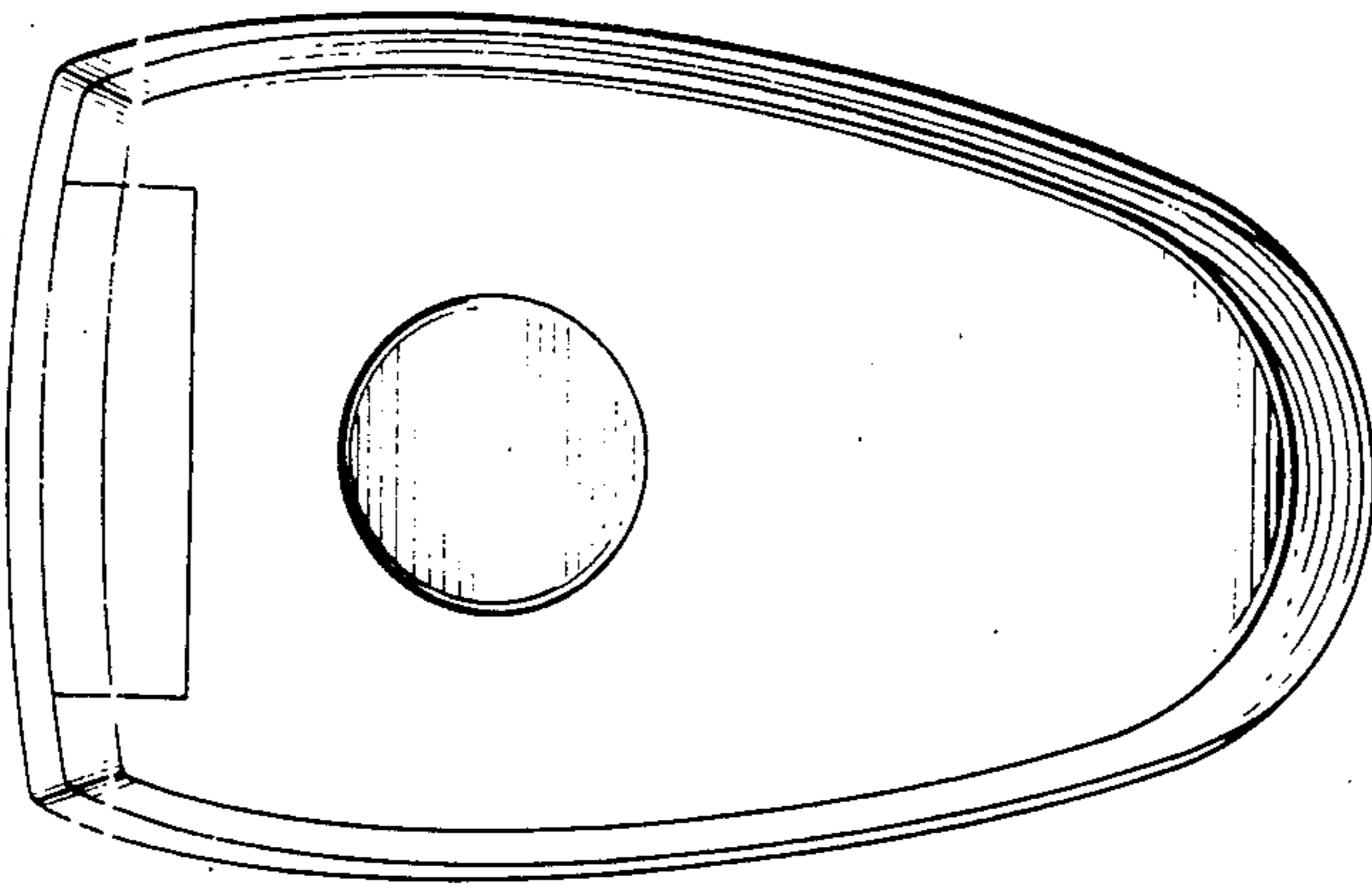


Fig. 4.

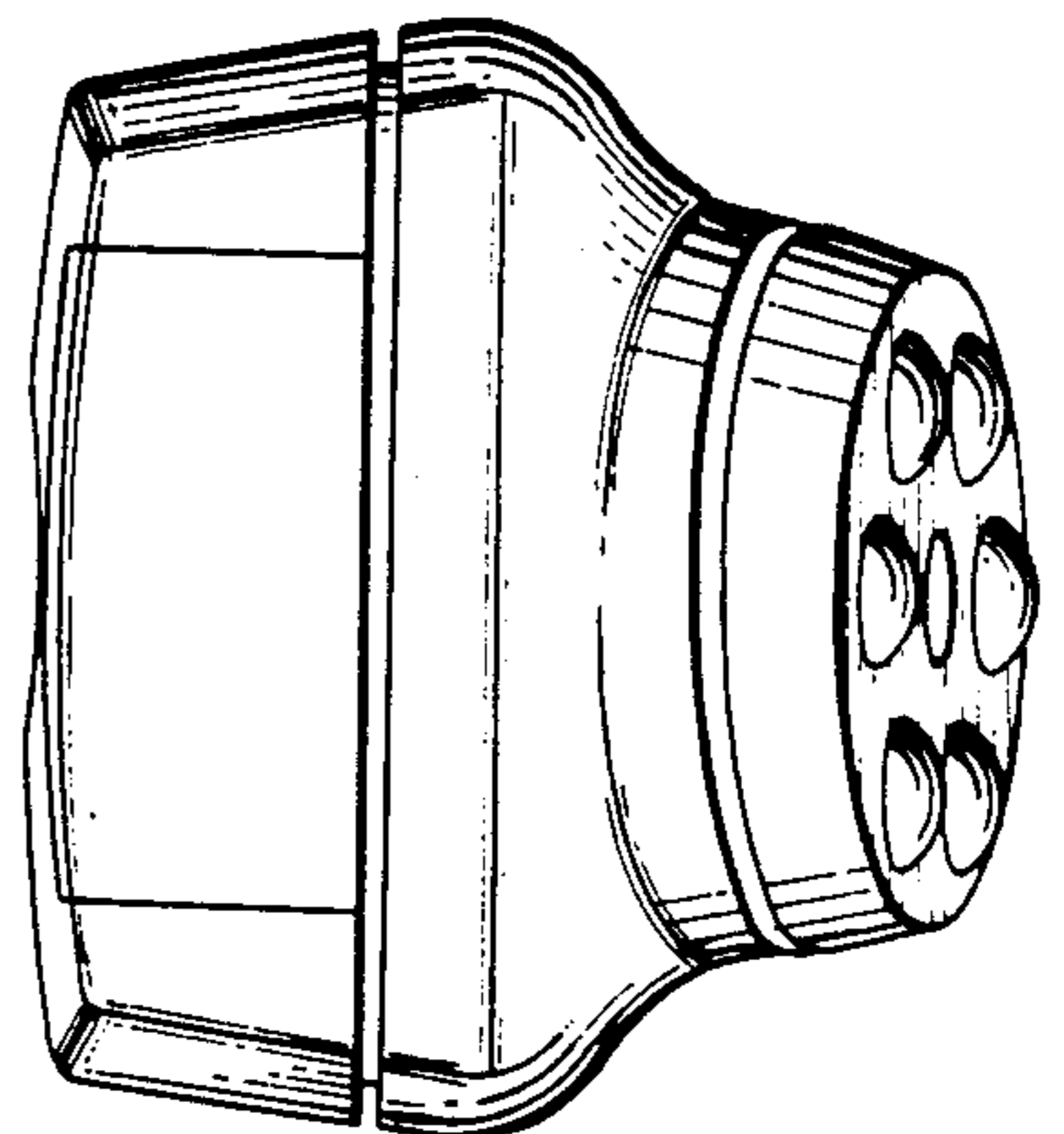


Fig. 5.

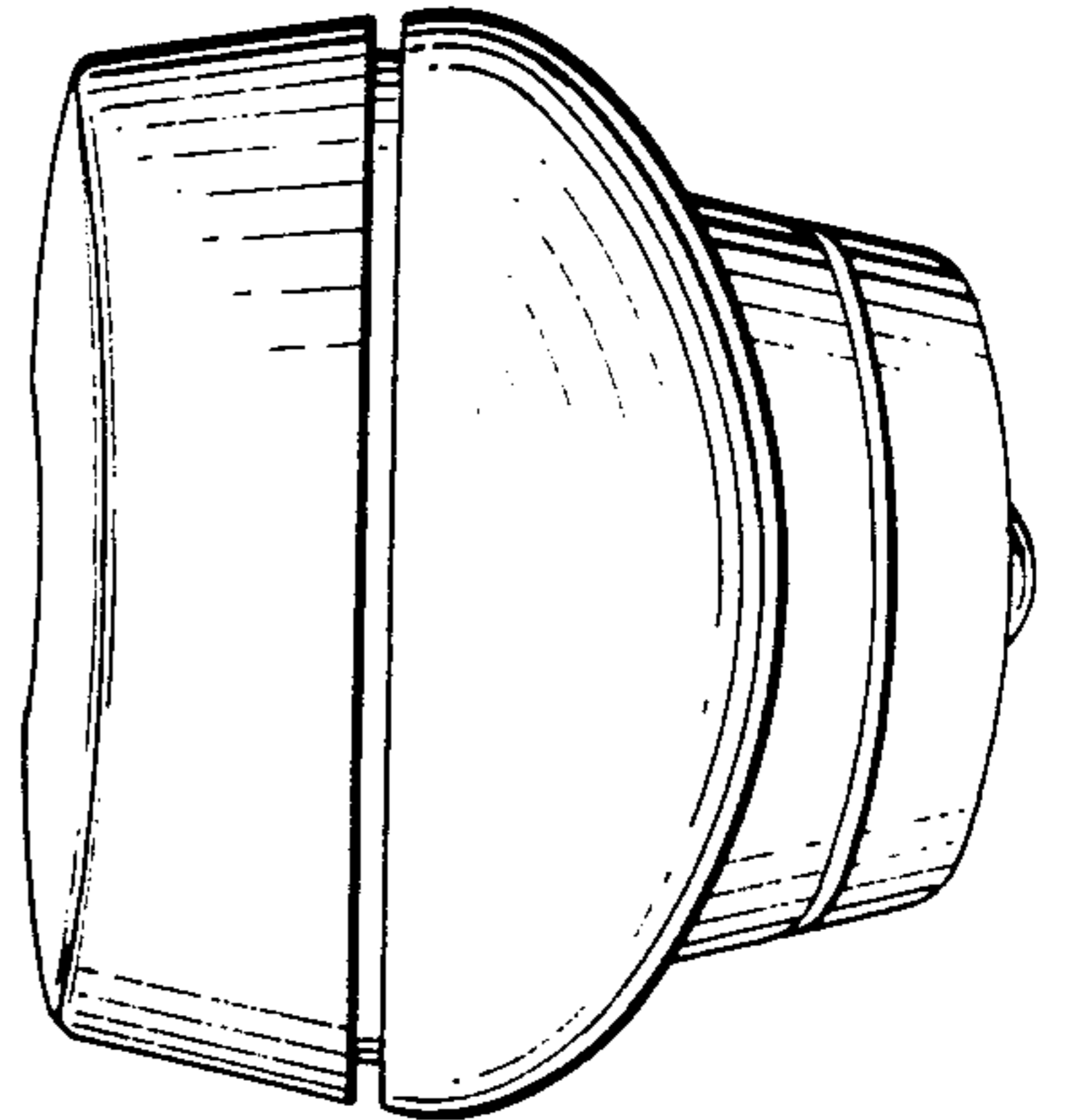
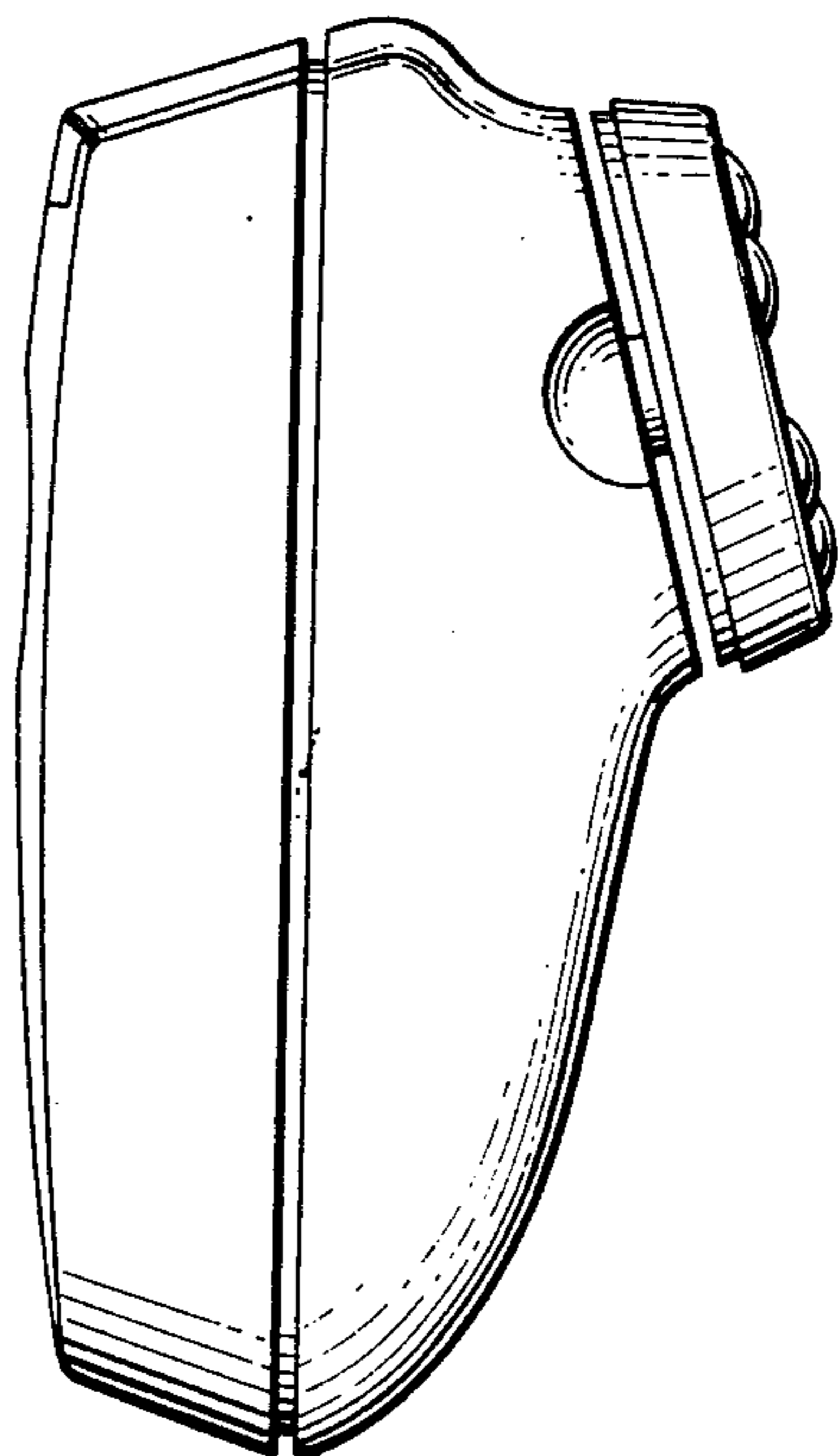
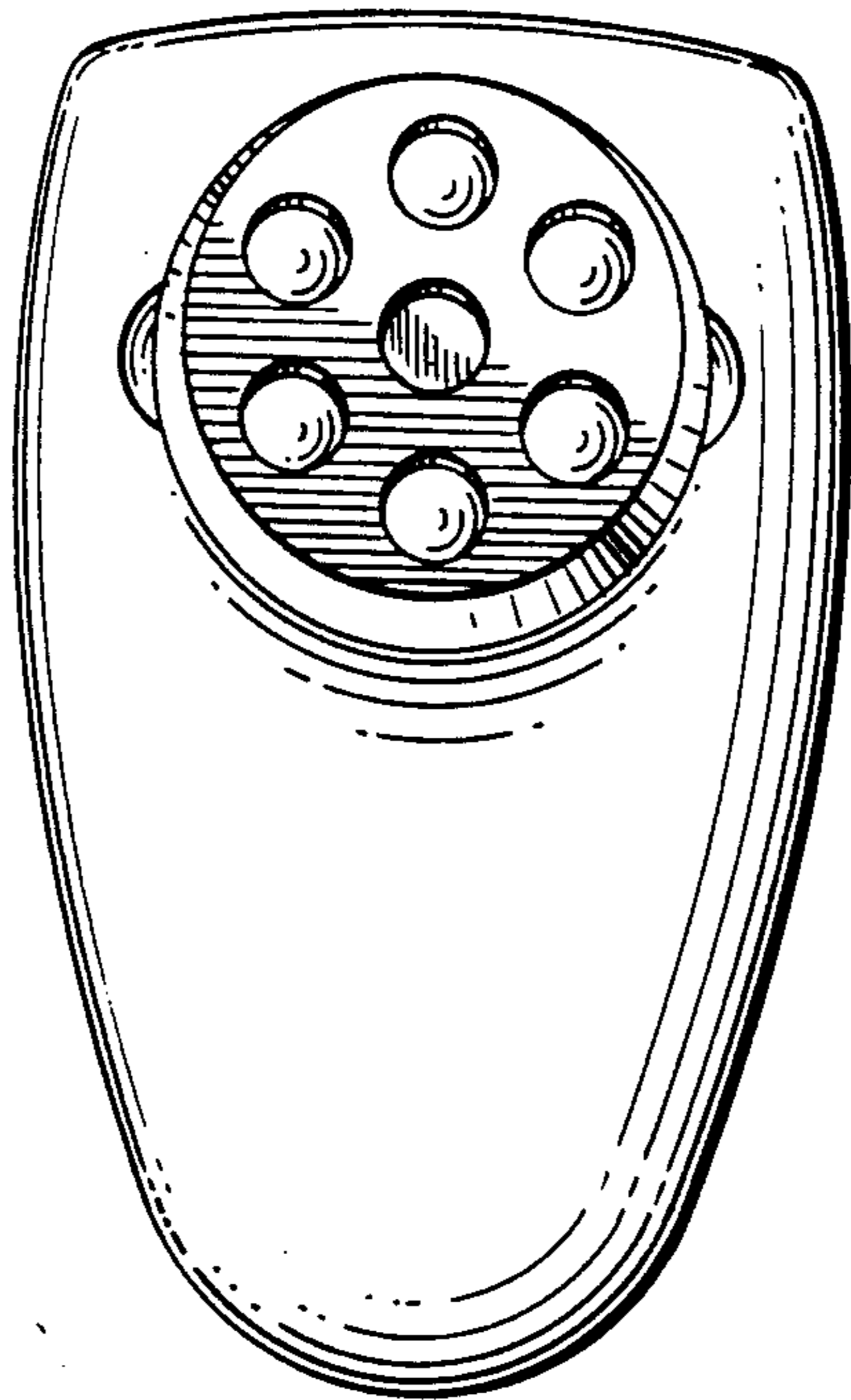


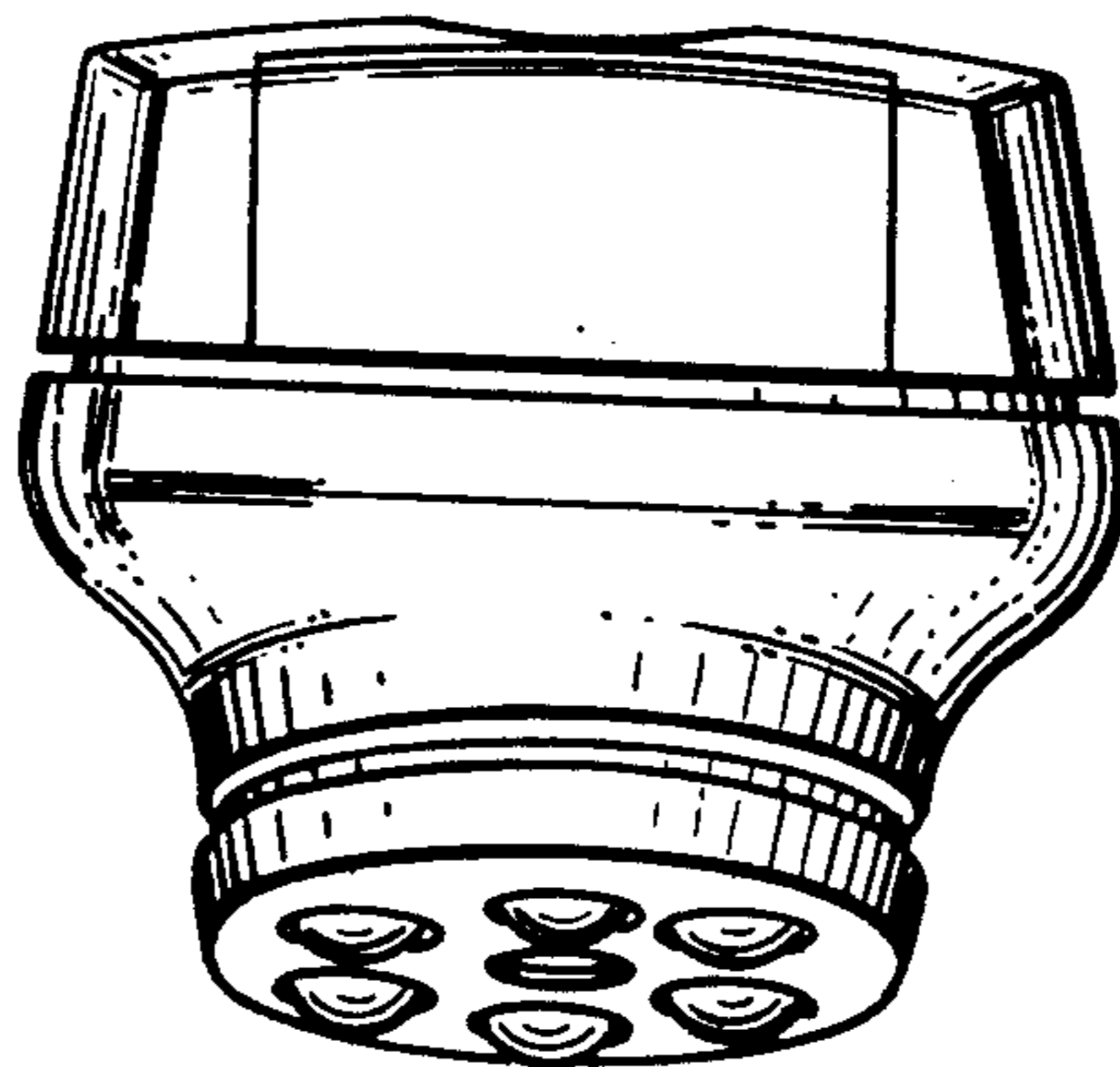
FIG. 6.



F19.7.



F19.8.



F19.9.

