

[54] WATER PURIFICATION UNIT

[75] Inventors: Paul Douglas Maples, Solana Beach; Ralph Edward Ropp, Los Angeles; Peter Paul Klepa, Tujunga, all of Calif.

[73] Assignee: Paul Douglas Maples, Solana Beach, Calif.

[**] Term: 14 Years

[21] Appl. No.: 764,831

[22] Filed: Feb. 2, 1977

[51] Int. Cl. D23-01

[52] U.S. Cl. D23/3

[58] Field of Search D23/2, 3; D9/528, 175; D7/61, 76, 77; 210/241, 244, 245, 321 R

[56] References Cited

U.S. PATENT DOCUMENTS

D. 212,089 8/1968 Peifer D23/2

D. 212,440	10/1968	Cannon et al.	D7/77
D. 225,883	1/1973	DiPierro et al.	D7/61
D. 227,345	6/1973	Bell et al.	D9/52
D. 232,550	8/1974	Fushihara	D23/3
D. 240,624	7/1976	MacMurray	D23/3
3,670,892	6/1972	Baerg et al.	210/321 R
3,939,074	2/1976	Bray	210/257 M

Primary Examiner—James R. Largen
Attorney, Agent, or Firm—Carl R. Brown

[57] CLAIM

The ornamental design for a water purification unit, as shown.

DESCRIPTION

FIG. 1 is a perspective view taken from the top, front and left side of a water purification unit showing our new design;

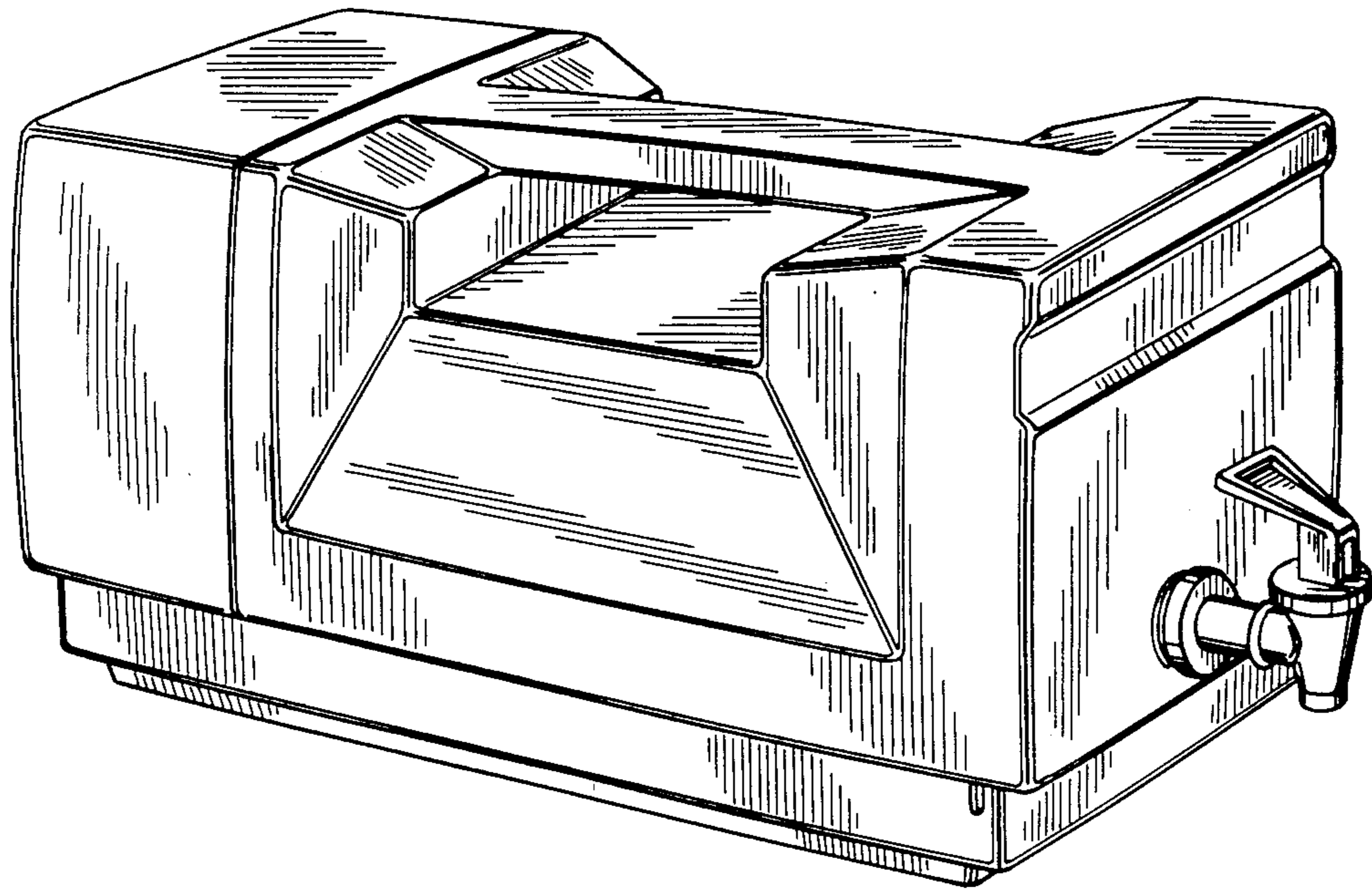
FIG. 2 is a right side elevational view thereof;

FIG. 3 is a top plan view thereof;

FIG. 4 is a bottom plan view thereof;

FIG. 5 is a front elevational view thereof; and

FIG. 6 is a rear elevational view thereof.



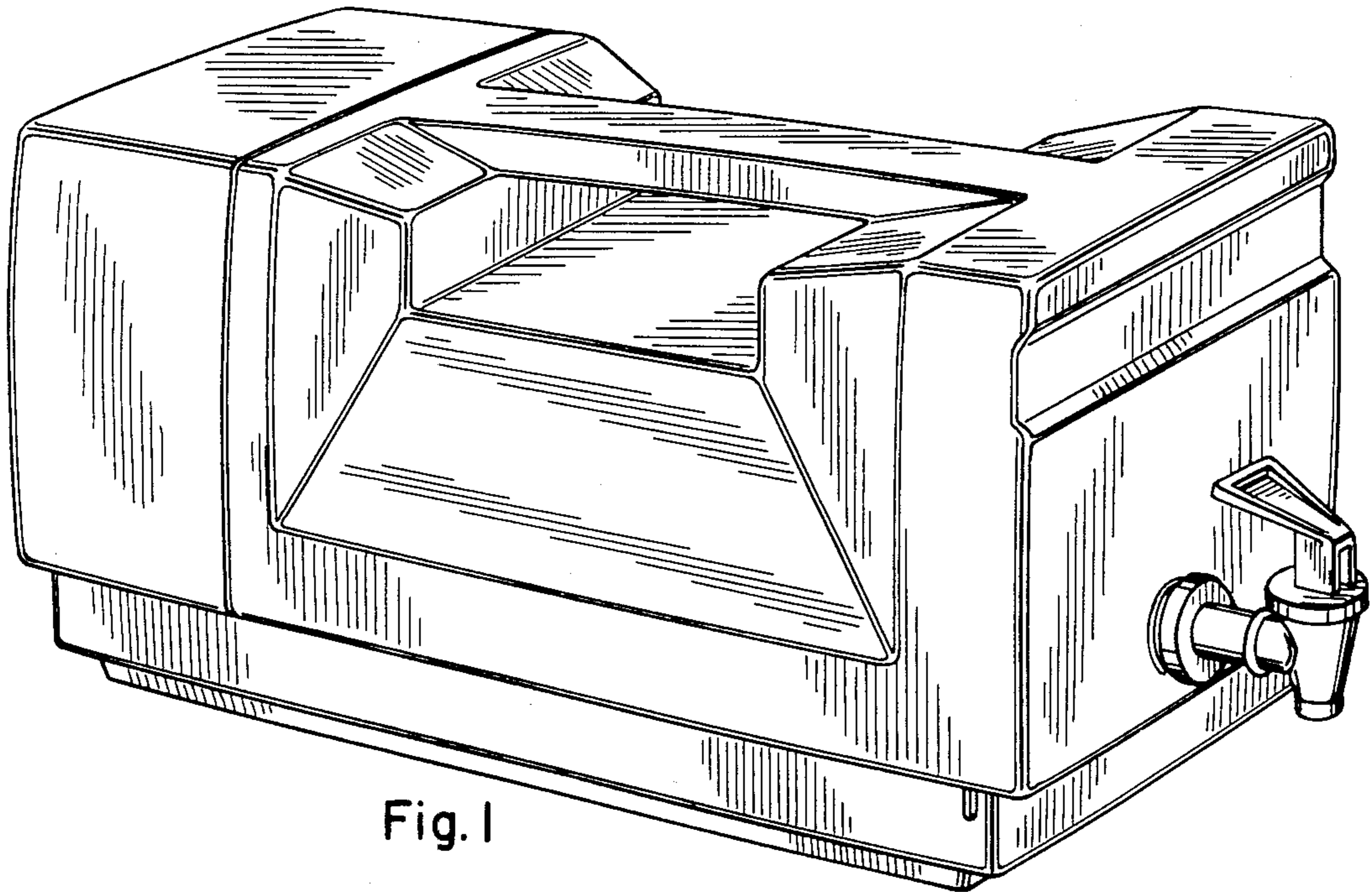


Fig. 1

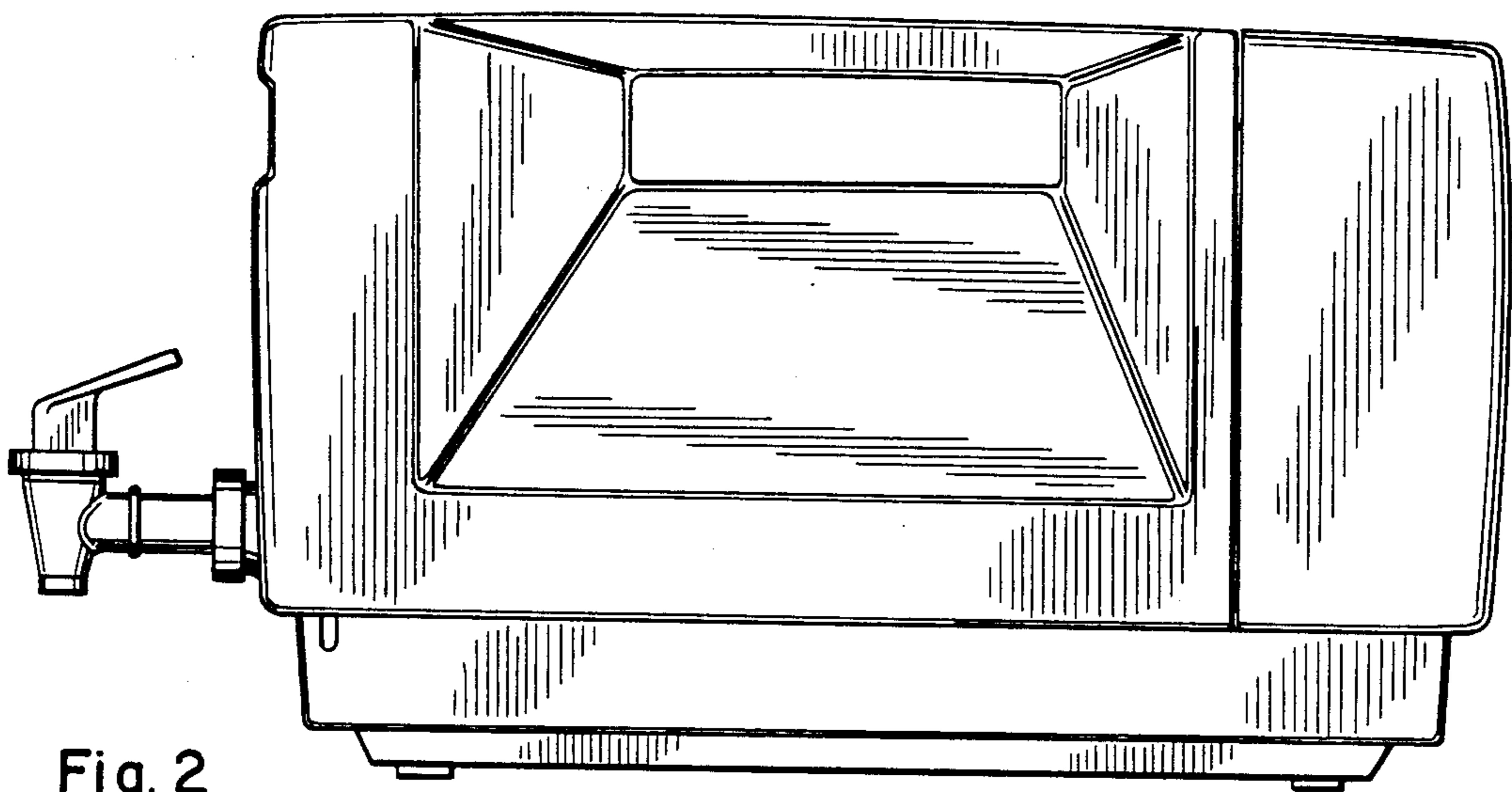


Fig. 2

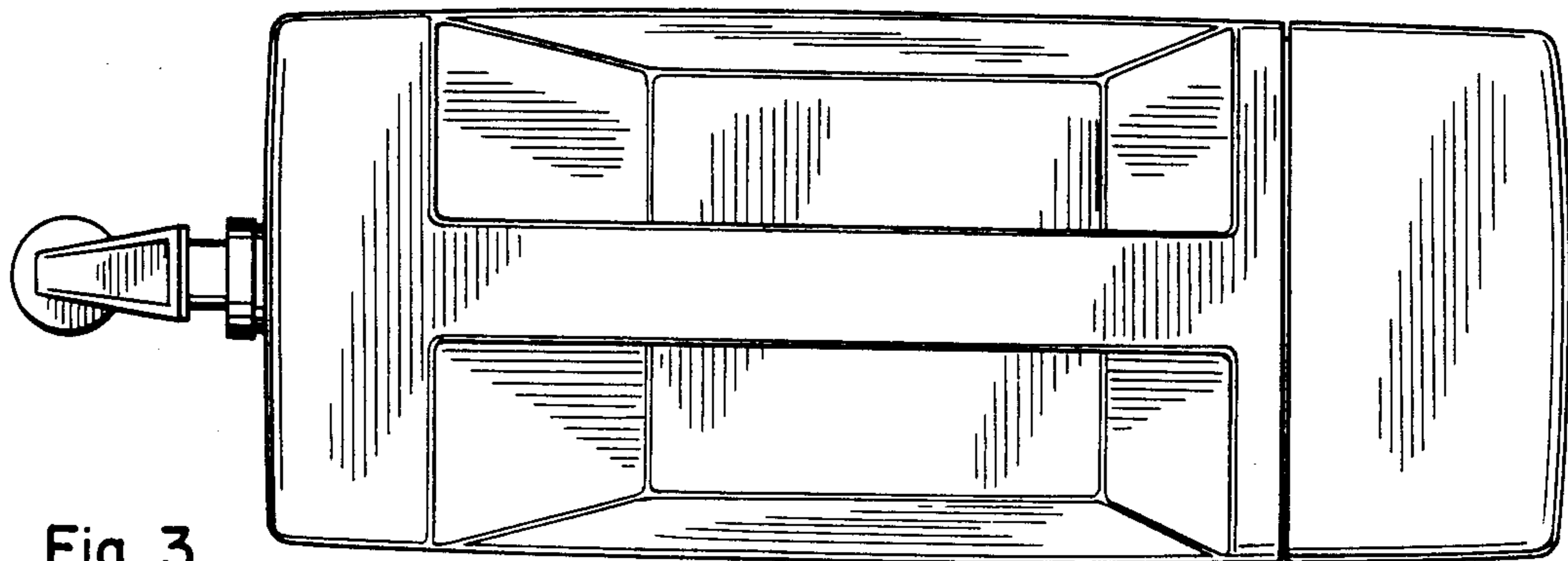


Fig. 3

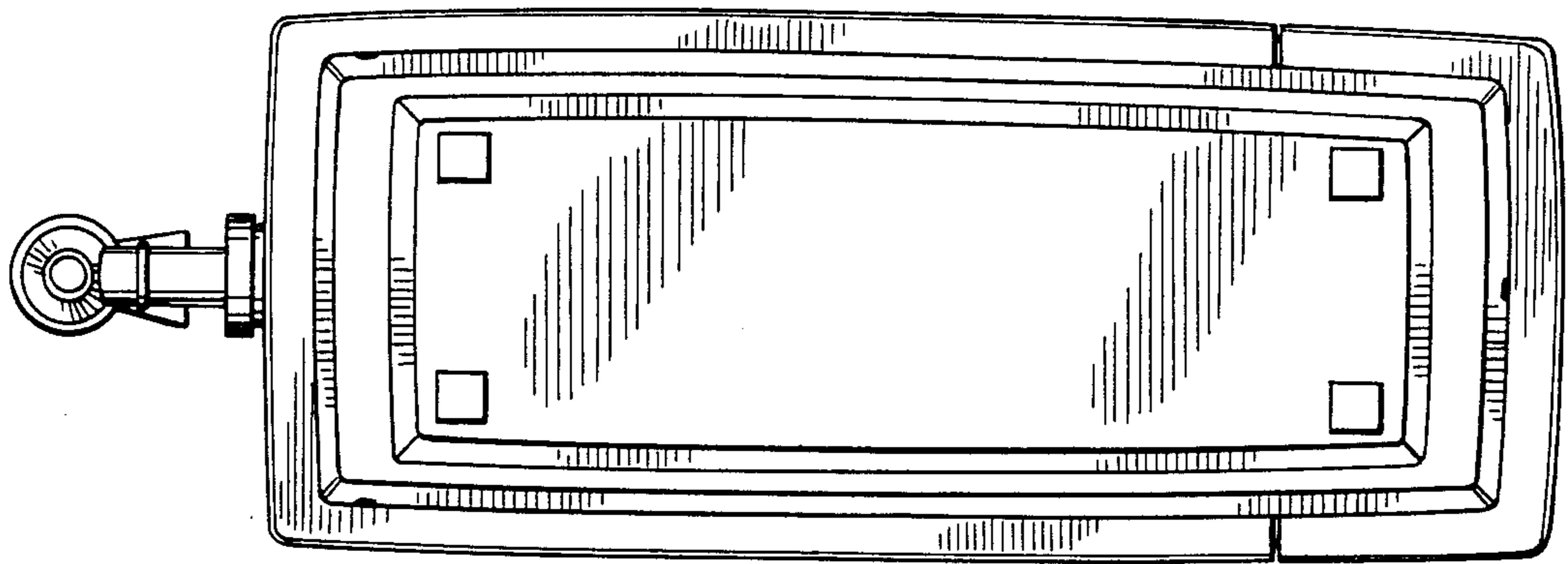


Fig. 4

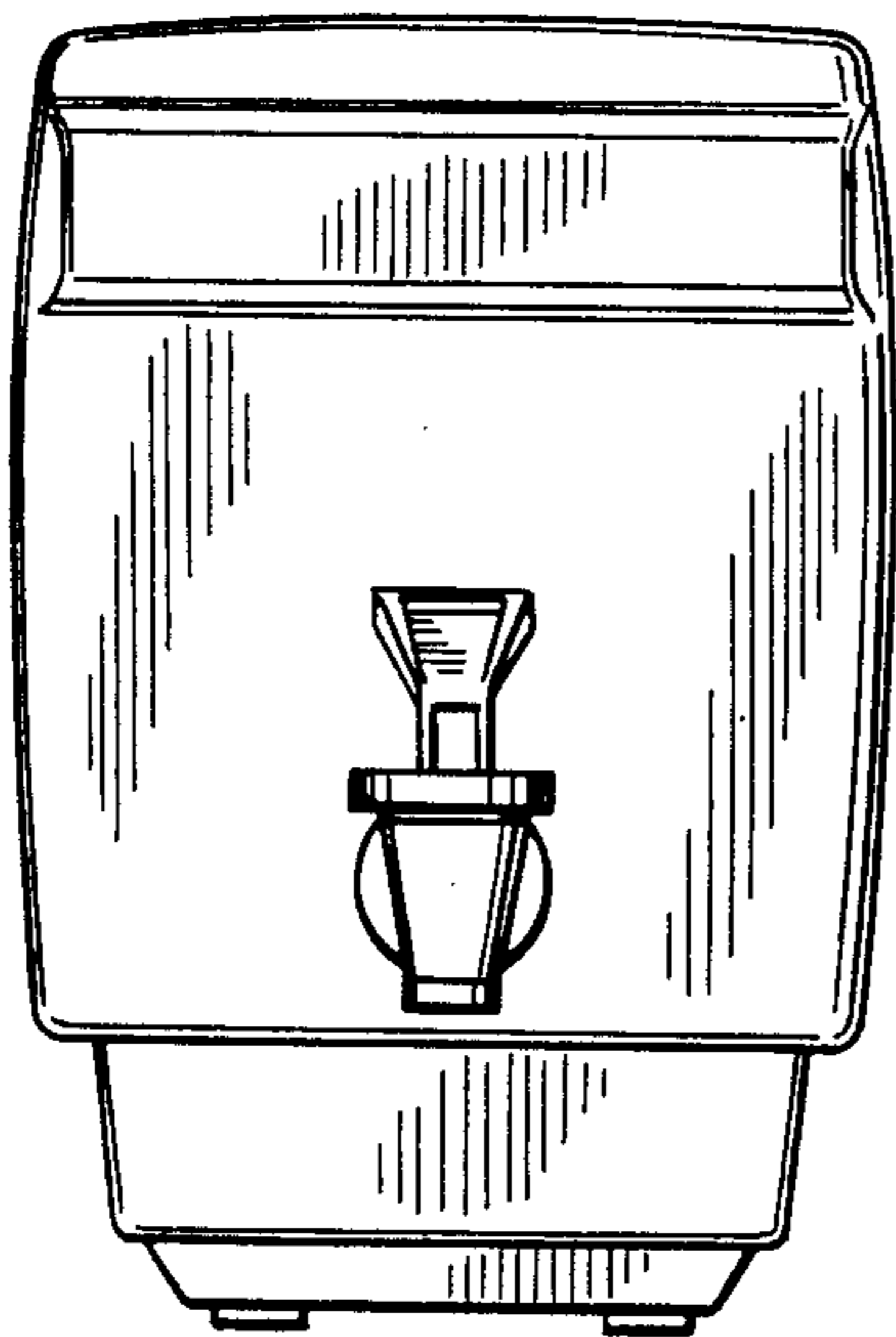


Fig. 5

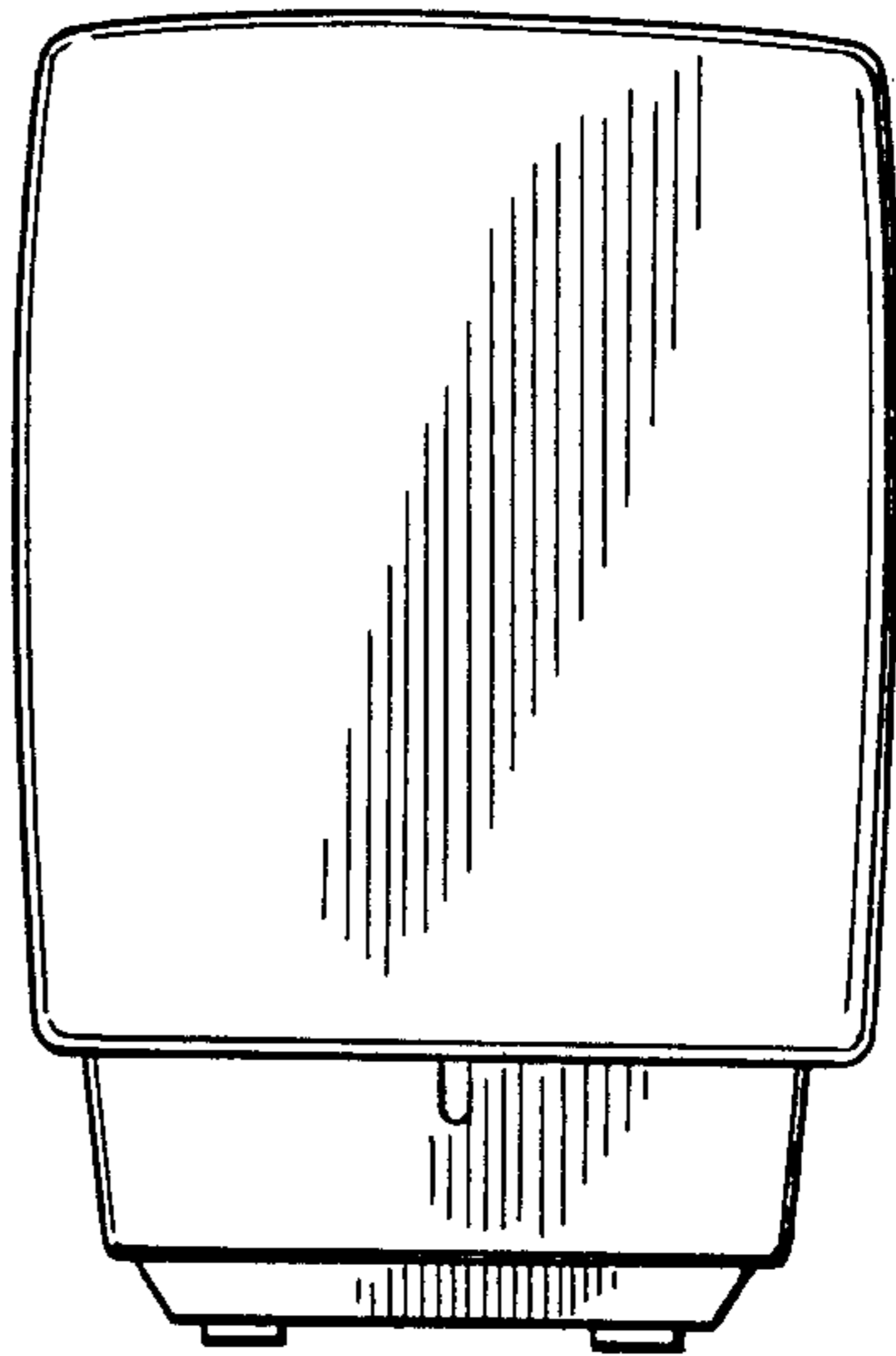


Fig. 6