

[54] **COMBINED EDUCATIONAL GAME BOARD AND COUNTING BOARD FOR TEACHING FUNDAMENTALS OF ARITHMETIC**

[76] Inventors: **Gene A. Hester**, 1045 Shook No. 164, San Antonio, Tex. 78212; **Olga Dominguez**, P.O. Box 433 (115 Scott St.), San Marcos, Tex. 78666

[\*\*] Term: **14 Years**

[21] Appl. No.: **678,924**

[22] Filed: **Apr. 21, 1976**

[51] Int. Cl. .... **D19-07**

[52] U.S. Cl. .... **D19/59**

[58] Field of Search ..... **D19/59; 35/31 D**

[56]

**References Cited**

**U.S. PATENT DOCUMENTS**

3,871,114	3/1975	Honig .....	35/31 D
3,982,331	9/1976	Solomon .....	35/31 D

*Primary Examiner*—Melvin B. Feifer  
*Attorney, Agent, or Firm*—Donald R. Comuzzi

[57]

**CLAIM**

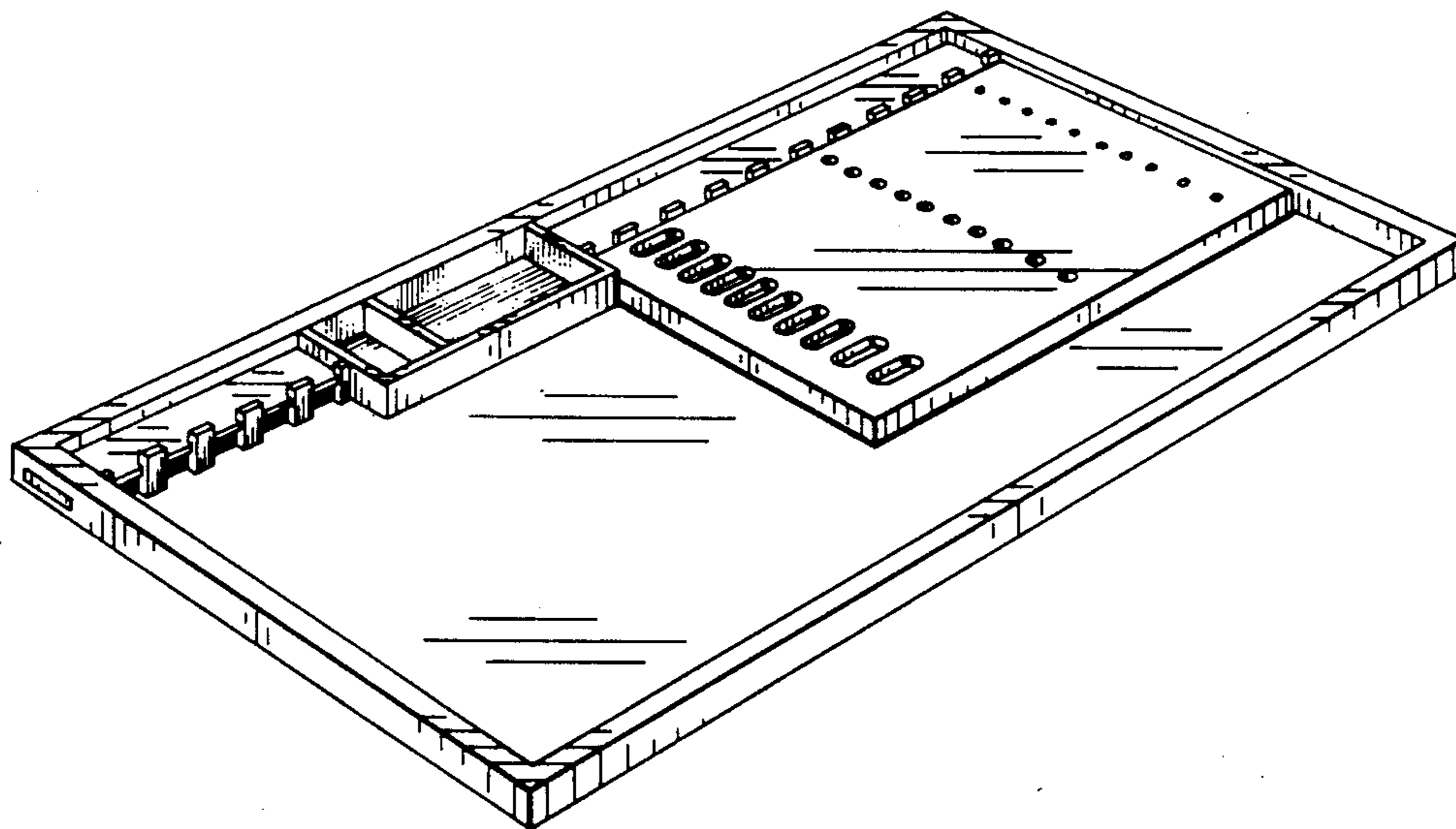
The ornamental design for a combined educational game board and counting board for teaching fundamentals of arithmetic, as shown and described.

**DESCRIPTION**

FIG. 1 is a perspective view of a combined educational game board and counting board for teaching fundamentals of arithmetic showing our new design. The bottom of the board is a flat planar surface.

FIG. 2 is a perspective view taken from the right thereof with the counting board removed for convenience of illustration;

FIG. 3 is another perspective view taken from the left of FIG. 2.



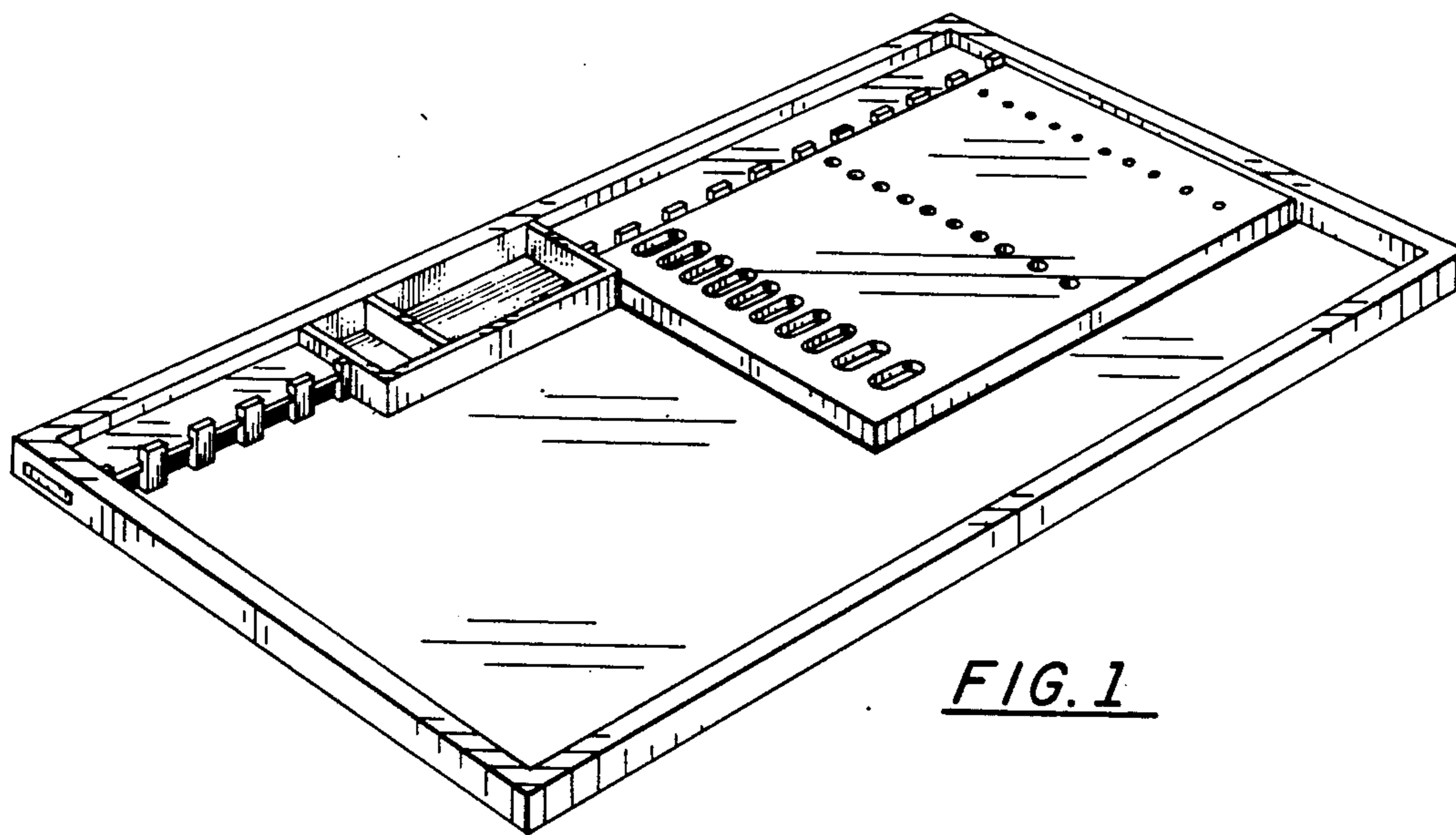


FIG. 1

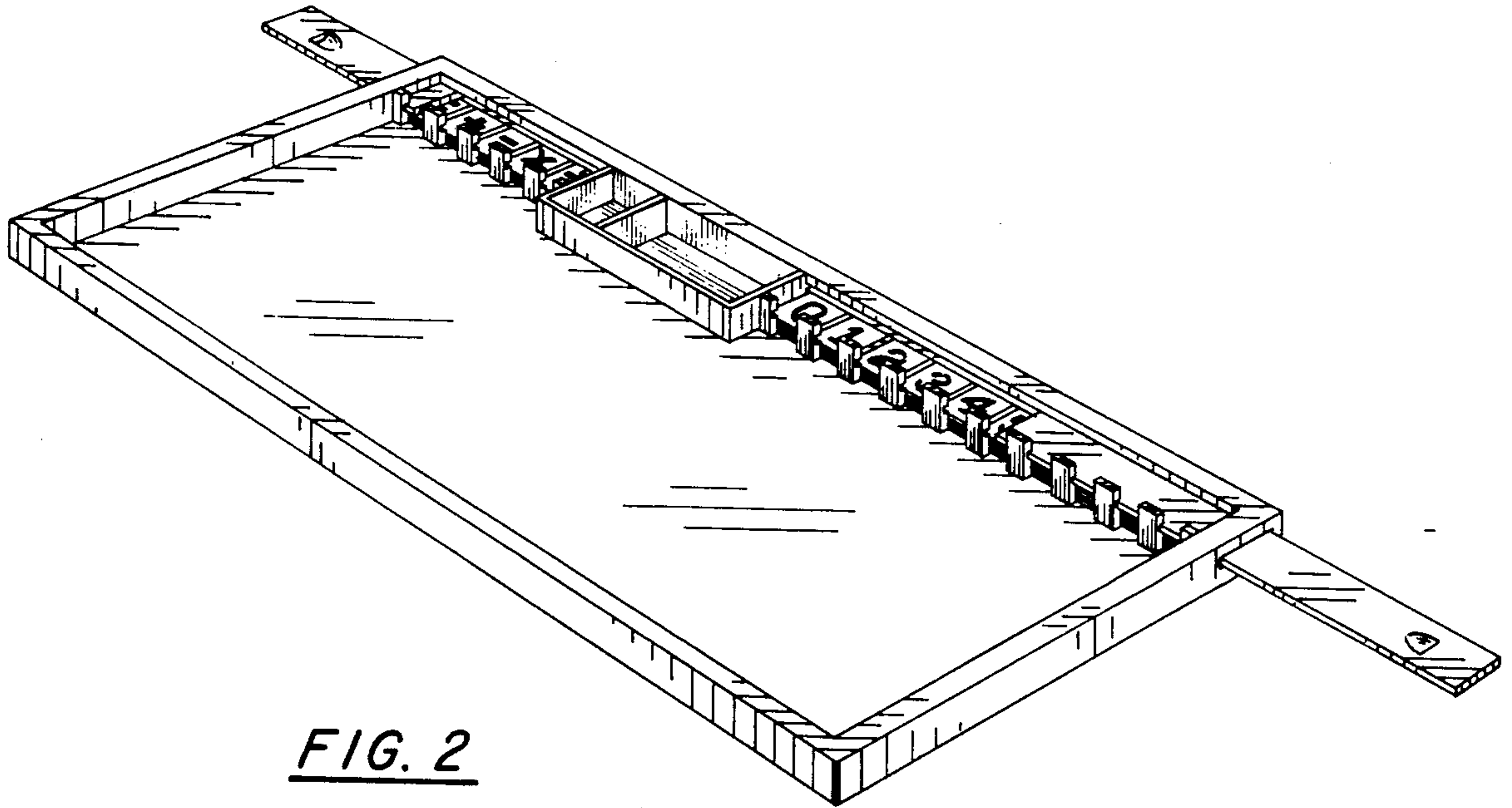


FIG. 2

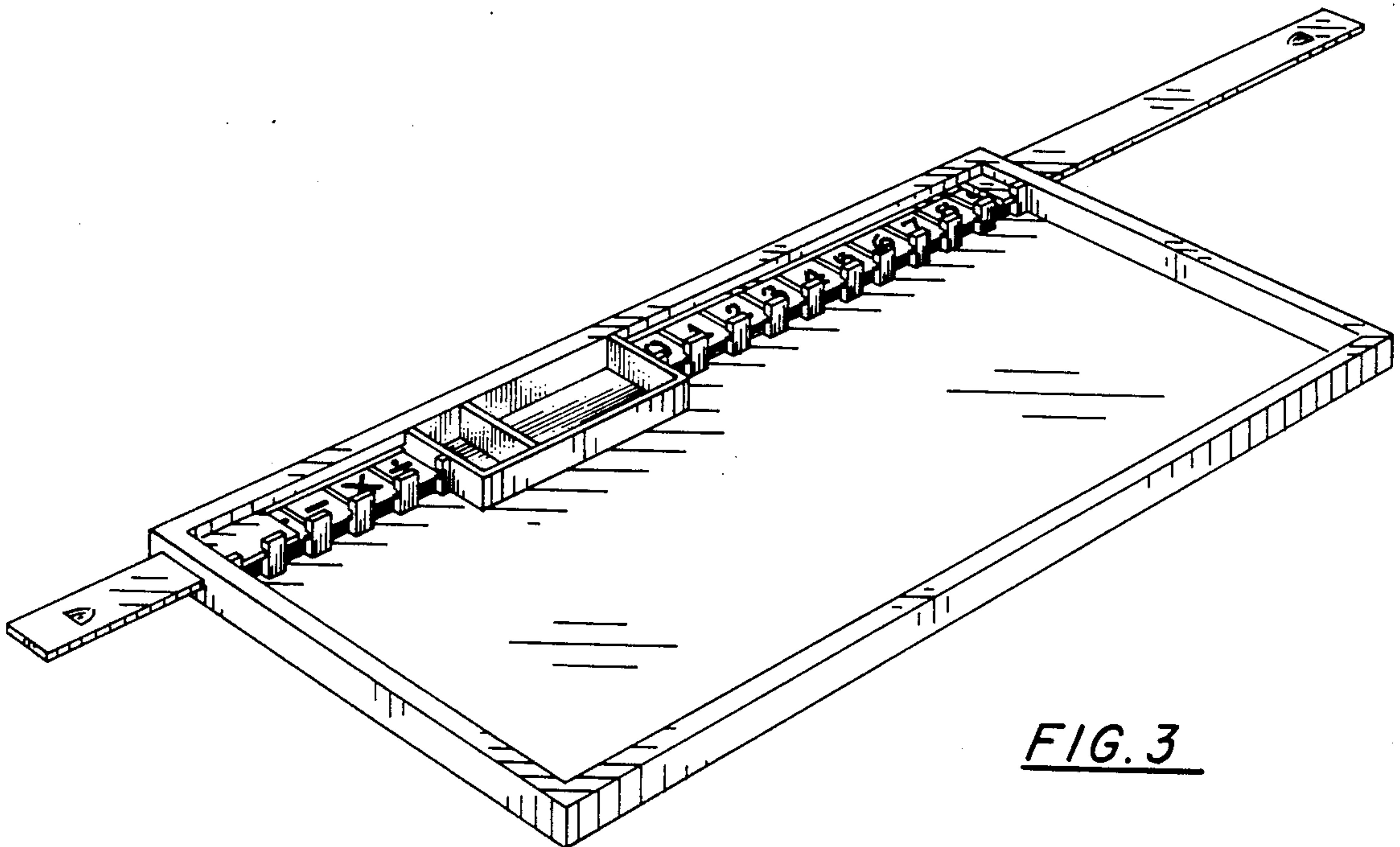


FIG. 3