

[54] SEWING MACHINE

[75] Inventors: **Takahiko Kasahara; Sigeharu Shichi,** both of Anjo; **Masayuki Kato,** Owariasahi; **Senji Suito, Kariya,** all of Japan

[73] Assignee: **Aisin Seiki Kabushiki Kaisha, Kariya,** Japan

[**] Term: **14 Years**

[21] Appl. No.: **713,205**

[22] Filed: **Aug. 10, 1976**

[30] **Foreign Application Priority Data**

Feb. 12, 1976 [JP] Japan 51-4356

[51] Int. Cl. **D15-06**

[52] U.S. Cl. **D15/68**

[58] Field of Search **D15/66-72, D15/74, 76, 78**

[56]

References Cited

U.S. PATENT DOCUMENTS

D. 161,246	12/1950	Robert	D15/68
D. 178,190	7/1956	Hosoe	D15/68
D. 193,696	9/1962	Szuba	D15/72
D. 232,384	8/1974	La Police	D15/76

OTHER PUBLICATIONS

Design, 6-76, p. 35, bottom, Sewing Machine.

Primary Examiner—Joel Stearman

Assistant Examiner—J. Corrigan

Attorney, Agent, or Firm—Marcus B. Finnegan

[57]

CLAIM

The ornamental design for a sewing machine, as shown and described.

DESCRIPTION

FIG. 1 is a front elevational view of a sewing machine showing our new design;

FIG. 2 is a rear elevational view;

FIG. 3 is a rear elevational view;

FIG. 4 is a left side elevational view;

FIG. 5 is a right side elevational view;

FIG. 6 is a bottom plan view; and

FIG. 7 is a front, top and left side perspective view.

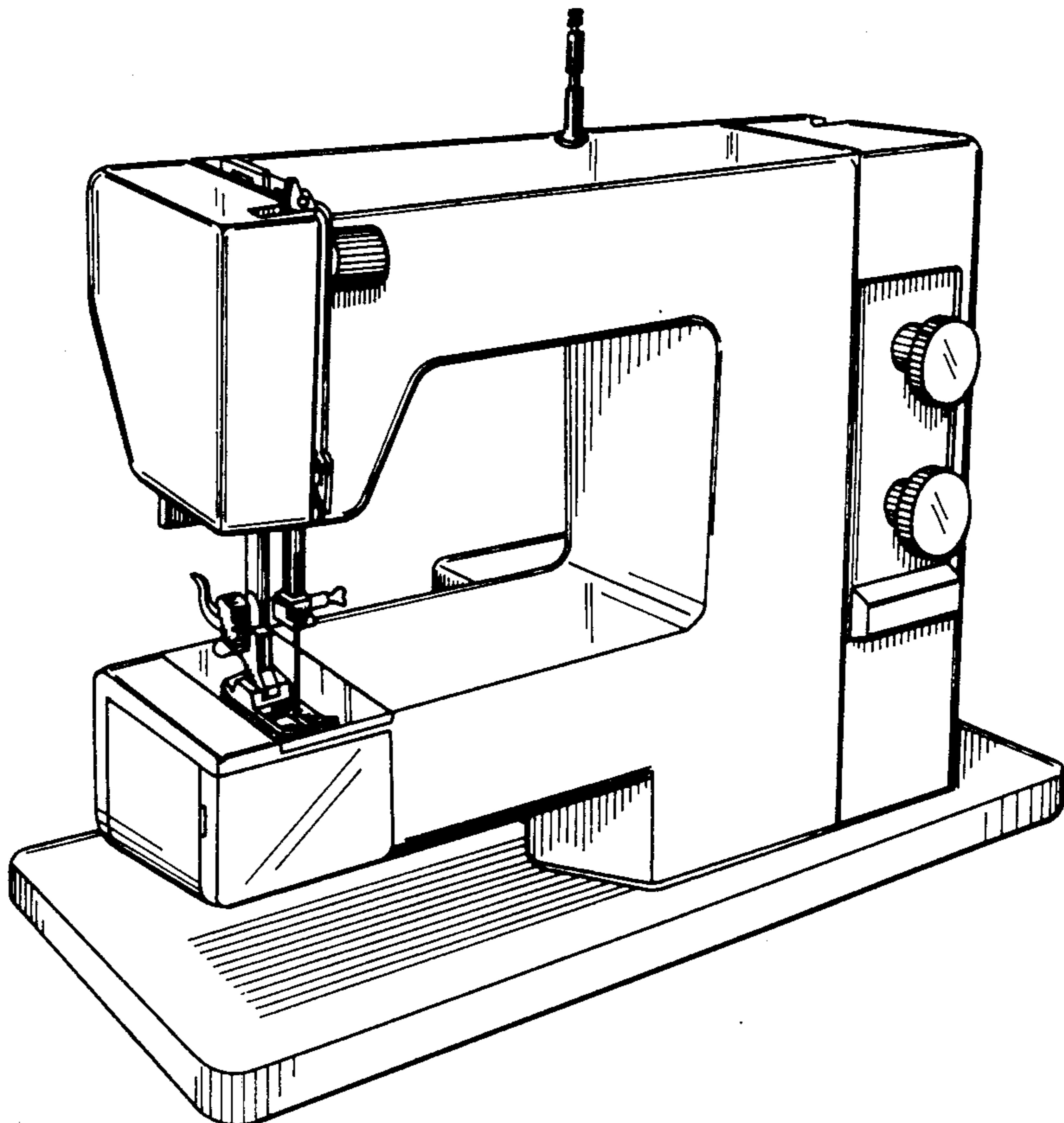


FIG. 1

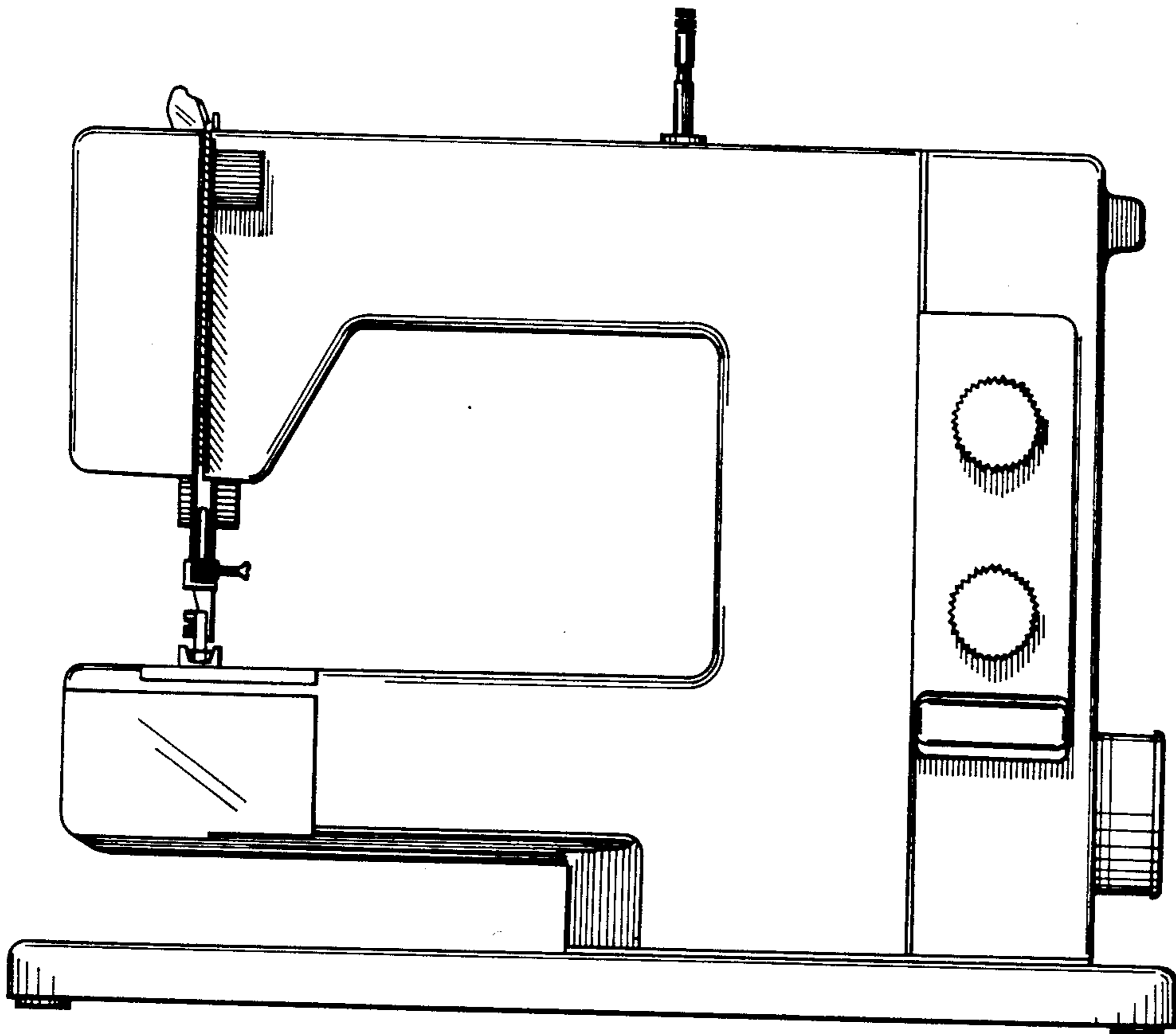


FIG. 2

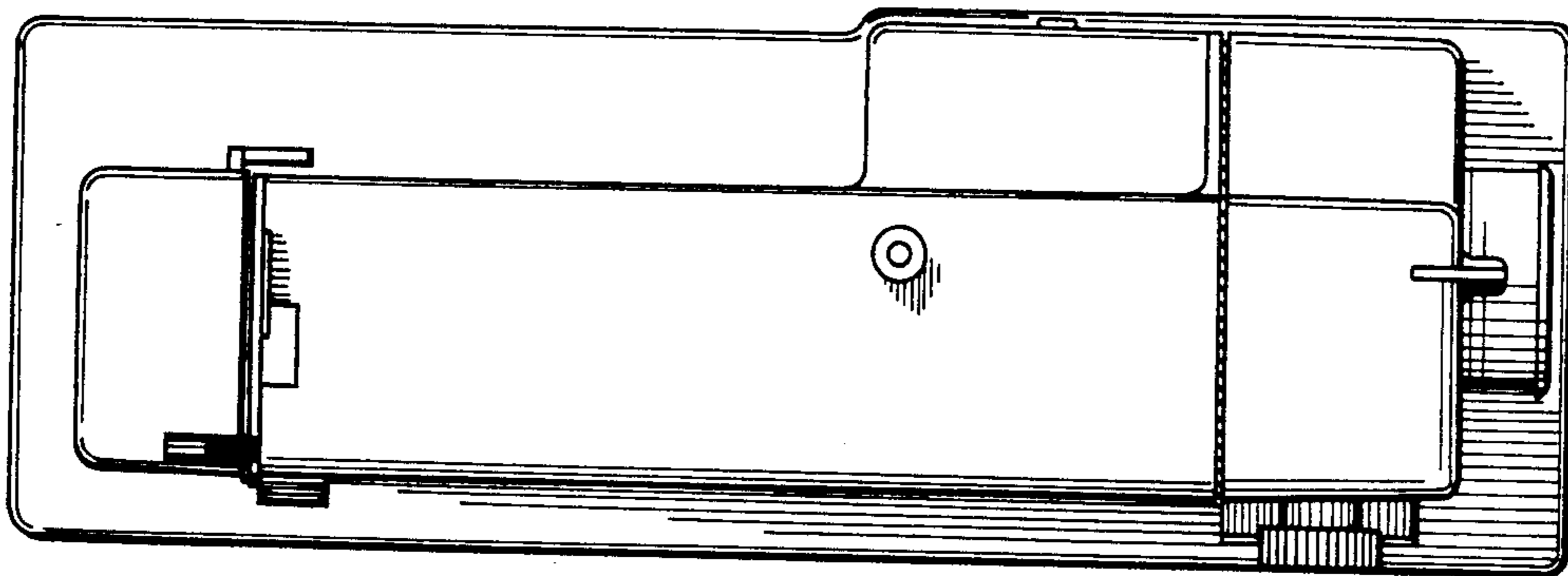


FIG. 3

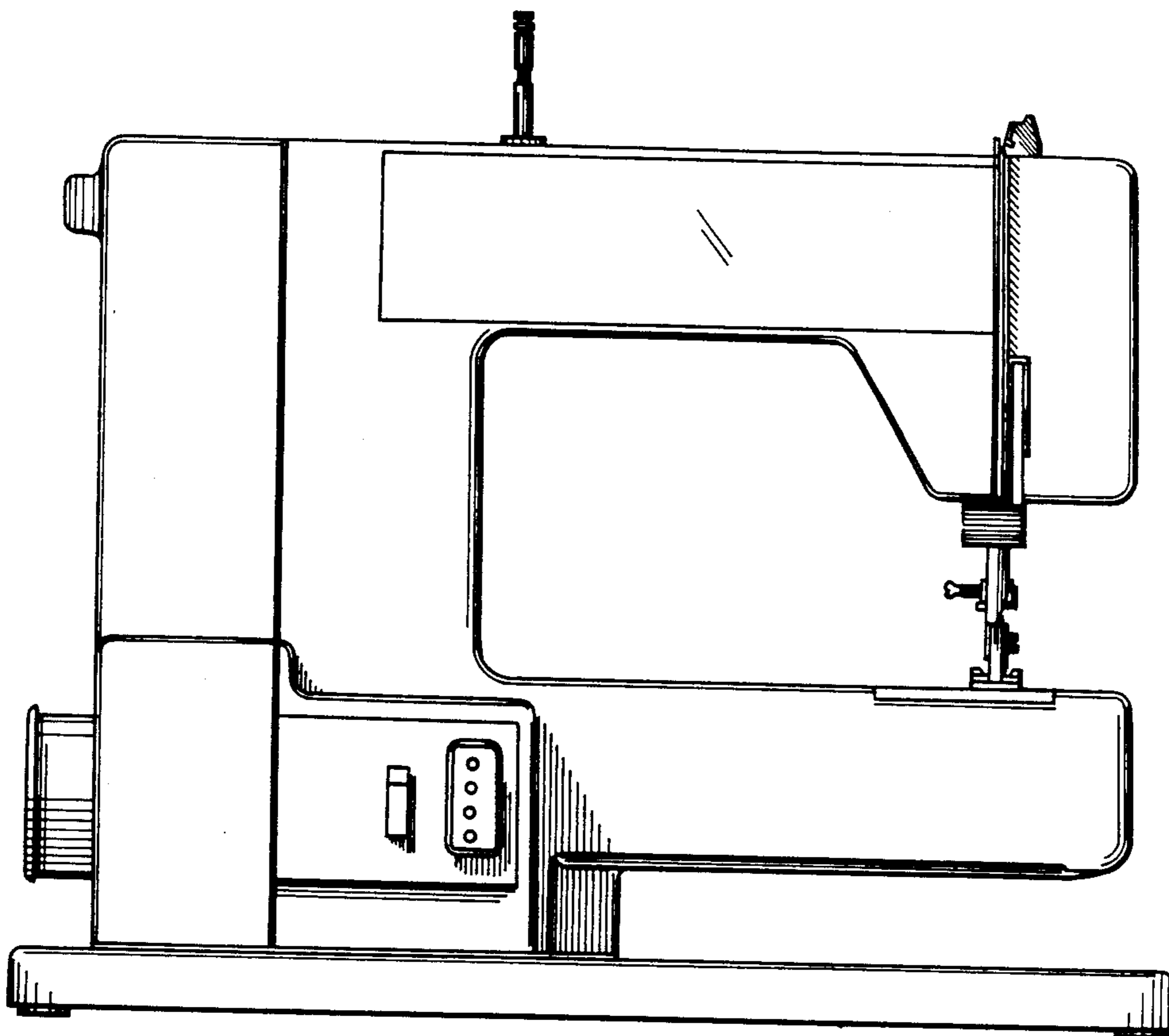


FIG. 6

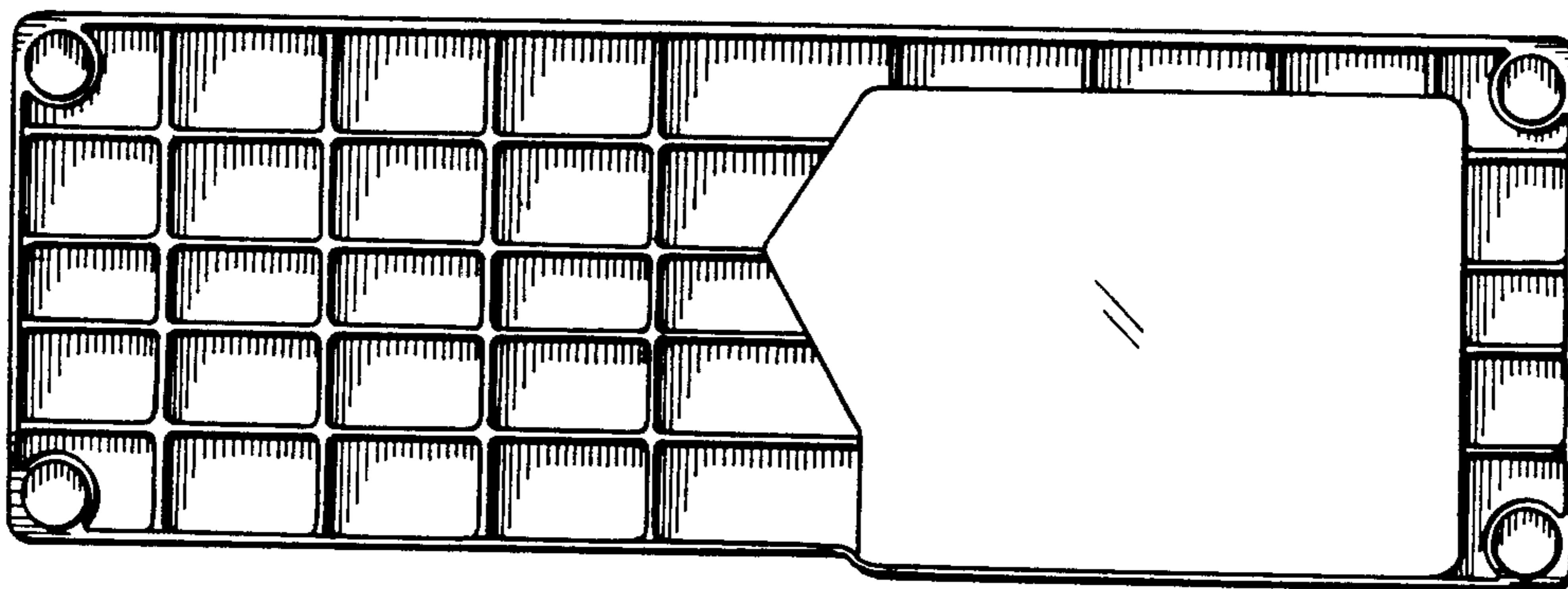


FIG. 4

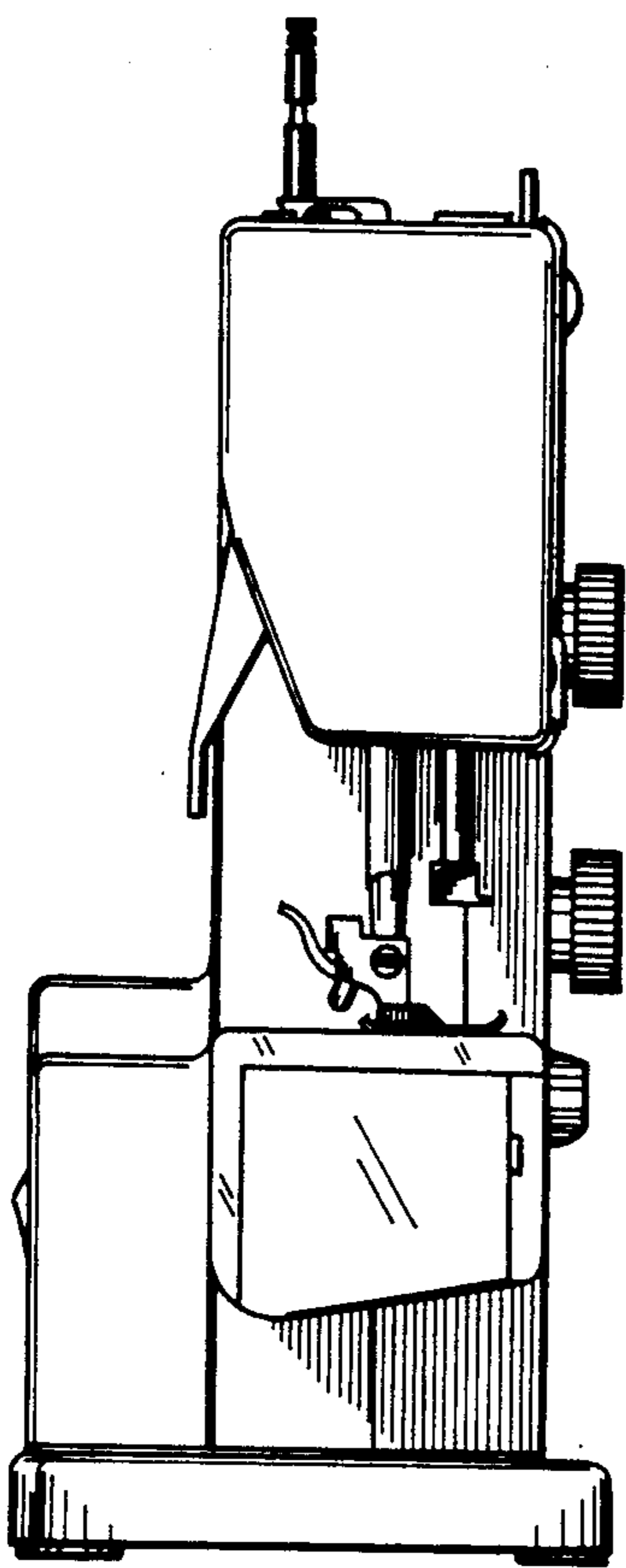


FIG. 5

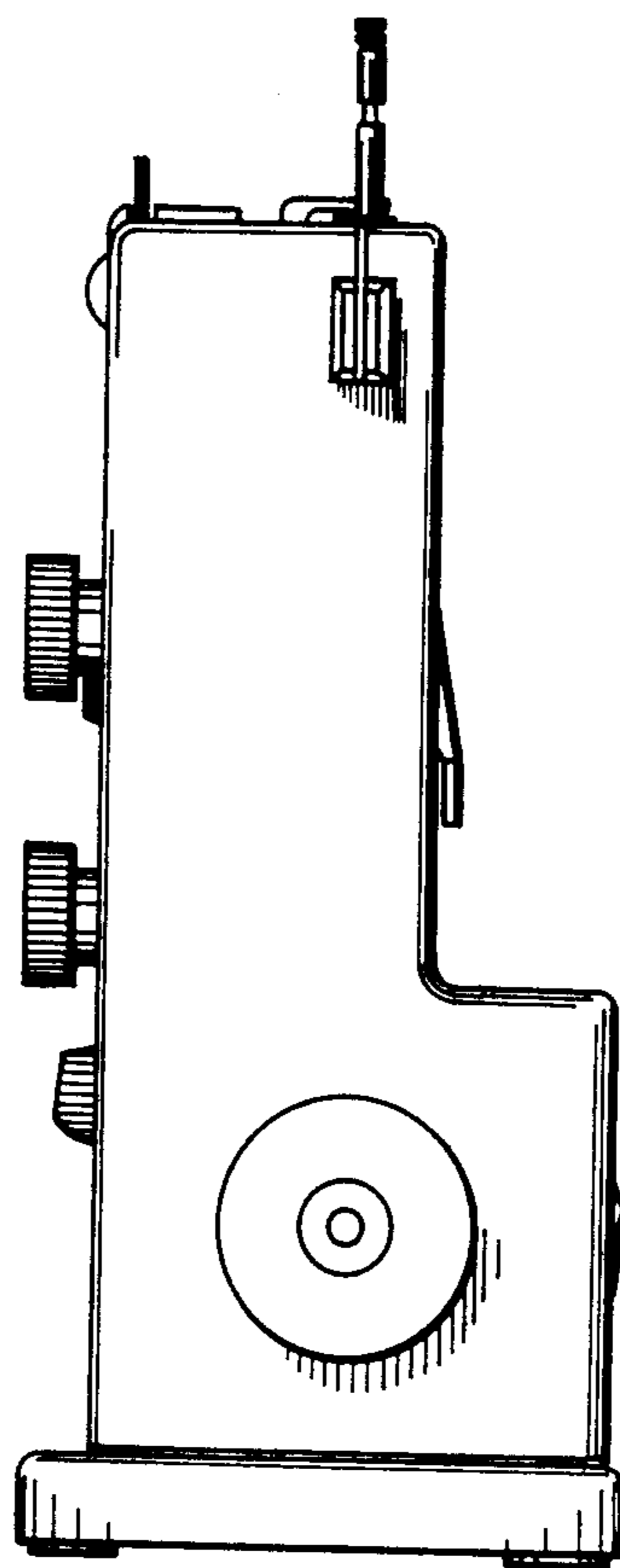


FIG. 7

