

- [54] RADIO TRANSCEIVER AND THE LIKE
- [75] Inventor: Kazuyoshi Imazeki, Tokyo, Japan
- [73] Assignee: General Research of Electronics, Inc., Tokyo, Japan
- [**] Term: 14 Years
- [21] Appl. No.: 756,631
- [22] Filed: Jan. 4, 1977
- [51] Int. Cl. 14-03
- [52] U.S. Cl. D14/68; D14/94; D14/95; D14/52
- [58] Field of Search D14/94, 68, 95, 52; 325/119, 353, 355, 21, 16

- D. 235,449 6/1975 Holcomb D14/68
- D. 237,893 12/1975 Wennerström D14/68
- D. 244,615 6/1977 Mariol D14/68
- D. 244,697 6/1977 Tokiyama D14/95

OTHER PUBLICATIONS

Radio Shack 1976, © 1975, p. 160, Base/Mobile CB 2-Way Radio, Bottom of page.

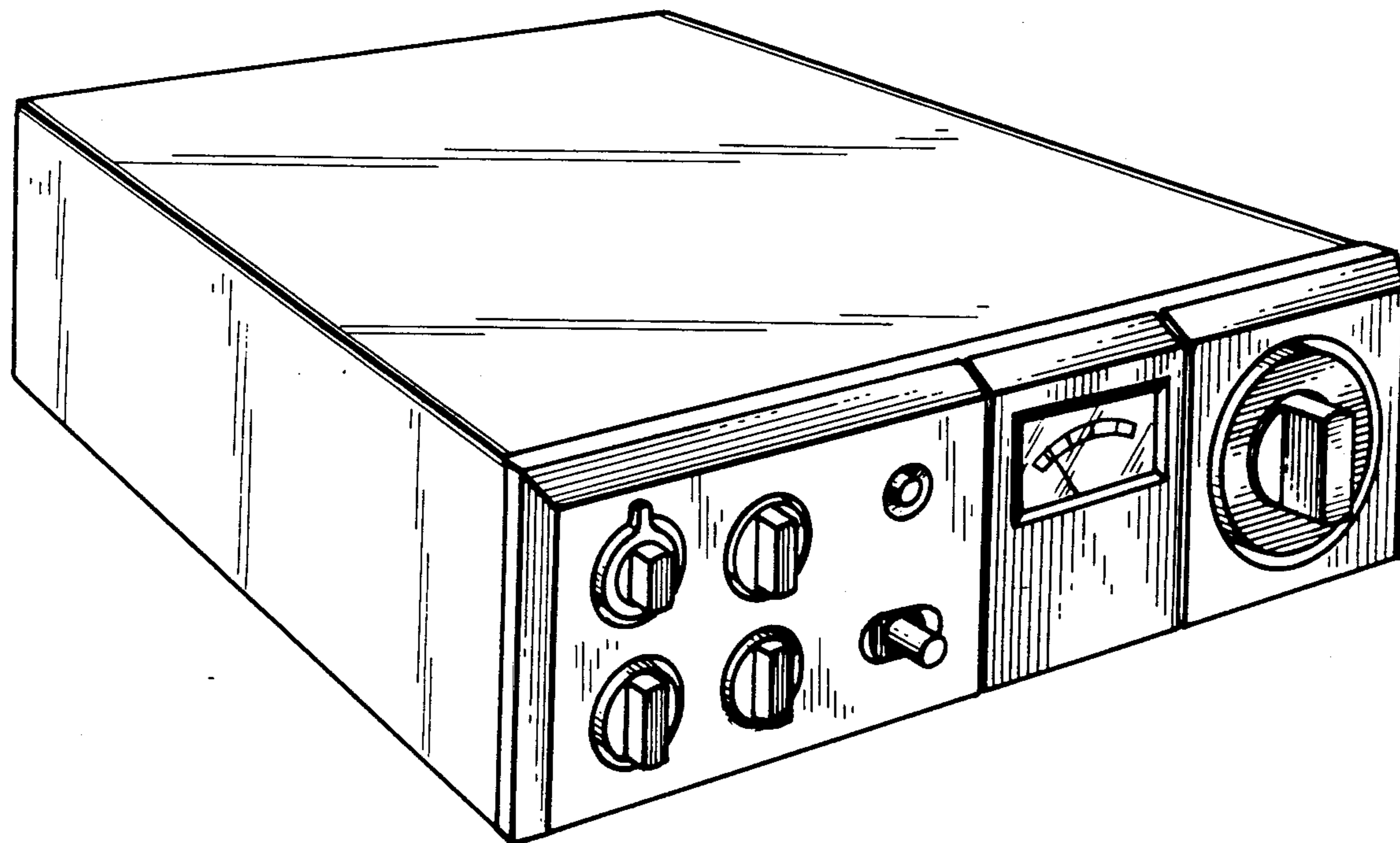
Primary Examiner—Bernard Ansher
Attorney, Agent, or Firm—Richard R. Trexler

[57] CLAIM

The ornamental design for a radio transceiver and the like, substantially as shown and described.

DESCRIPTION

FIG. 1 is a front perspective view of a radio transceiver and the like showing my new design; FIG. 2 is a front elevation of the transceiver; and FIG. 3 is a right side elevation thereof. The undisclosed rear side is plane and unornamented.



- [56] References Cited
- U.S. PATENT DOCUMENTS
- D. 226,316 2/1973 Seiden D14/68

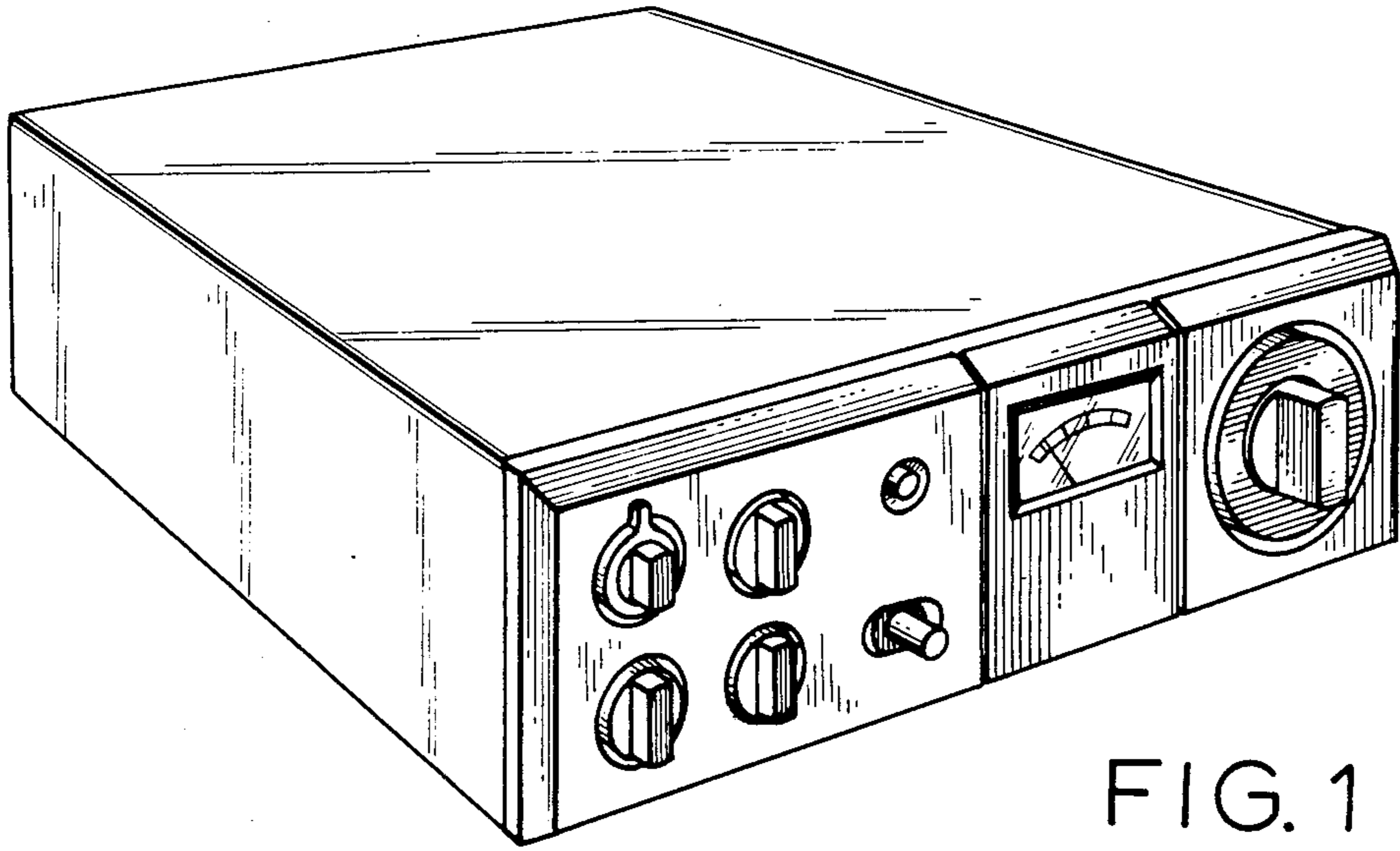


FIG. 1

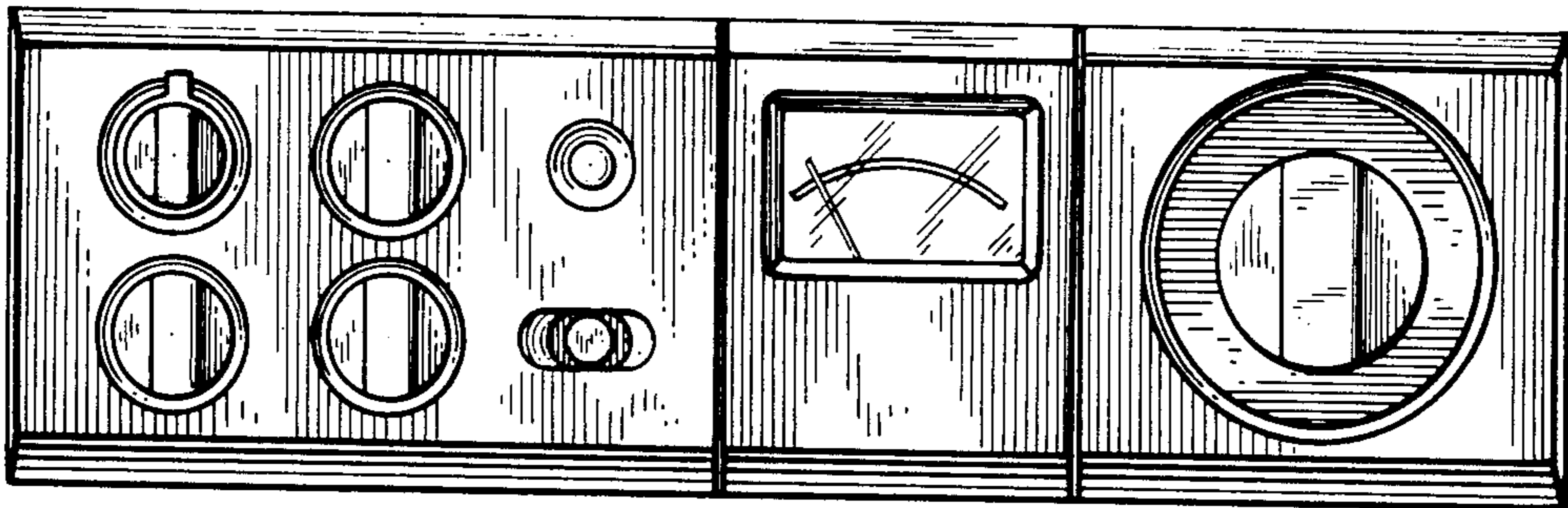


FIG. 2

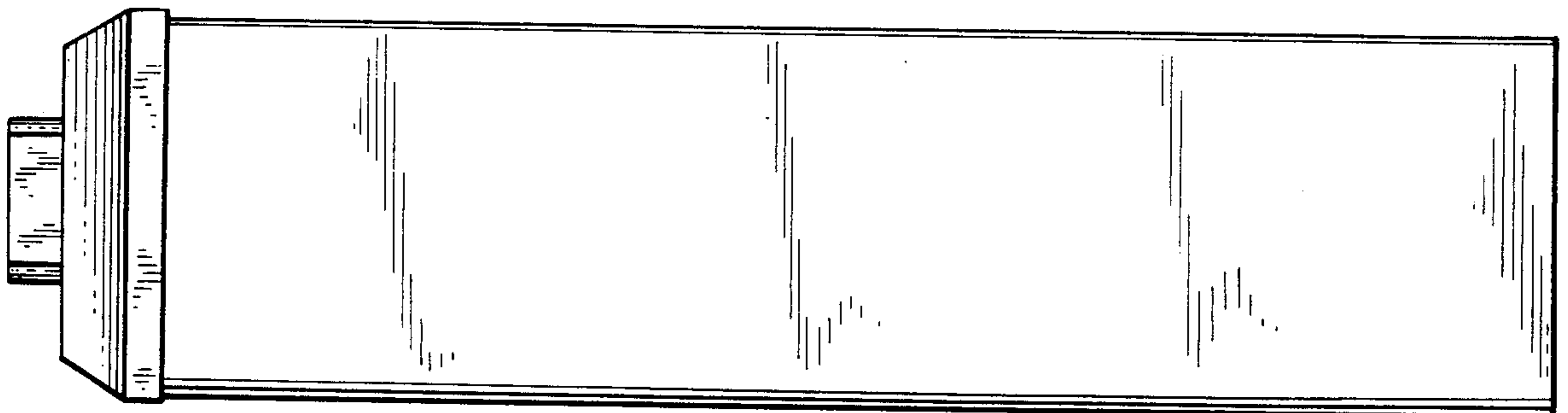


FIG. 3