

[54] LUGGAGE CARRIER FOR BICYCLES OR THE LIKE

[75] Inventor: Oskar Pletscher, Marthalen, Switzerland

[73] Assignee: Gebrüder Pletscher, Marthalen, Switzerland

[\*\*] Term: 14 Years

[21] Appl. No.: 710,810

[22] Filed: Aug. 2, 1976

[30] Foreign Application Priority Data

Feb. 20, 1976 [CH] Switzerland ..... 62544/76

[51] Int. Cl. .... D12-11

[52] U.S. Cl. .... D12/158

[58] Field of Search ..... D12/158; 224/32 A, 32 R, 224/39, 37, 38; D10/111; 350/307, 97, 99

[56] References Cited

U.S. PATENT DOCUMENTS

D. 203,064 11/1965 Schreckengost ..... D12/158  
3,905,678 9/1975 Blasy et al. .... 350/97  
3,963,158 6/1976 Clenet ..... 224/32 A

FOREIGN PATENT DOCUMENTS

211,586 12/1940 Switzerland ..... 224/32 A

OTHER PUBLICATIONS

American Bicyclist & Motorcyclist, 11/74, p. 87, Luggage Carrier, second row up from bottom of page.

American Bicyclist & Motorcyclist, 3/75, p. 9, Pletscher Light Alloy Carrier, center right side of page.

American Bicyclist & Motorcyclist, 4/76, p. 91, Lug-A-Pac, top of page.

Primary Examiner—Wallace R. Burke

Assistant Examiner—James M. Gandy

Attorney, Agent, or Firm—Werner W. Kleeman

[57] CLAIM

The ornamental design for a luggage carrier for bicycles or the like, as shown and described.

DESCRIPTION

FIG. 1 is a perspective view of a luggage carrier for bicycles or the like showing my new design;

FIG. 2 is a top plan view thereof;

FIG. 3 is a side elevational view thereof looking from the right of FIG. 1;

FIG. 4 is a side elevational view thereof showing the side opposite to that shown in FIG. 3;

FIG. 5 is a rear elevational view thereof; and

FIG. 6 is a front elevational view thereof.

The characteristic feature of my design resides in the specific appearance of the skirt attached to the rear of the luggage carrier.

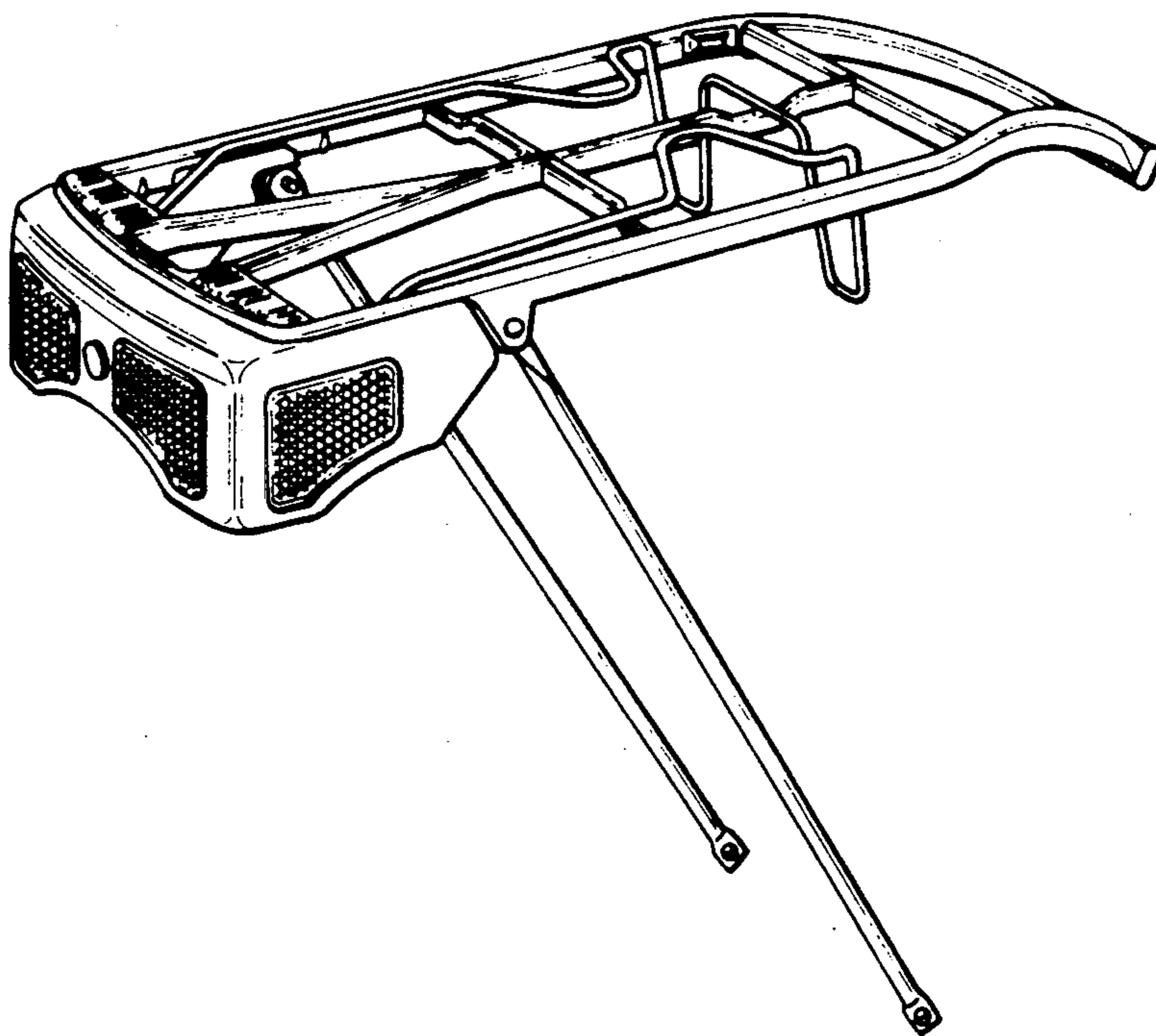


FIG. 1

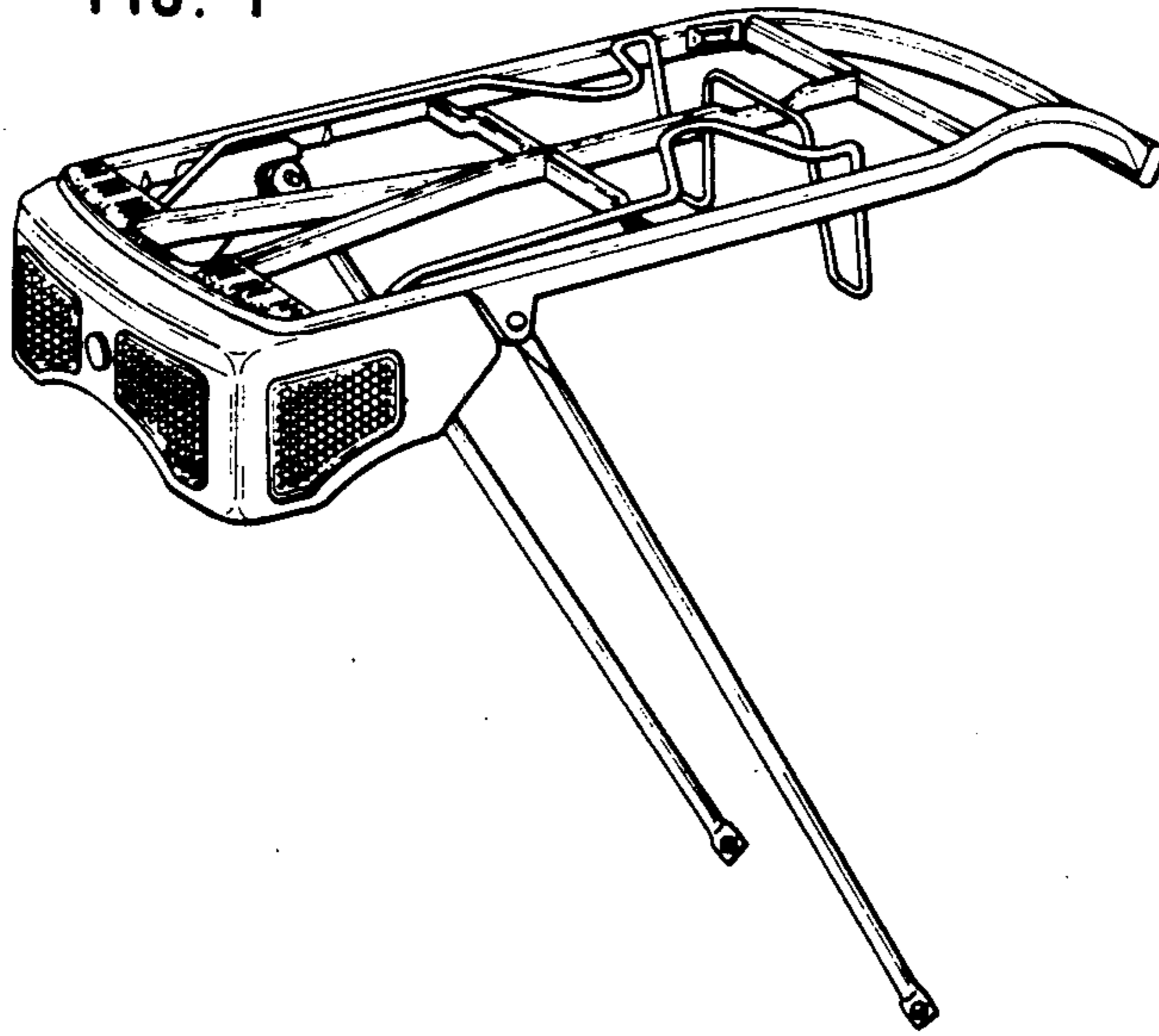


FIG. 2

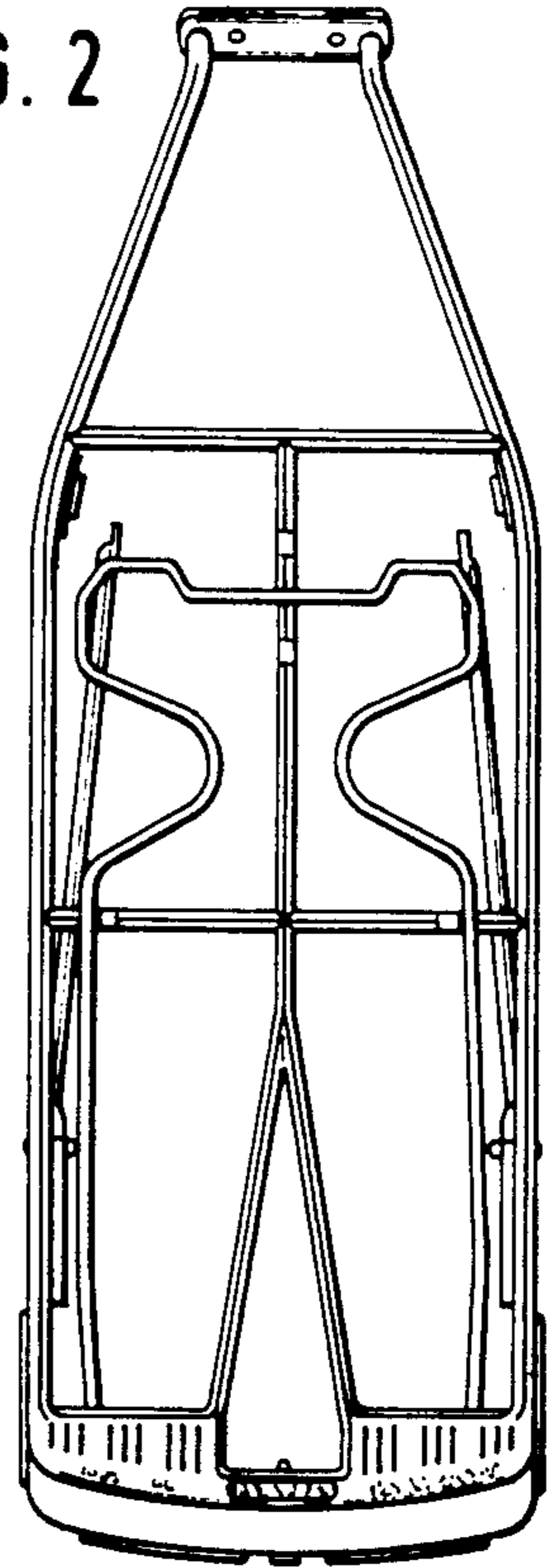


FIG. 3

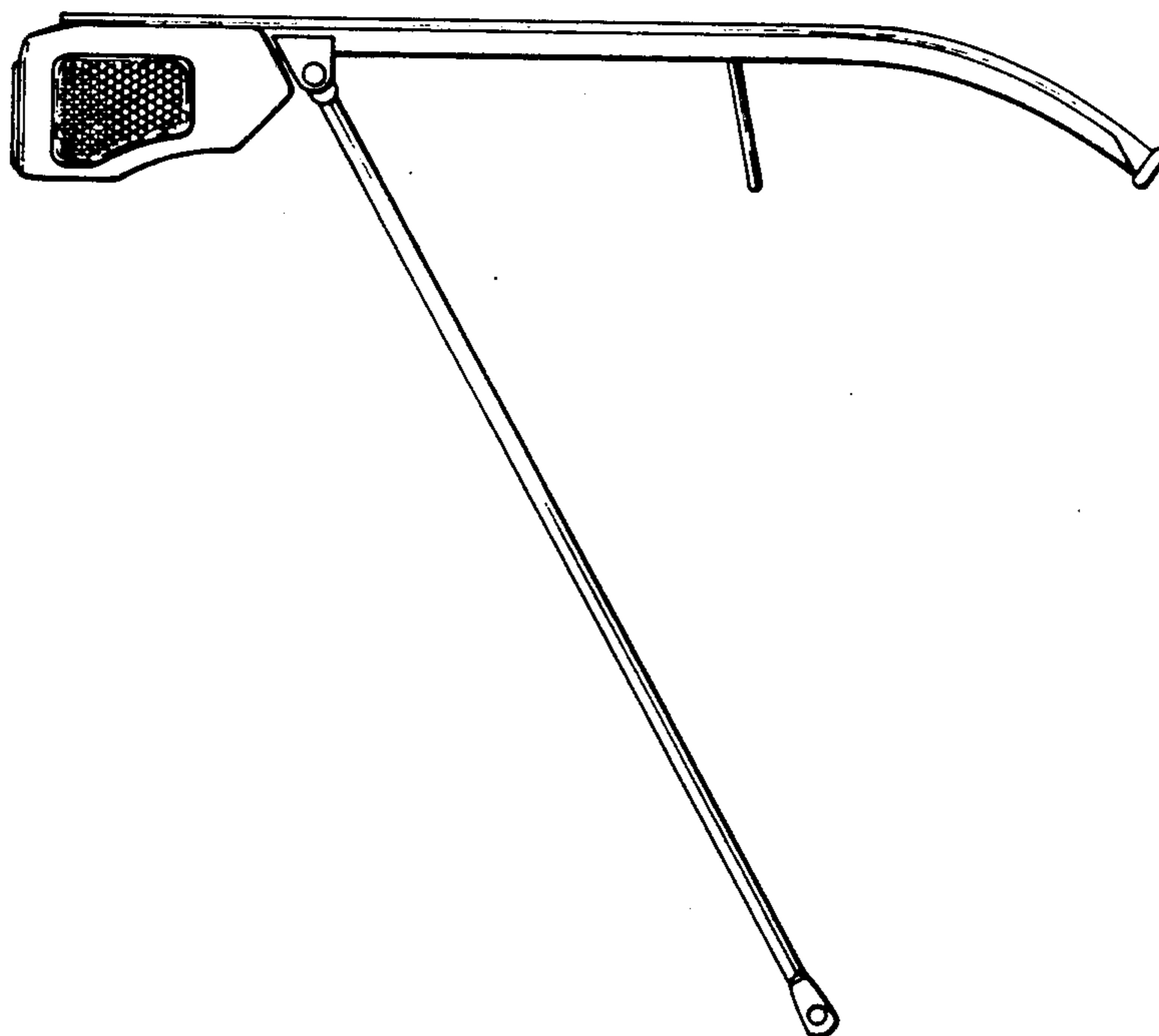


FIG. 5

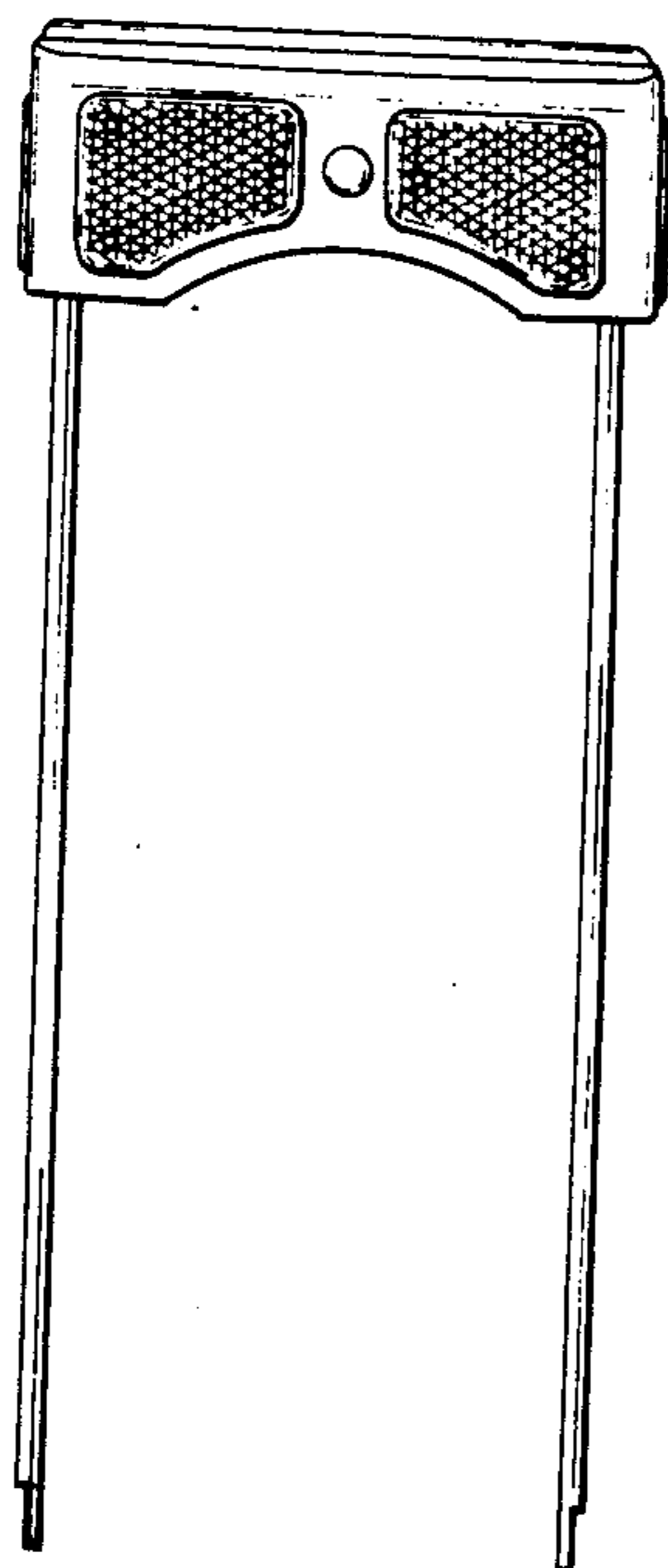


FIG. 6

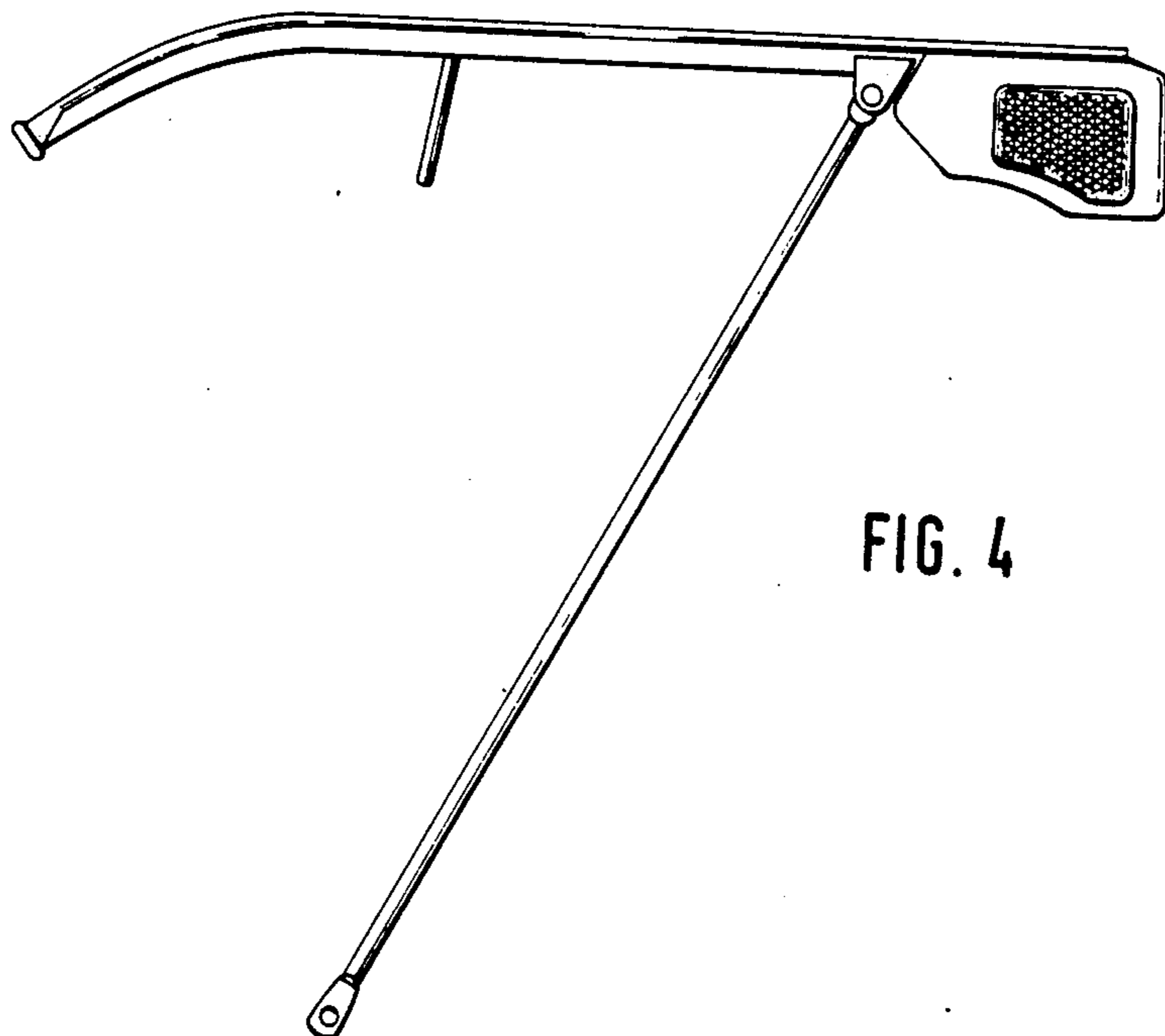
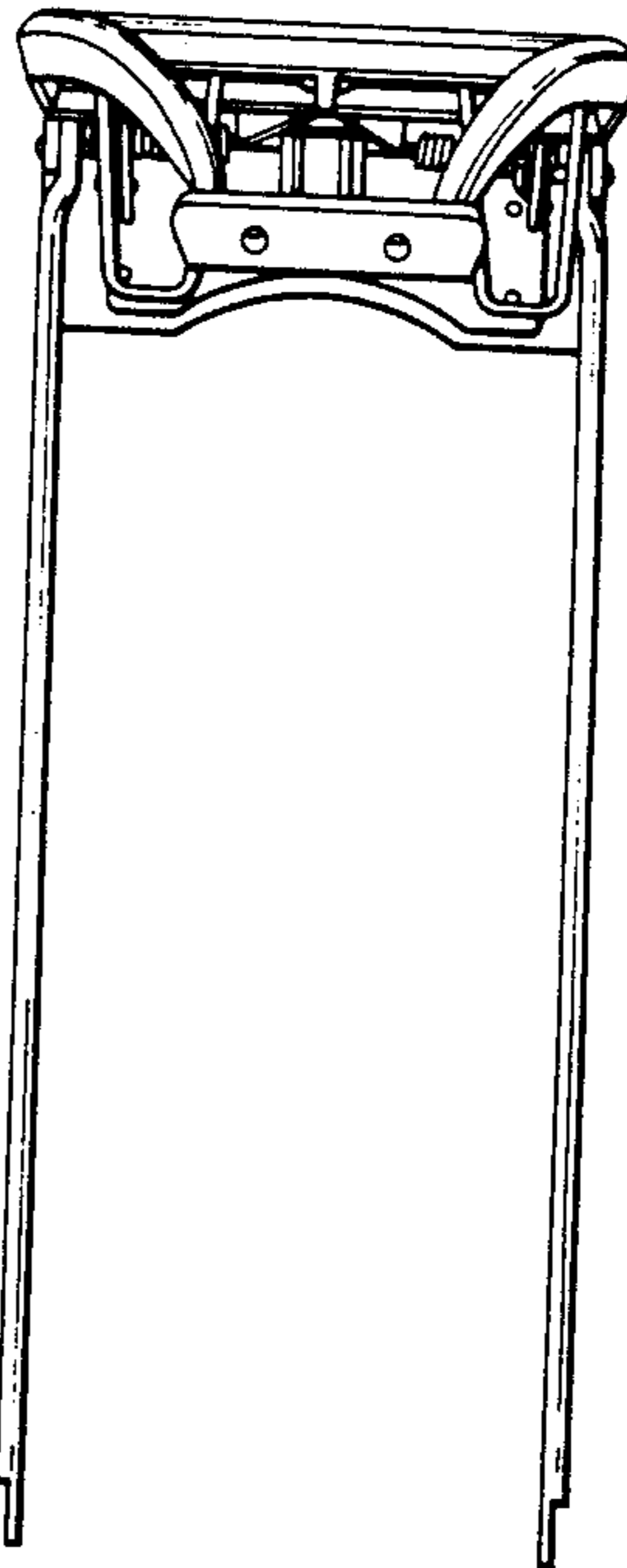


FIG. 4

UNITED STATES PATENT AND TRADEMARK OFFICE  
CERTIFICATE OF CORRECTION

PATENT NO. : Des. 249,676  
DATED : September 26, 1978  
INVENTOR(S) : OSKAR PLETSCHER

It is certified that error appears in the above-identified patent and that said Letters Patent are hereby corrected as shown below:

On the title page, column 1, section [30], please read:

"Feb. 20, 1976 [CH] Switzerland.....62544/76" as

--Feb. 20, 1976 [CH] Switzerland.....International  
Model No. 62544--

**Signed and Sealed this**

*Third Day of April 1979*

[SEAL]

*Attest:*

**RUTH C. MASON**  
*Attesting Officer*

**DONALD W. BANNER**  
*Commissioner of Patents and Trademarks*