

[54] BEHIND SEAT STORAGE COMPARTMENT FOR TRUCKS OR THE LIKE

[75] Inventor: Jack C. VanderWaal, Sumner, Wash.

[73] Assignee: Sea-Lect Products Inc., Kent, Wash.

[**] Term: 14 Years

[21] Appl. No.: 786,688

[22] Filed: Apr. 11, 1977

[51] Int. Cl. D12-16

[52] U.S. Cl. D12/155

[58] Field of Search D12/155-157; 296/37.1, 37.6, 37.8, 37.14, 37.15, 37.16; 224/29 R, 29 D, 42.42 R, 42.42 A

[56] References Cited

U.S. PATENT DOCUMENTS

D. 205,448 8/1966 Grove D12/155

1,412,680 4/1922 Fuller 224/42.42 R
2,934,374 4/1960 Mortenson et al. 296/37.16
3,326,596 6/1967 La Spina 296/37.16

Primary Examiner—Wallace R. Burke
Assistant Examiner—James M. Gandy
Attorney, Agent, or Firm—Nicolaas DeVogel

[57] CLAIM

The ornamental design for behind seat storage compartment for trucks or the like, as shown.

DESCRIPTION

FIG. 1 is a front perspective view of a behind seat storage compartment for trucks or the like showing my new design;

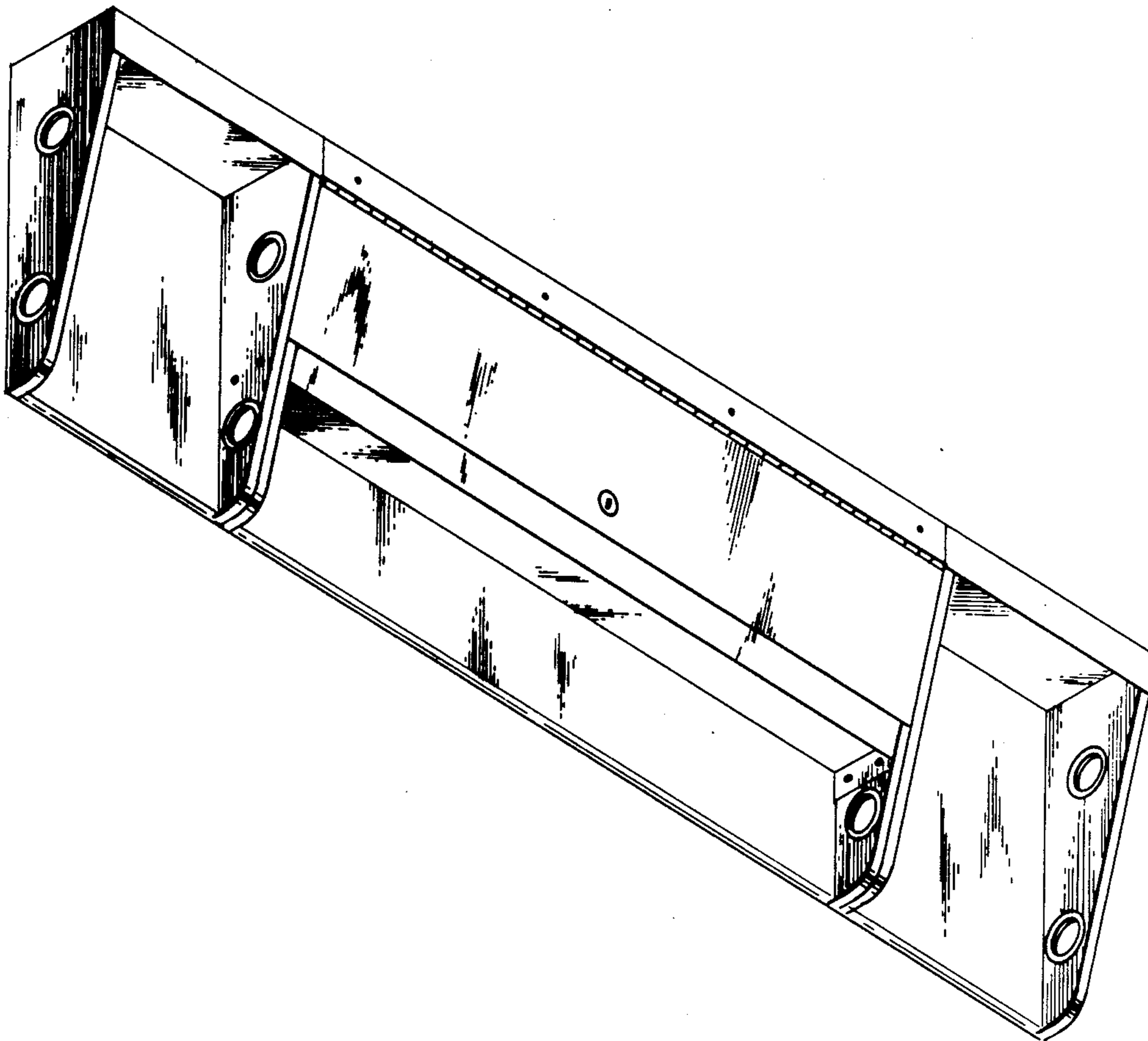
FIG. 2 is a rear perspective view thereof;

FIG. 3 is a front elevational view thereof;

FIG. 4 is a bottom plan view thereof;

FIG. 5 is a left side elevational view thereof; and

FIG. 6 is a right side elevational view thereof.



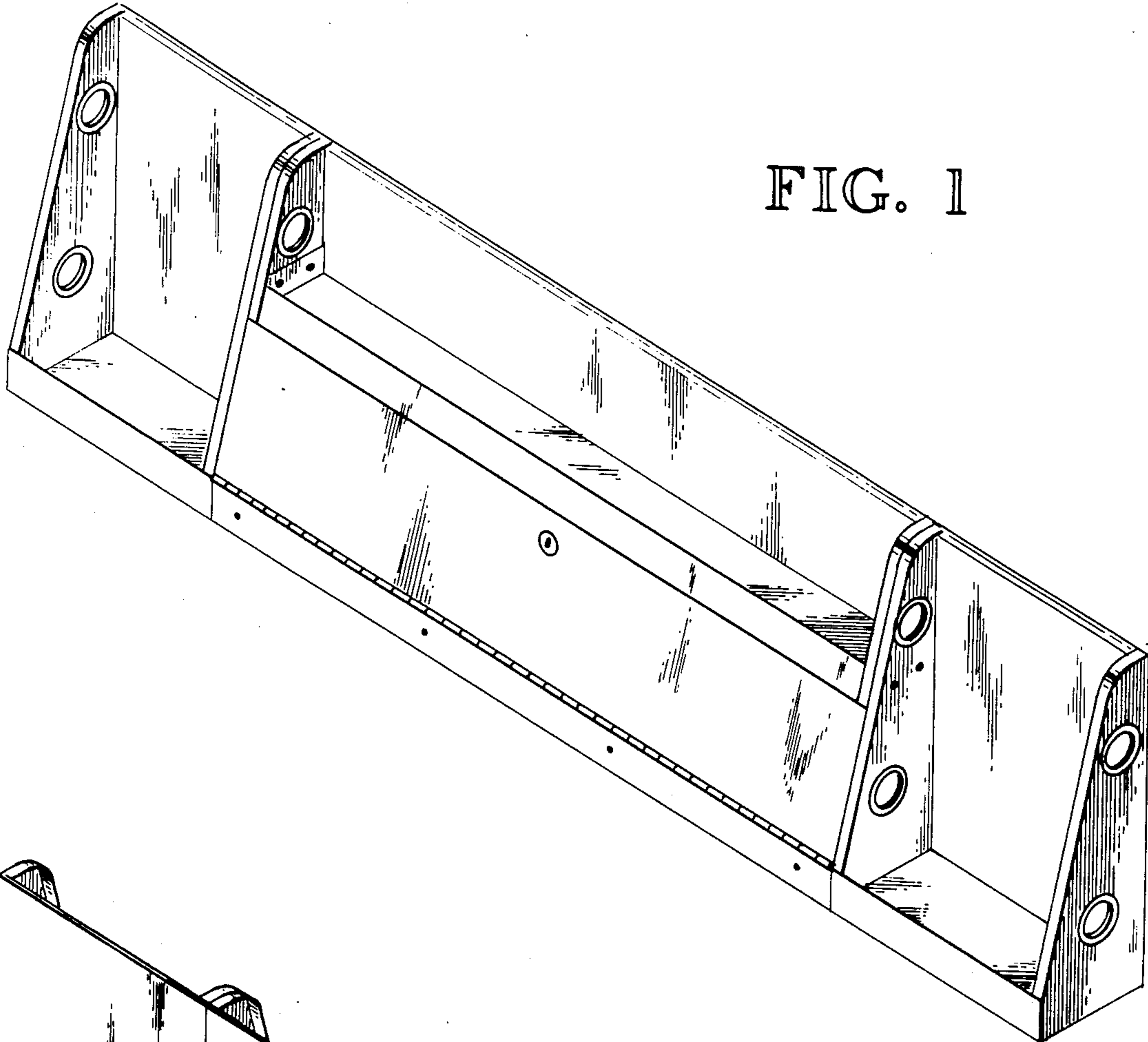


FIG. 1

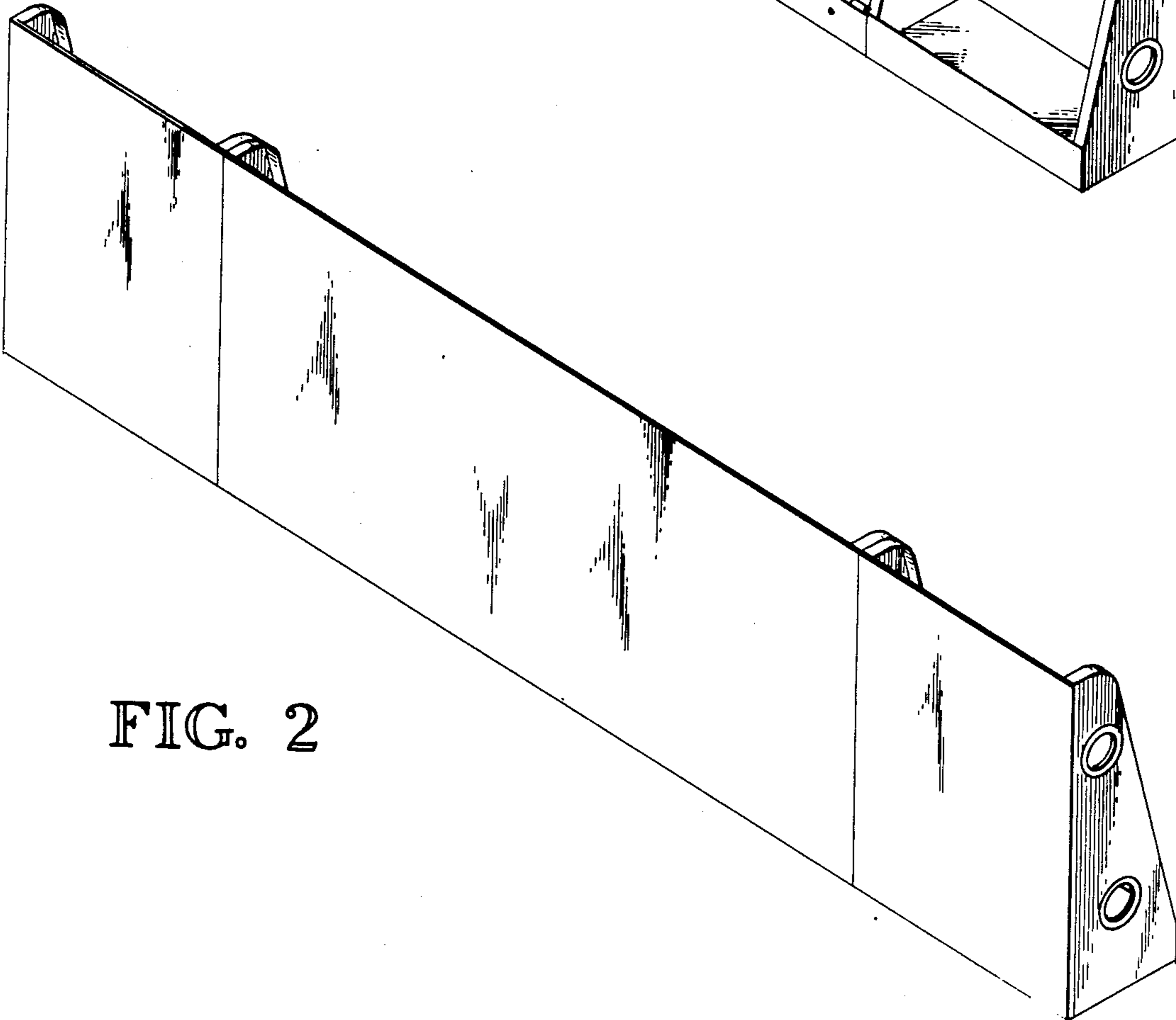


FIG. 2

FIG. 3

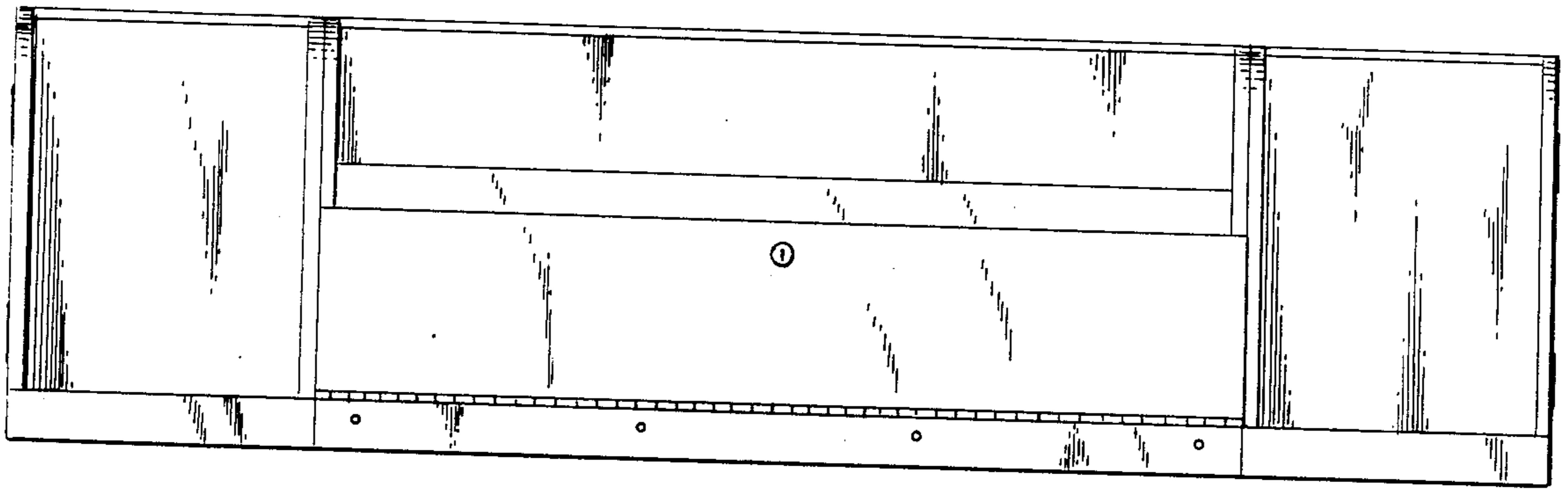


FIG. 4

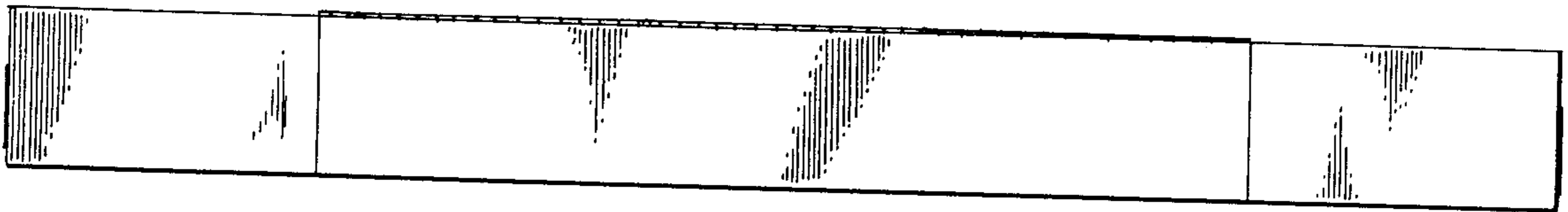


FIG. 5

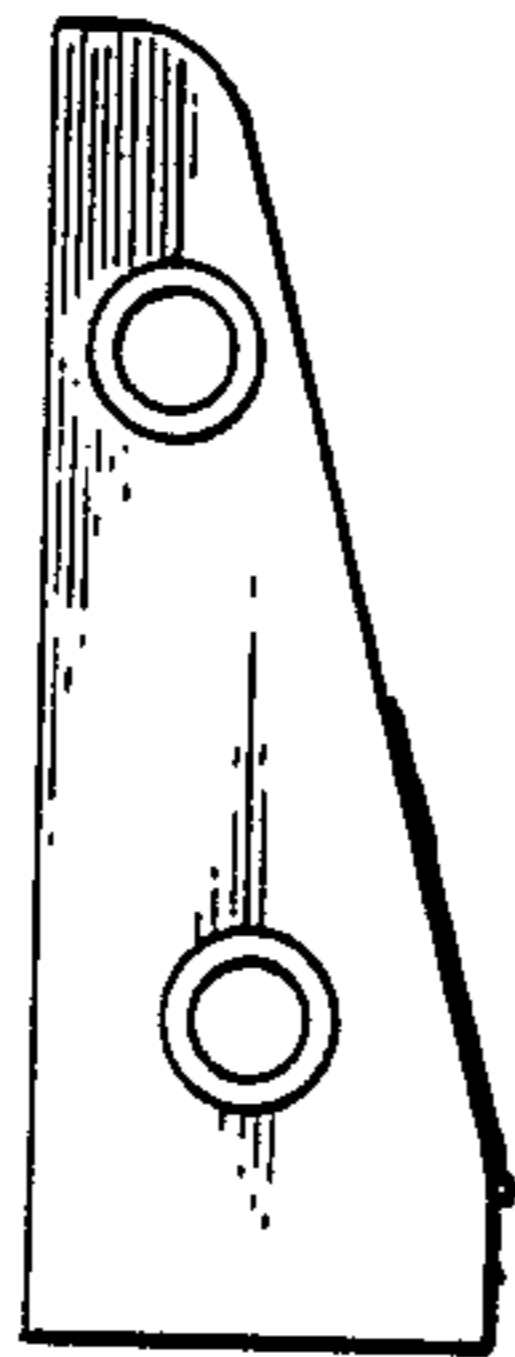


FIG. 6

