

[54] FRONT DISCHARGE MIXER TRUCK

[75] Inventor: Frederick J. Silbernagel, Huron, S. Dak.

[73] Assignee: Forward, Inc., Huron, S. Dak.

[**] Term: 14 Years

[21] Appl. No.: 761,440

[22] Filed: Jan. 21, 1977

[51] Int. Cl. D15-04

[52] U.S. Cl. D12/95

[58] Field of Search D15/19; D12/95; 259/161, 172, 173, 175-176

[56] References Cited

PUBLICATIONS

Popular Science, 8/76, p. 67, Mixer, top right side of page.

Commercial Car Journal, 8/75, p. 114, Oshkosh Front-End Mixer.

Construction Methods & Equipment, 2/75, p. 12, TC, Mixer.

1974 American Rite-Way Truck Corp. Brochure, Mixer, front page.

Primary Examiner—Wallace R. Burke
Assistant Examiner—James M. Gandy
Attorney, Agent, or Firm—Clayton R. Johnson

[57] CLAIM

The ornamental design for a front discharge mixer truck, substantially as shown and described.

DESCRIPTION

FIG. 1 is a side elevational view of a front discharge mixer truck embodying my new design it being understood that the opposite side is substantially a mirror image thereof;

FIG. 2 is a top plan view thereof;

FIG. 3 is a front elevational view thereof;

FIG. 4 is a rear elevational view thereof;

FIG. 5 is a fragmentary sectional view thereof taken along line 5-5 in FIG. 1;

FIG. 6 is a side elevational view of a front discharge mixer truck showing a second embodiment of my new design, the difference being in the length thereof and the addition of a pair of rear wheels, it being understood that the opposite side is substantially a mirror image thereof;

FIG. 7 is a front elevational view of FIG. 6; and

FIG. 8 is a rear elevational view of FIG. 6.

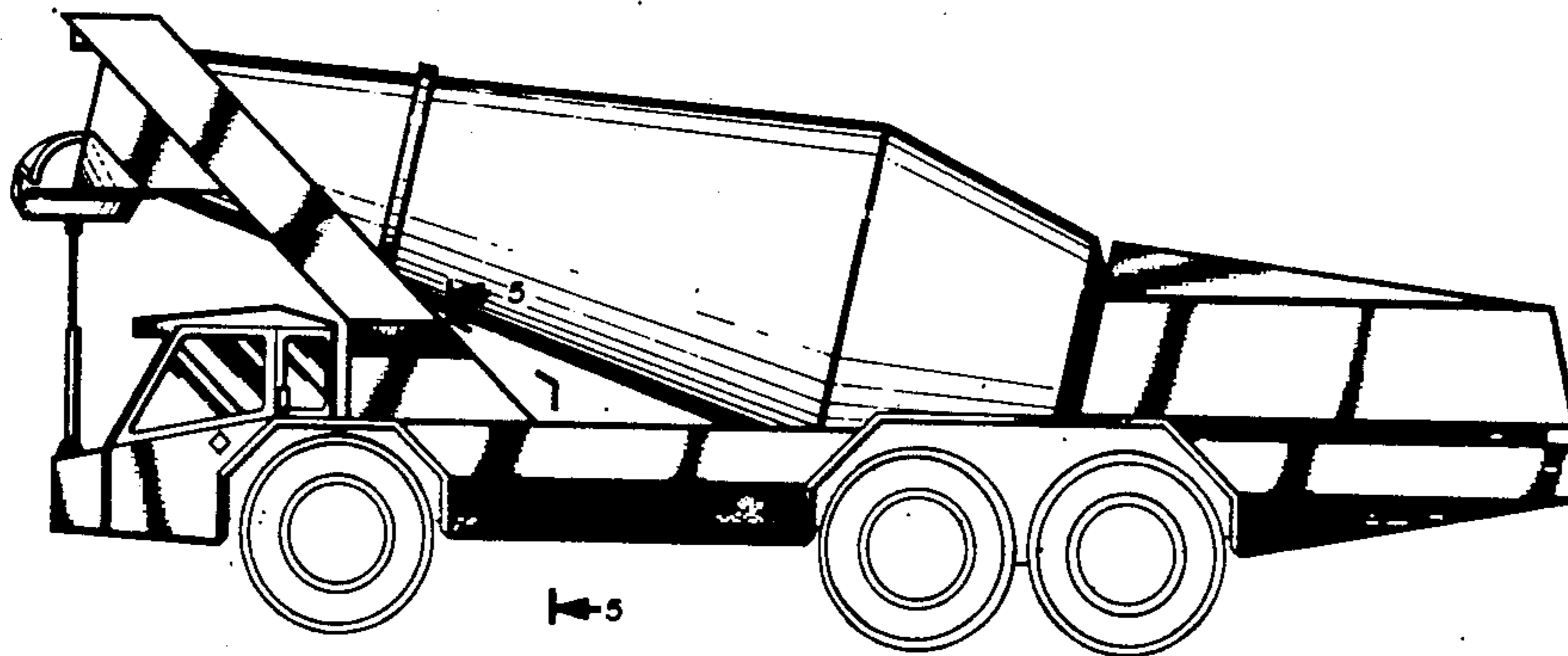
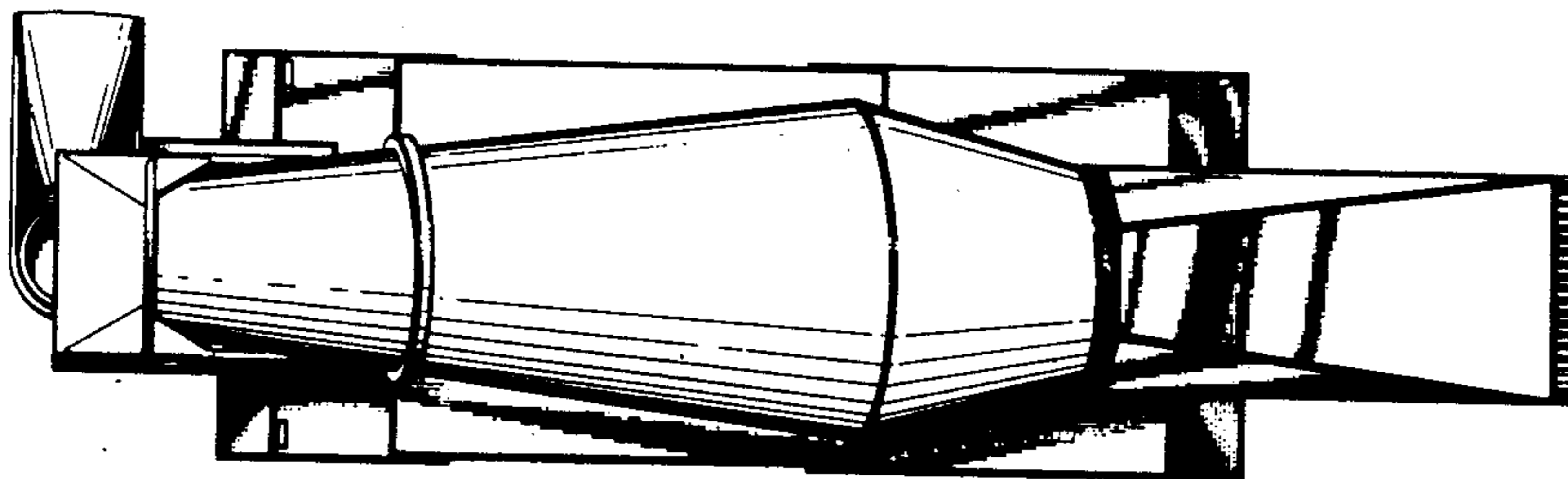


Fig. 2

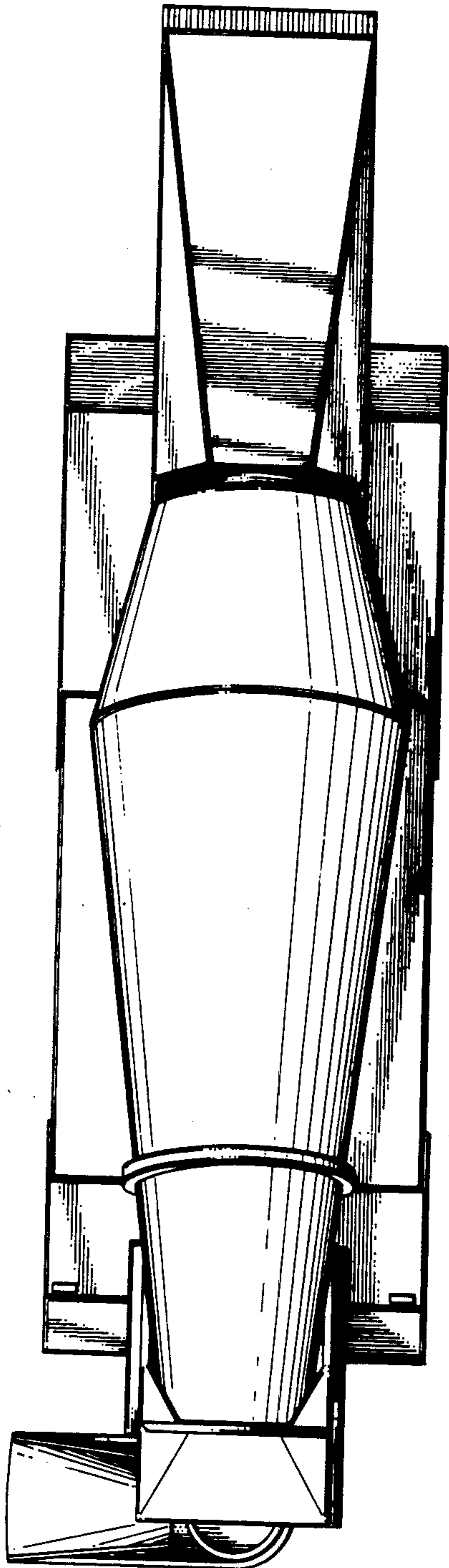


Fig. 1

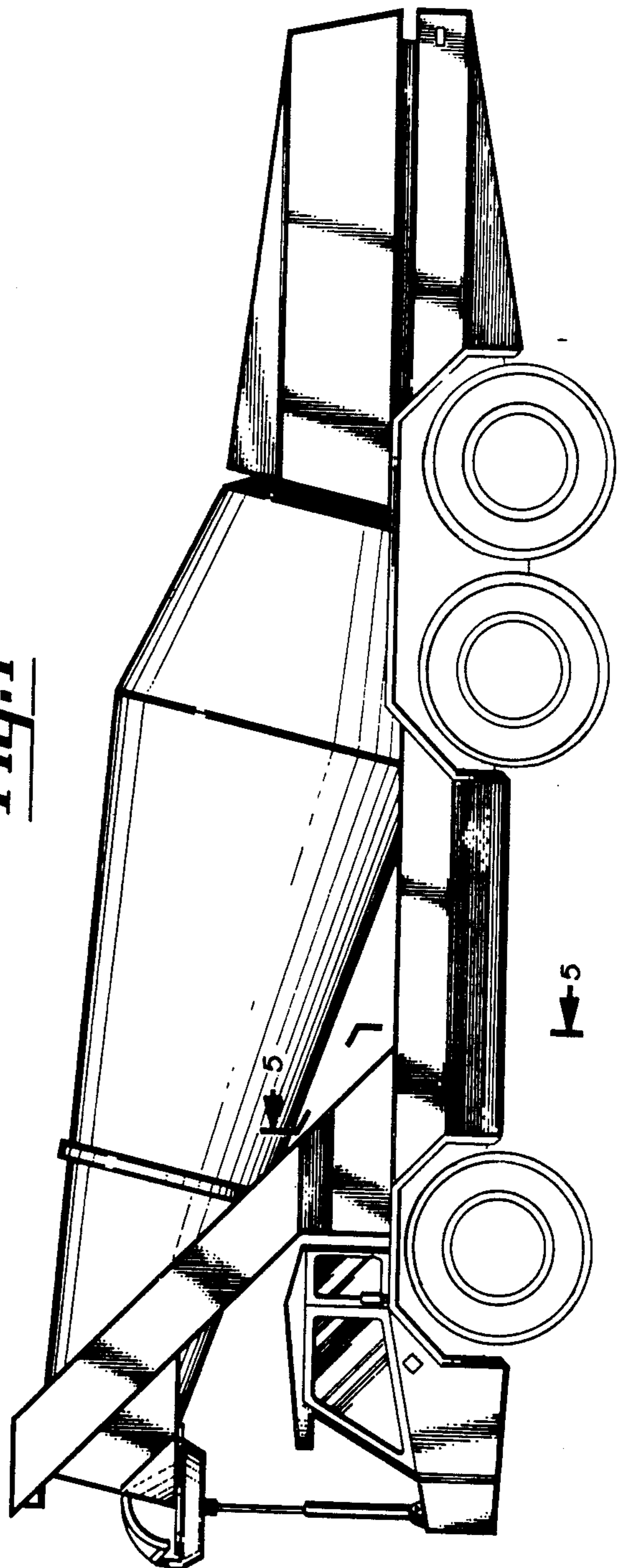


Fig. 3

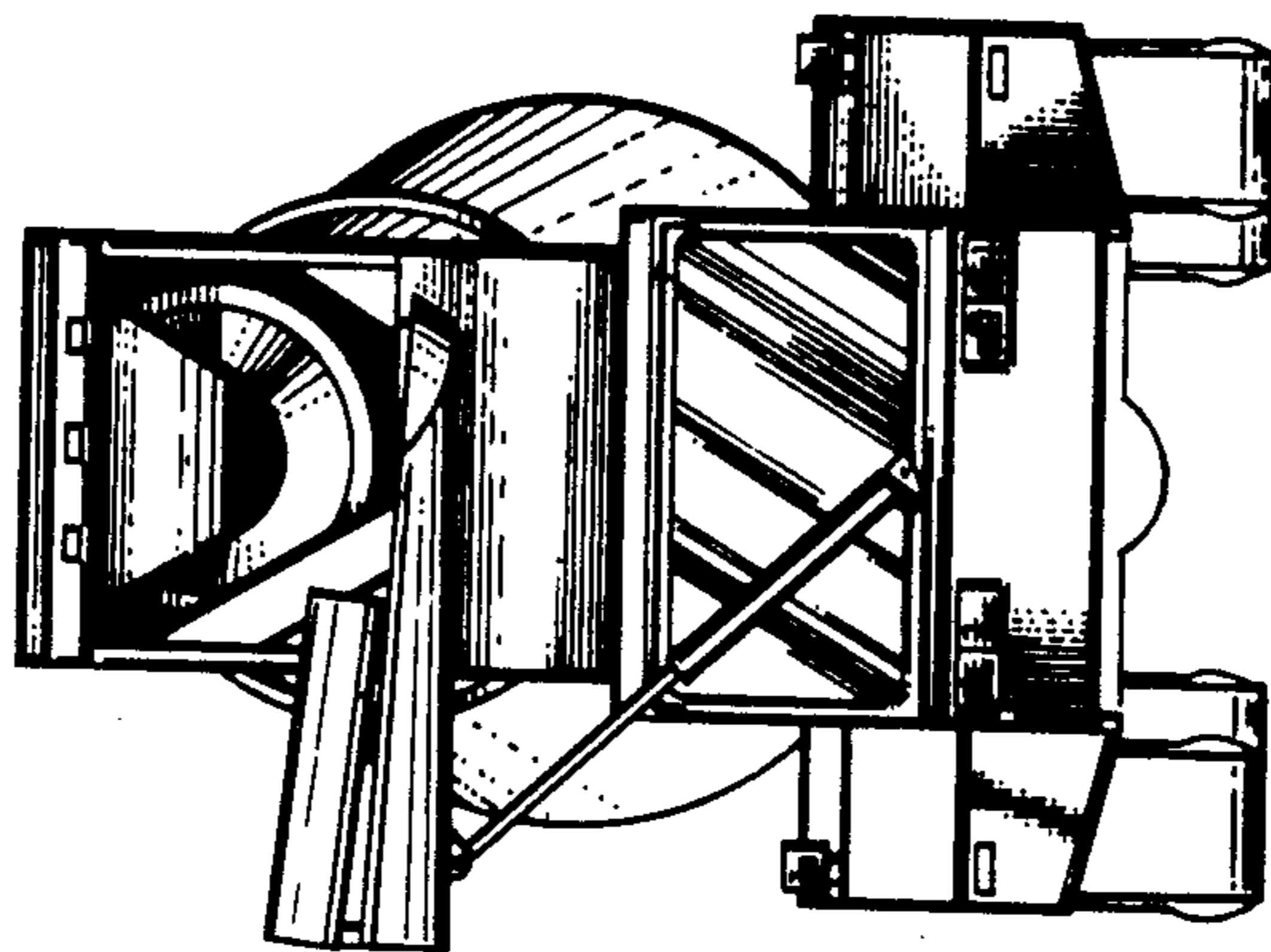


Fig. 4

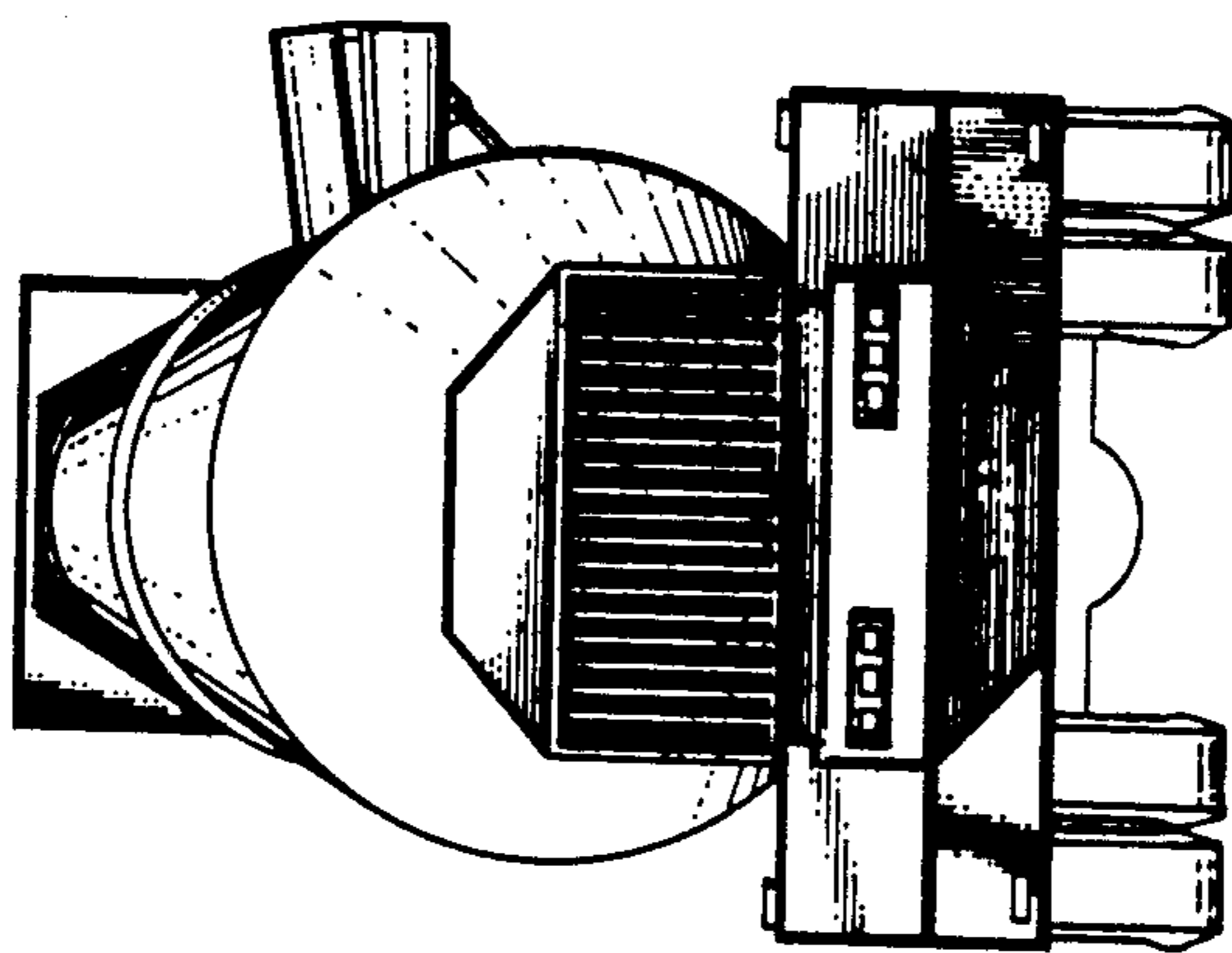


Fig. 5

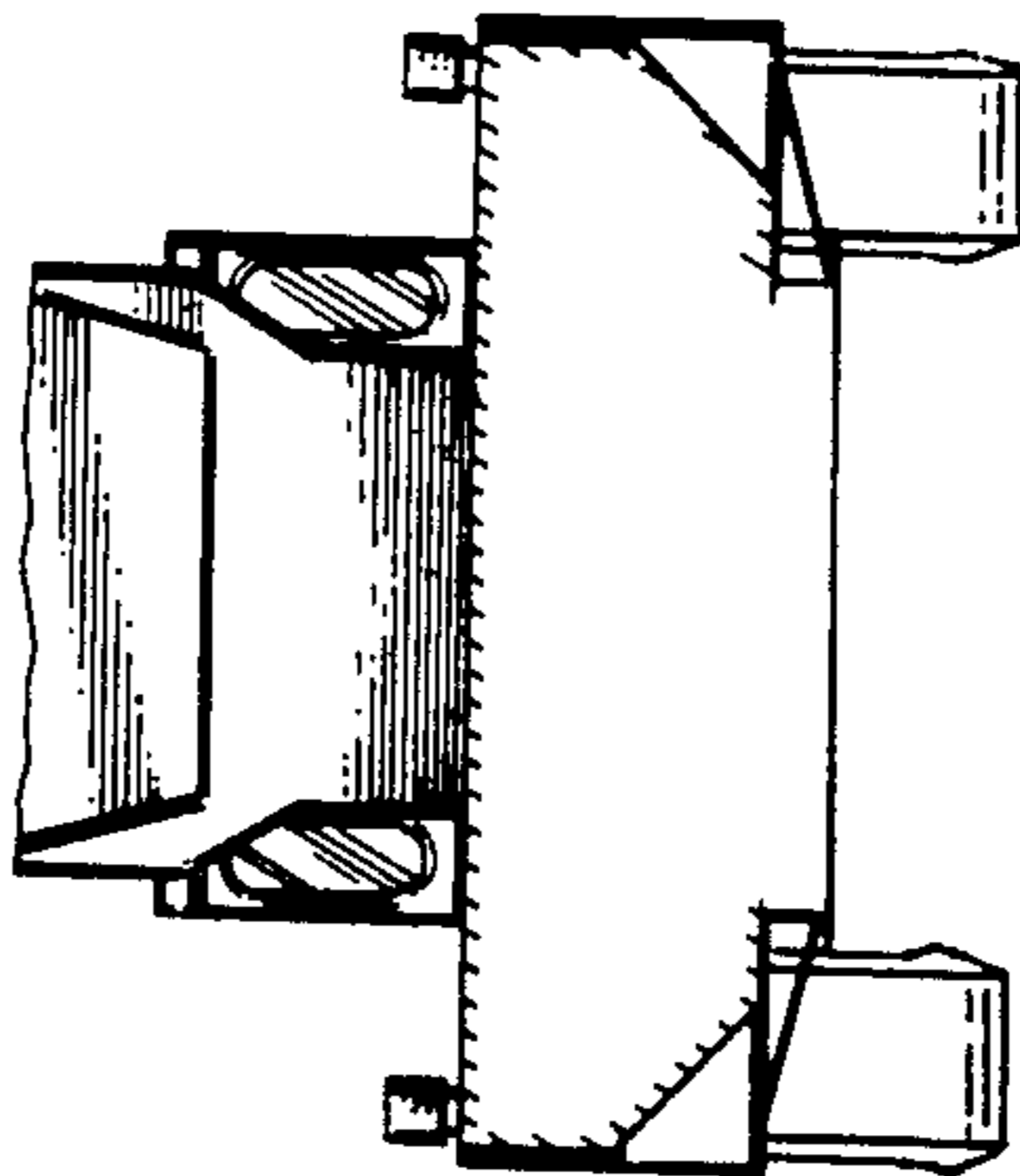


Fig. 8

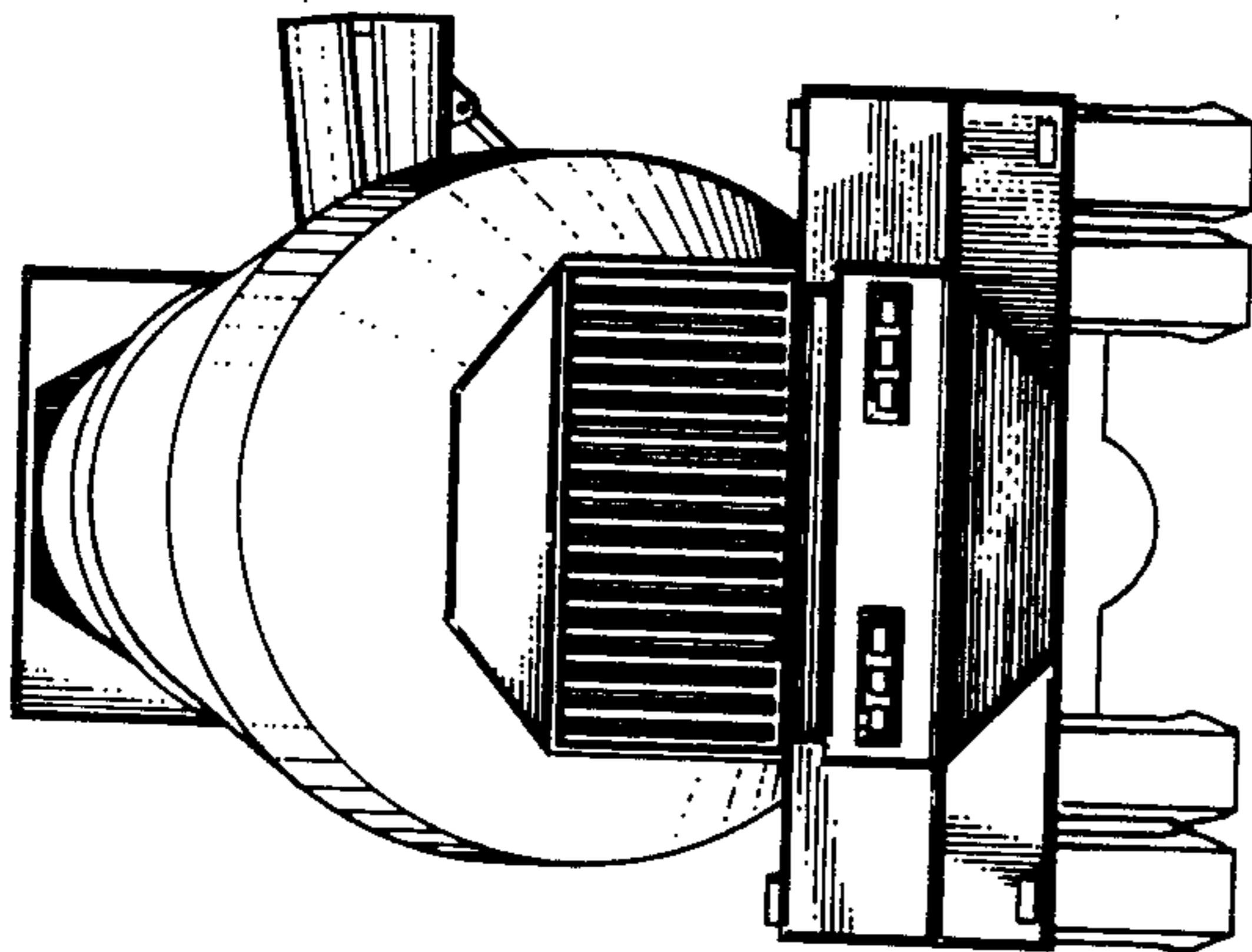


Fig. 6

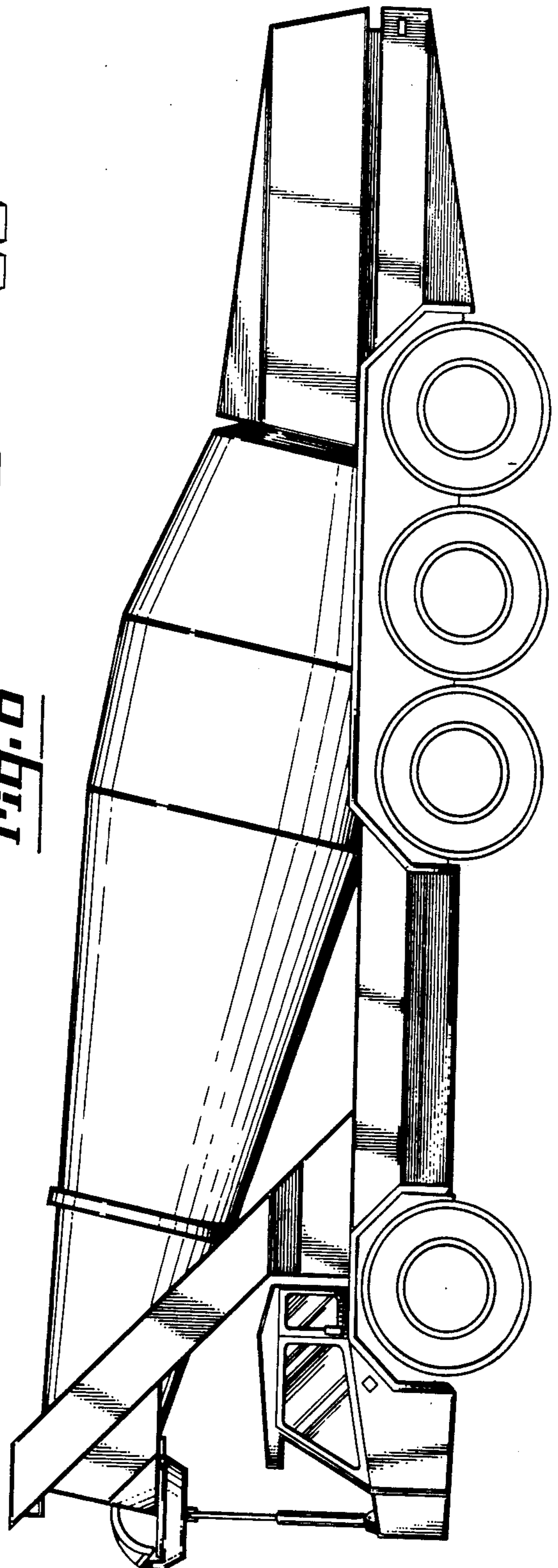


Fig. 7

