

[54] CONTAINER CRADLE FOR A HYDRAULIC CANE DUMPER

[76] Inventor: Harold A. Willett, P.O. Box 968, Thibodaux, La. 70301

[**] Term: 14 Years

[21] Appl. No.: 628,405

[22] Filed: Nov. 3, 1975

[51] Int. Cl. D12-05

[52] U.S. Cl. D12/60

[58] Field of Search D12/58, 60; 214/314, 214/61, 750, 130 A, 130 R, 312, 700, 149; 198/158, 157

[56] References Cited

U.S. PATENT DOCUMENTS

952,108 3/1910 Gilleland 214/149
2,781,929 2/1957 Uhrich 214/314

2,854,126 9/1958 Rosenberger, Jr. 214/61

FOREIGN PATENT DOCUMENTS

1,225,842 2/1960 France 214/61

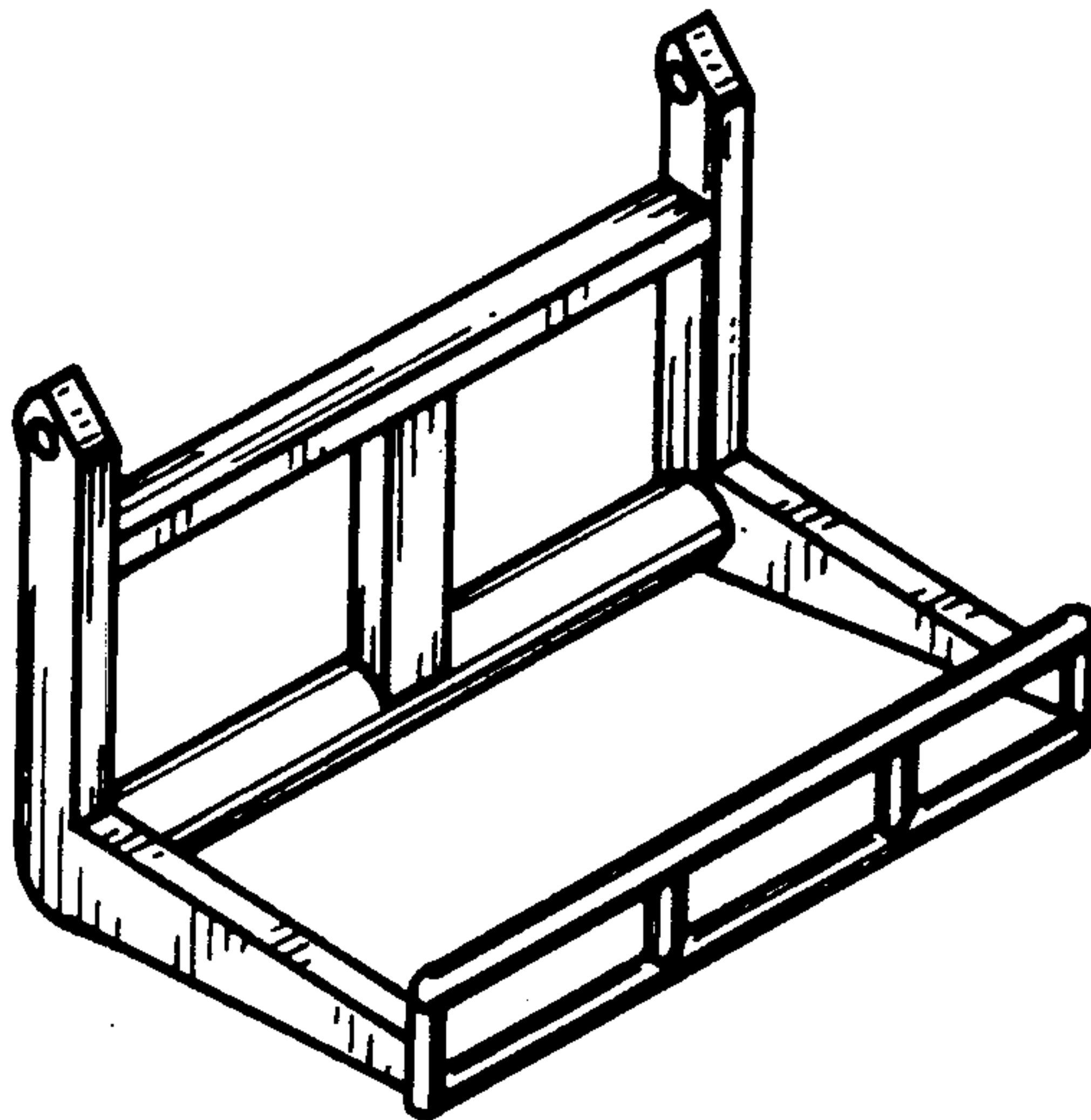
Primary Examiner—Wallace R. Burke
Assistant Examiner—James M. Gandy
Attorney, Agent, or Firm—Calvin J. Laiche

[57] CLAIM

The ornamental design for a container cradle for a hydraulic cane dumper, as shown.

DESCRIPTION

FIG. 1 is an isometric view of a container cradle for a hydraulic cane dumper showing my new design; FIG. 2 is a side elevational view thereof; FIG. 3 is a bottom plan view thereof; FIG. 4 is a front elevational view thereof; FIG. 5 is a rear elevational view thereof; and FIG. 6 is a top plan view thereof.



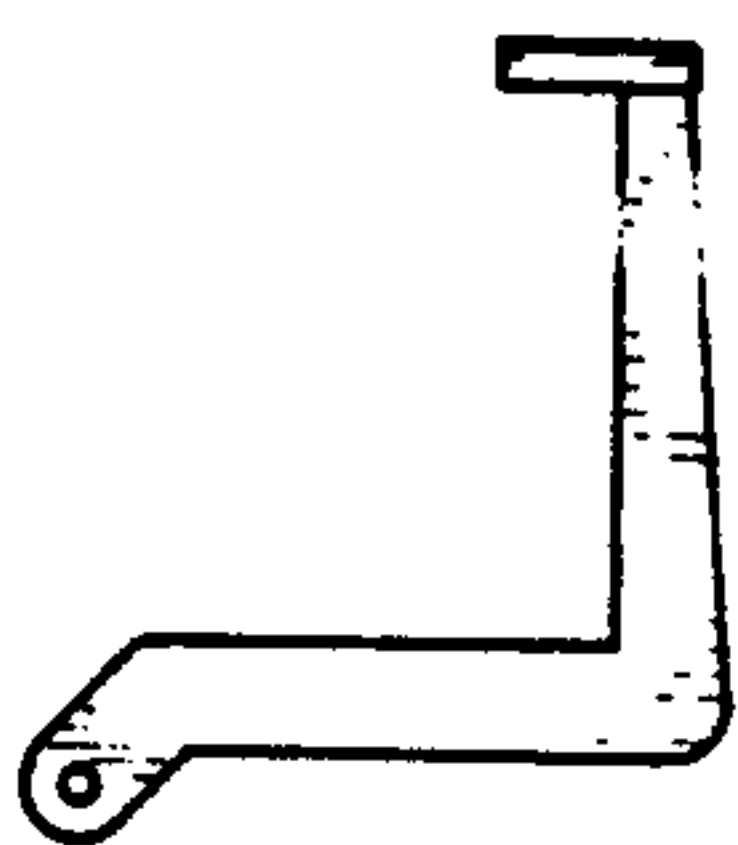


FIG. 2



FIG. 3

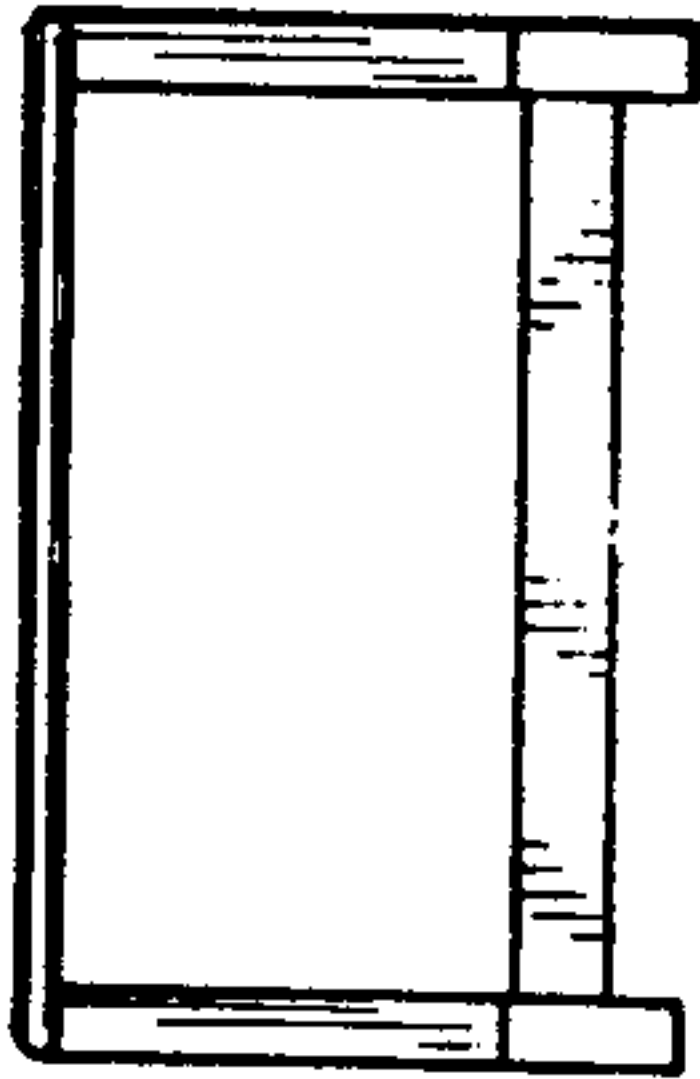


FIG. 6

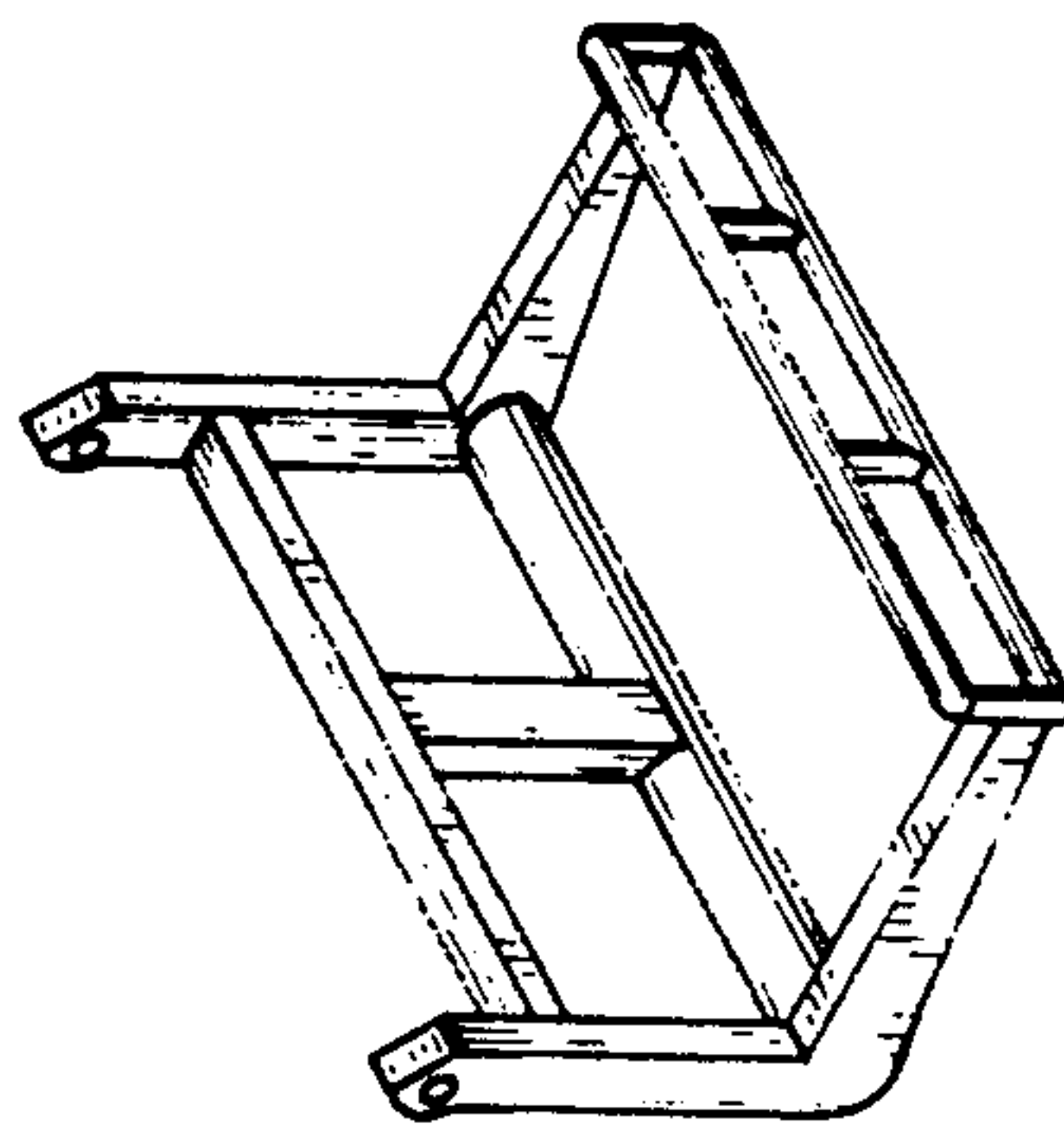


FIG. 1

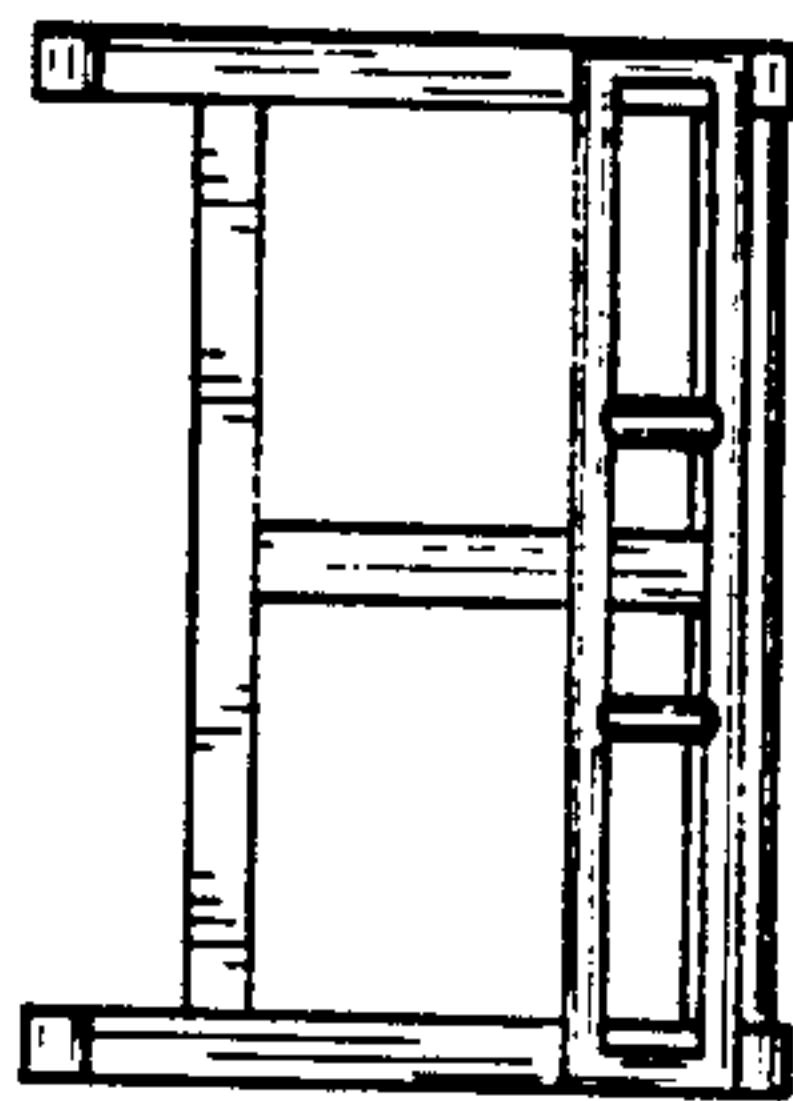


FIG. 4

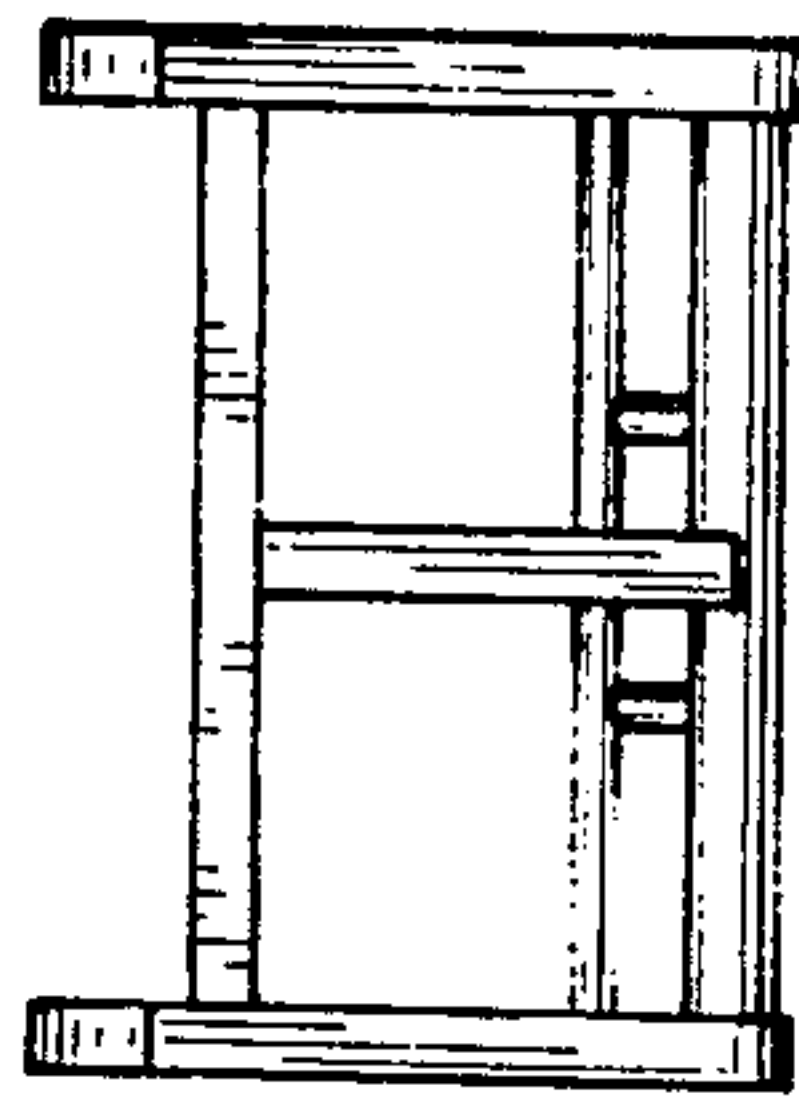


FIG. 5