

[54] **BOWLING BALL CADDY**

[76] Inventor: **Blanche A. Morley**, 3401 N. Franklin, Stockton, Calif. 95204

[\*\*] Term: **14 Years**

[21] Appl. No.: **777,946**

[22] Filed: **Mar. 2, 1977**

[51] Int. Cl. .... **D12-02**

[52] U.S. Cl. .... **D12/33**

[58] Field of Search ..... **D87/1 R, 5 R, 5 D; D12/33, 32, 34, 23; 280/10, 79.1, 79.2, 47.17, 47.19, 47.24, 47.13 R, 47.37; 190/18 A**

[56] **References Cited**

**U.S. PATENT DOCUMENTS**

D. 125,988	3/1941	Anderson	.....	D87/5 D
D. 157,597	3/1950	Huber	.....	D12/34
2,984,499	5/1961	Humphrey	.....	D12/32

3,830,514	8/1974	Green	.....	280/47.19
3,873,119	3/1975	Koch	.....	D12/34
3,934,895	1/1976	Fox	.....	190/18 A
4,066,156	1/1978	Basile	.....	D87/5 D

*Primary Examiner*—Joel Stearman  
*Assistant Examiner*—George P. Word  
*Attorney, Agent, or Firm*—Elton H. Brown, Jr.

[57] **CLAIM**

The ornamental design for a bowling ball caddy, substantially as shown and described.

**DESCRIPTION**

FIG. 1 is a top plan view of a bowling ball caddy showing my new design;  
 FIG. 2 is a left side elevational view;  
 FIG. 3 is a front elevational view;  
 FIG. 4 is a right side elevational view;  
 FIG. 5 is a bottom plan view; and  
 FIG. 6 is a top plan view thereof with the cover in an open position.

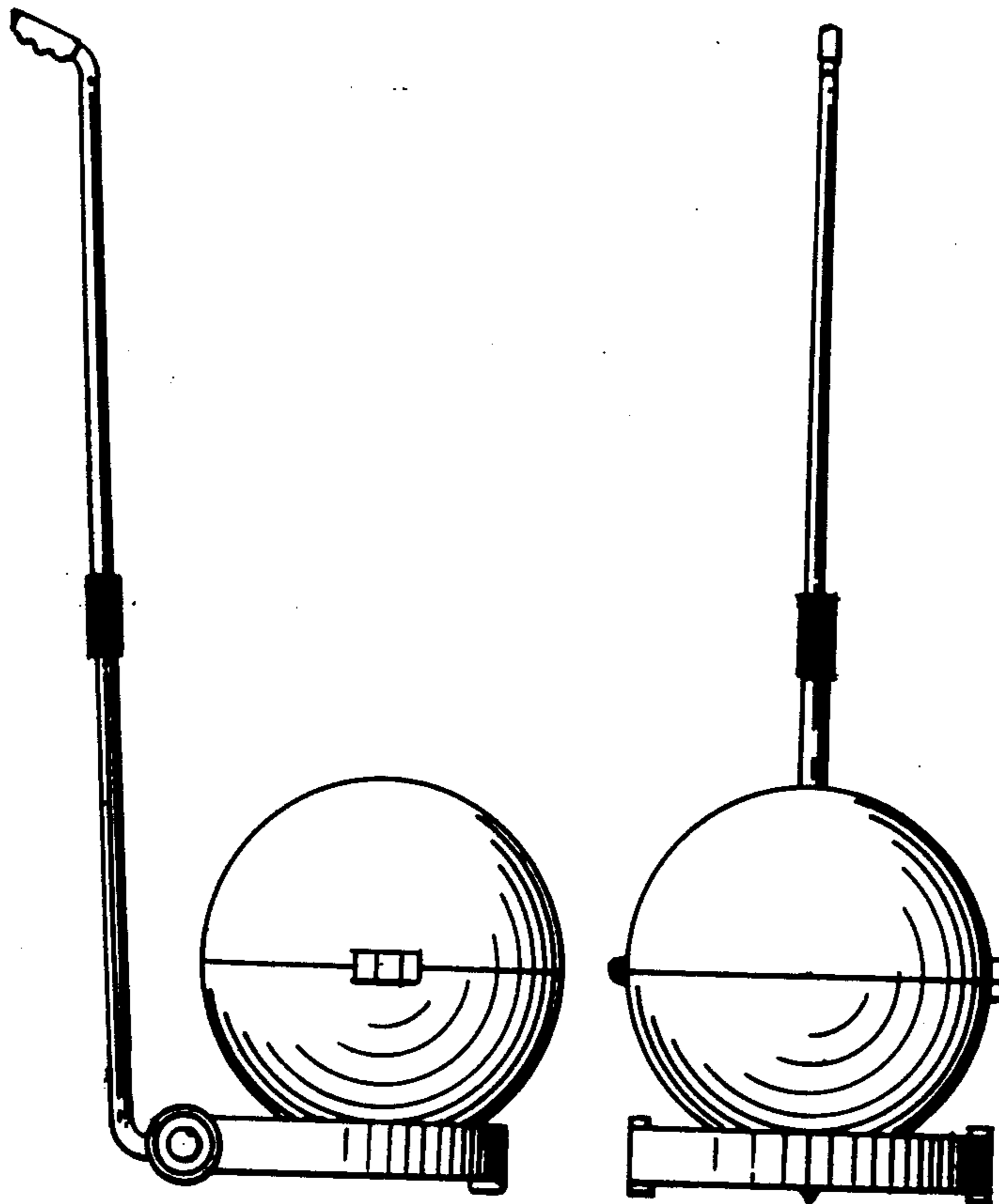


FIG. 1.

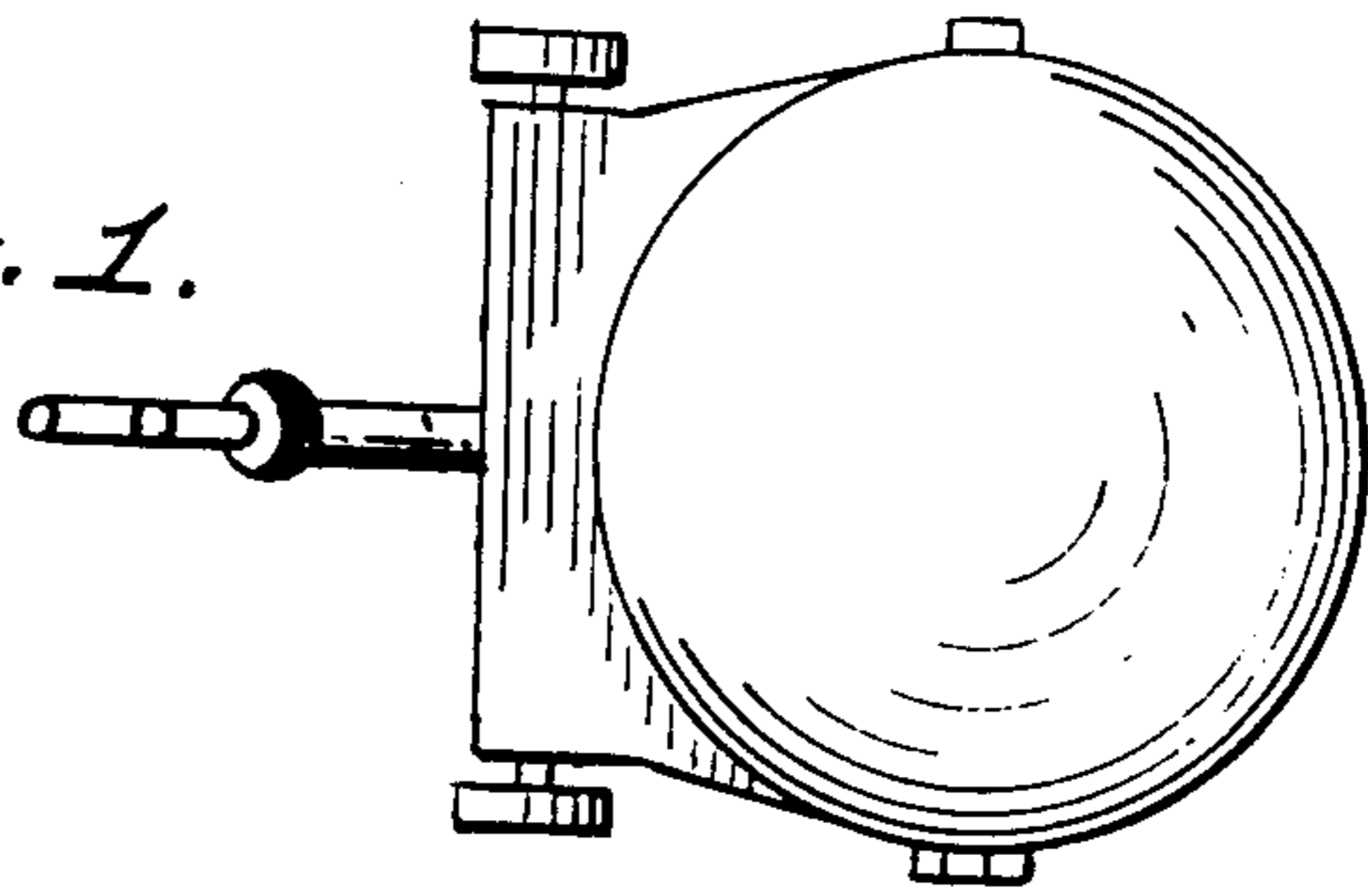


FIG. 2.

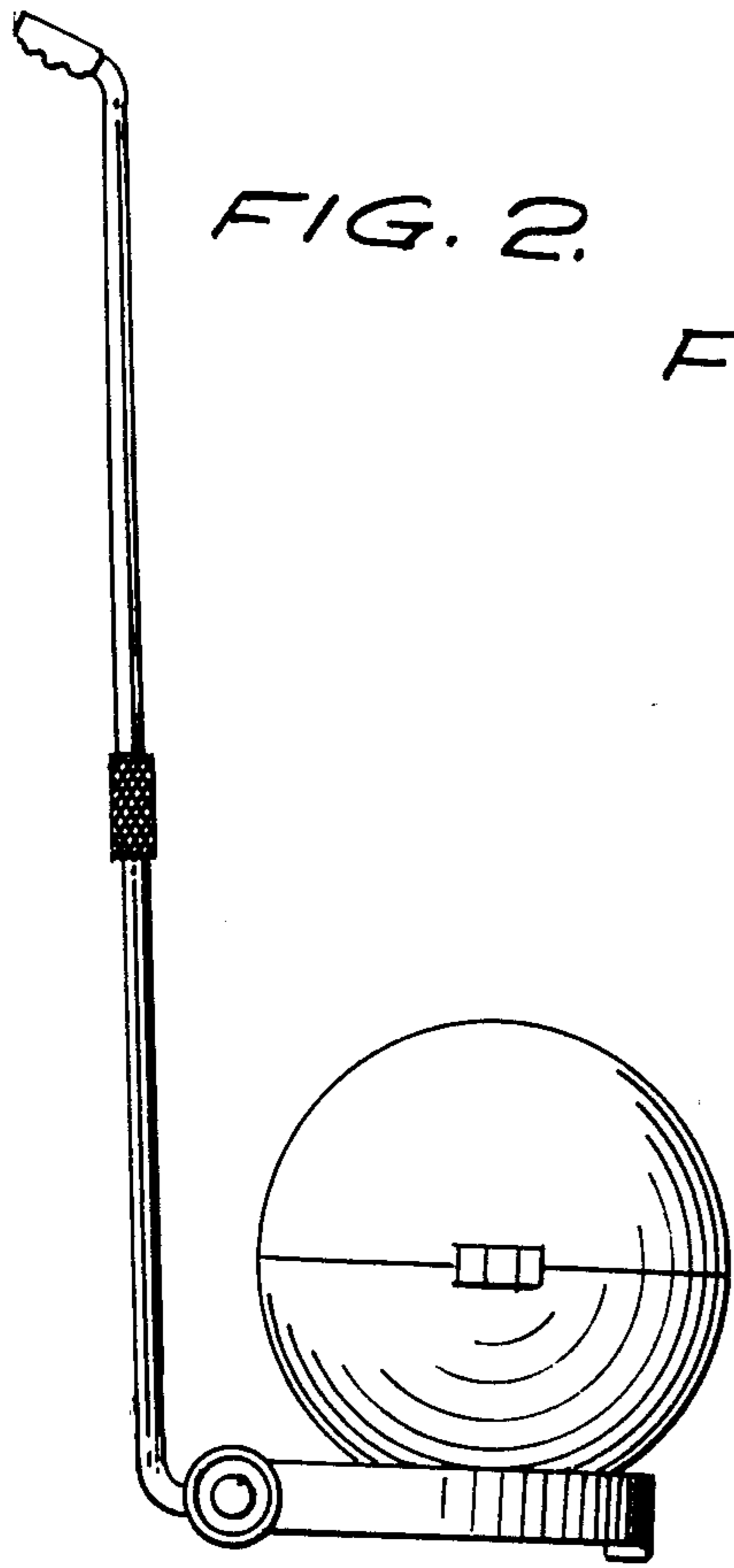


FIG. 3.

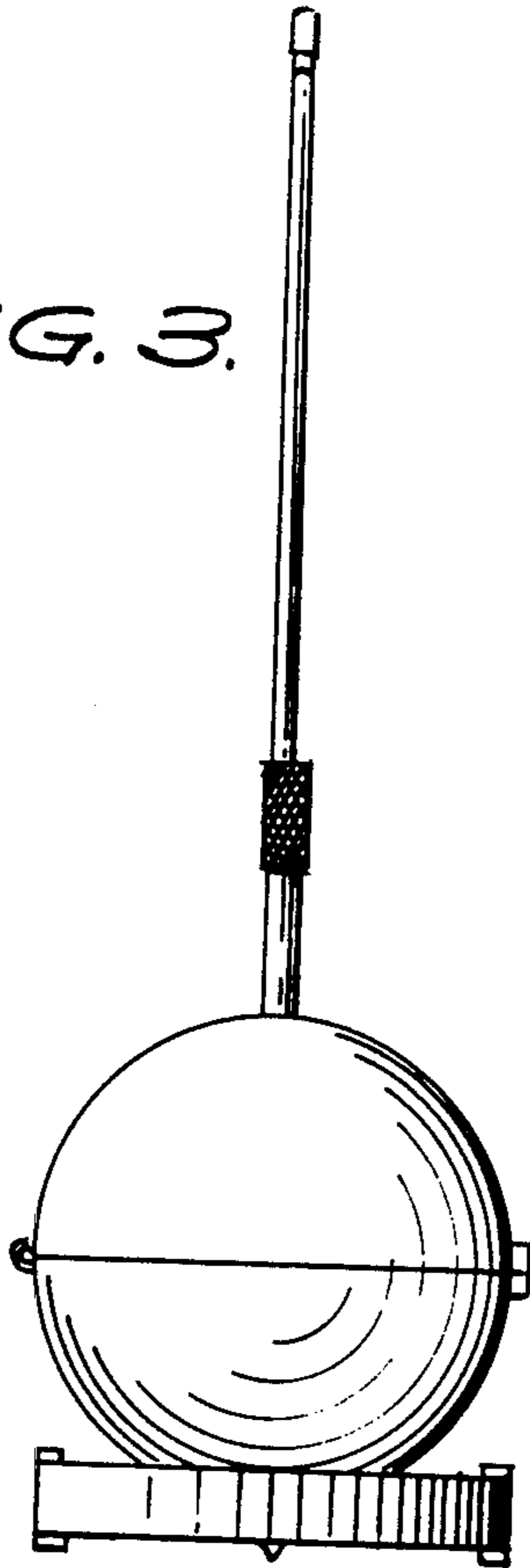


FIG. 4.

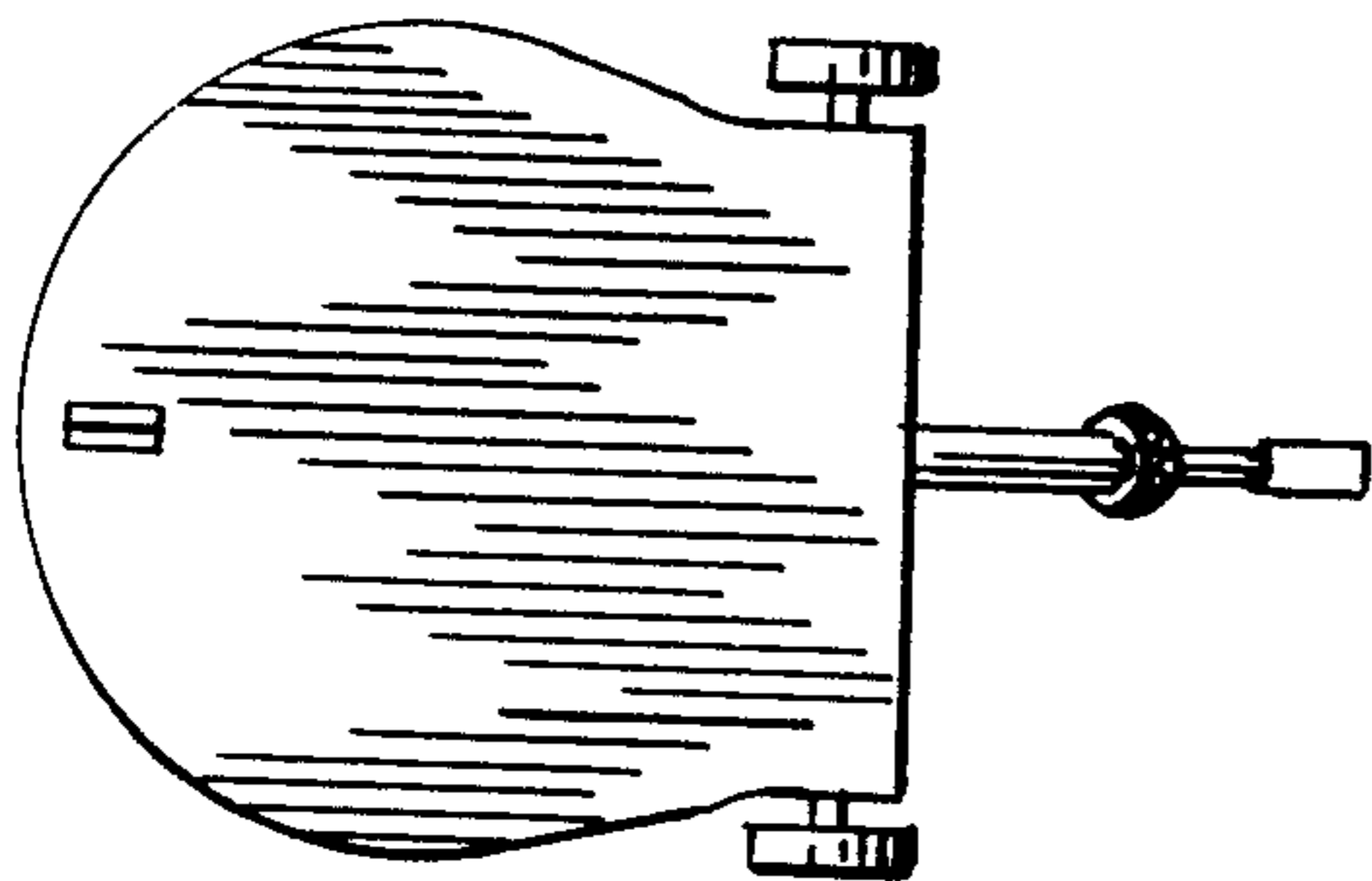
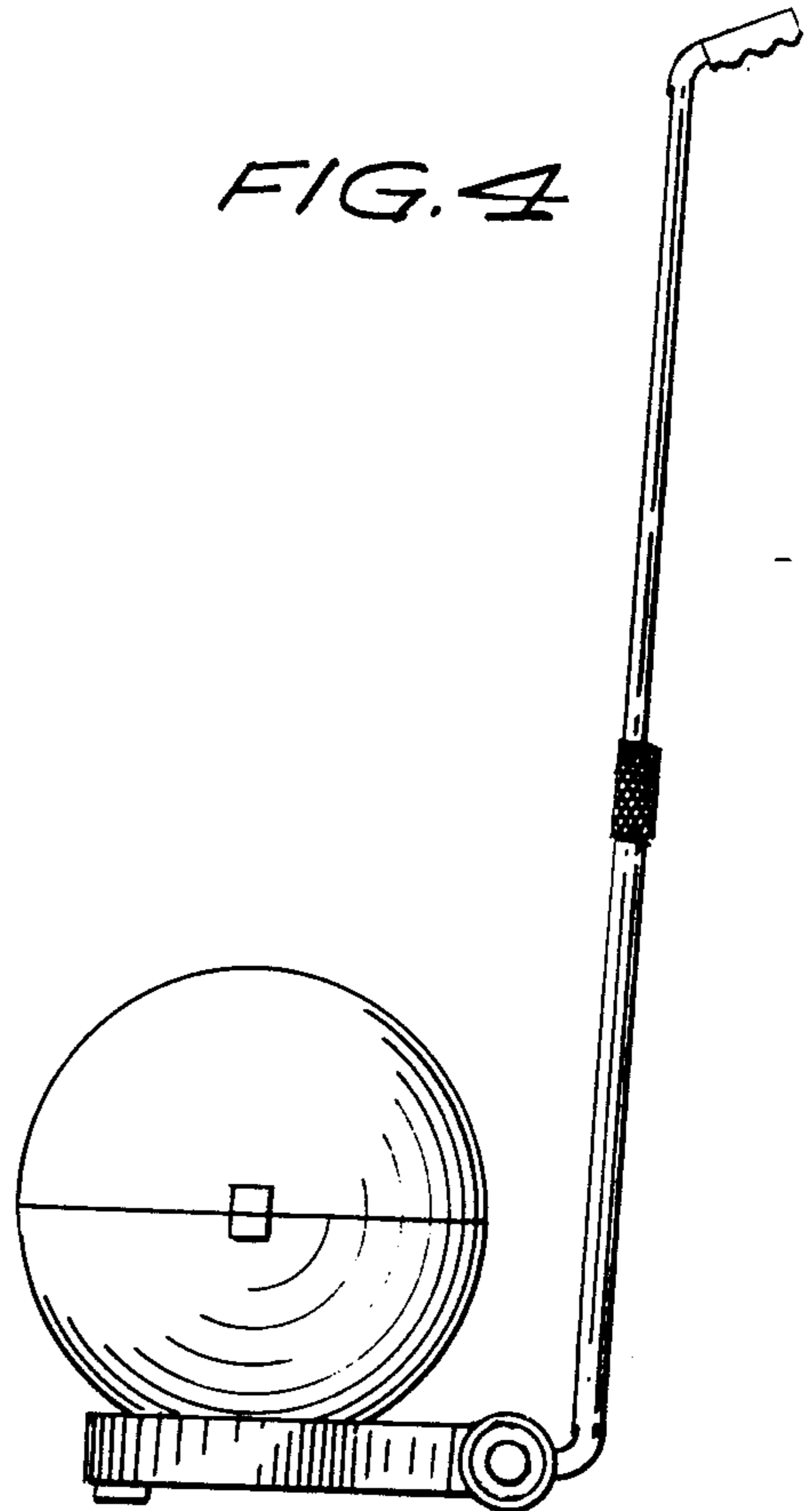


FIG. 5.

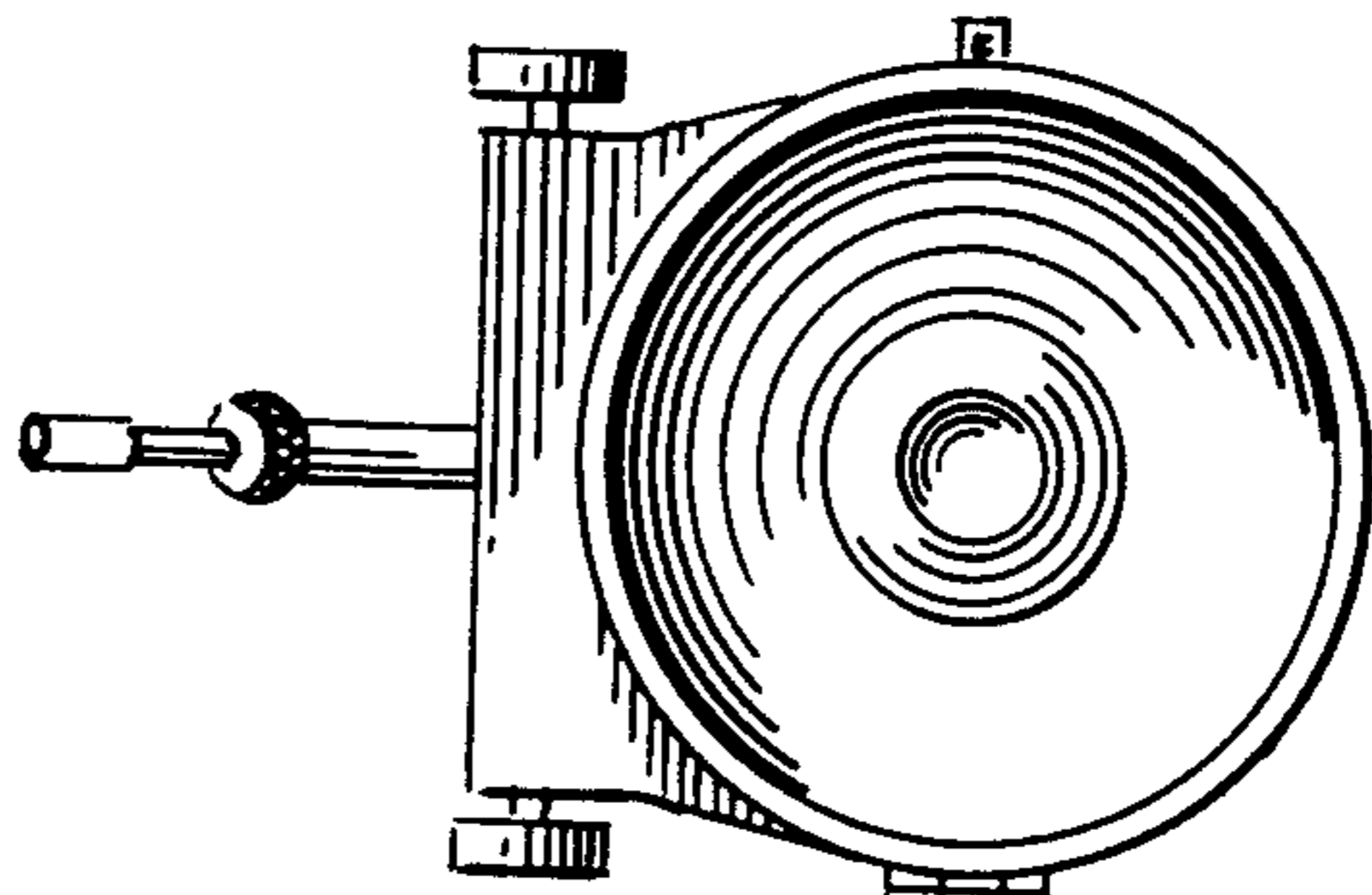


FIG. 6.

