

[54] TELEPHONE CARRIER EQUIPMENT MULTITESTER

[75] Inventor: Gary Conway Fields, Oakland, Calif.

[73] Assignee: Leemah Electronics, Inc.

[**] Term: 14 Years

[21] Appl. No.: 710,091

[22] Filed: Jul. 30, 1976

[51] Int. Cl. D10-04

[52] U.S. Cl. D10/78

[58] Field of Search D10/46, 75, 78, 102, D10/103; 324/72.5, 156, 115 R, 73 R; D13/21, 32-34, 37, 40, 49

[56] References Cited

U.S. PATENT DOCUMENTS

D. 124,210 12/1940 Soderberg D10/102
D. 212,306 9/1968 Minix D10/102

OTHER PUBLICATIONS

New Equip Digest - 4/77-p. 84 - alarm at bottom.

Primary Examiner—Nelson C. Holtje

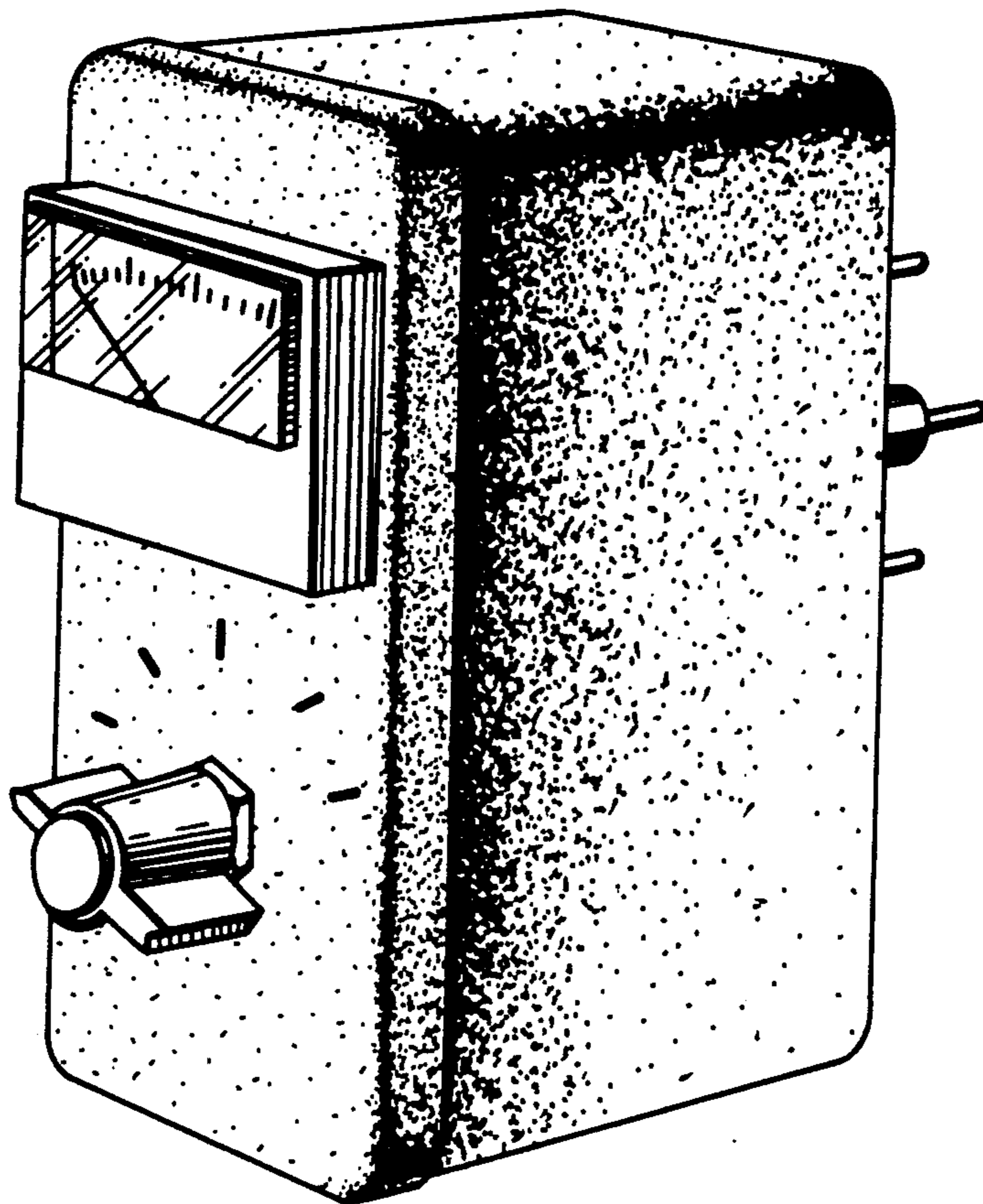
Attorney, Agent, or Firm—Robert E. Wickersham

[57] CLAIM

The ornamental design for a telephone carrier equipment multitester, substantially as shown.

DESCRIPTION

FIG. 1 is a right front perspective view of a telephone carrier equipment multitester showing my new design. FIG. 2 is a top plan view thereof; FIG. 3 is a front elevational view thereof; FIG. 4 is a right side elevational view thereof, the left side being substantially a mirror image thereto; FIG. 5 is a rear elevational view thereof.



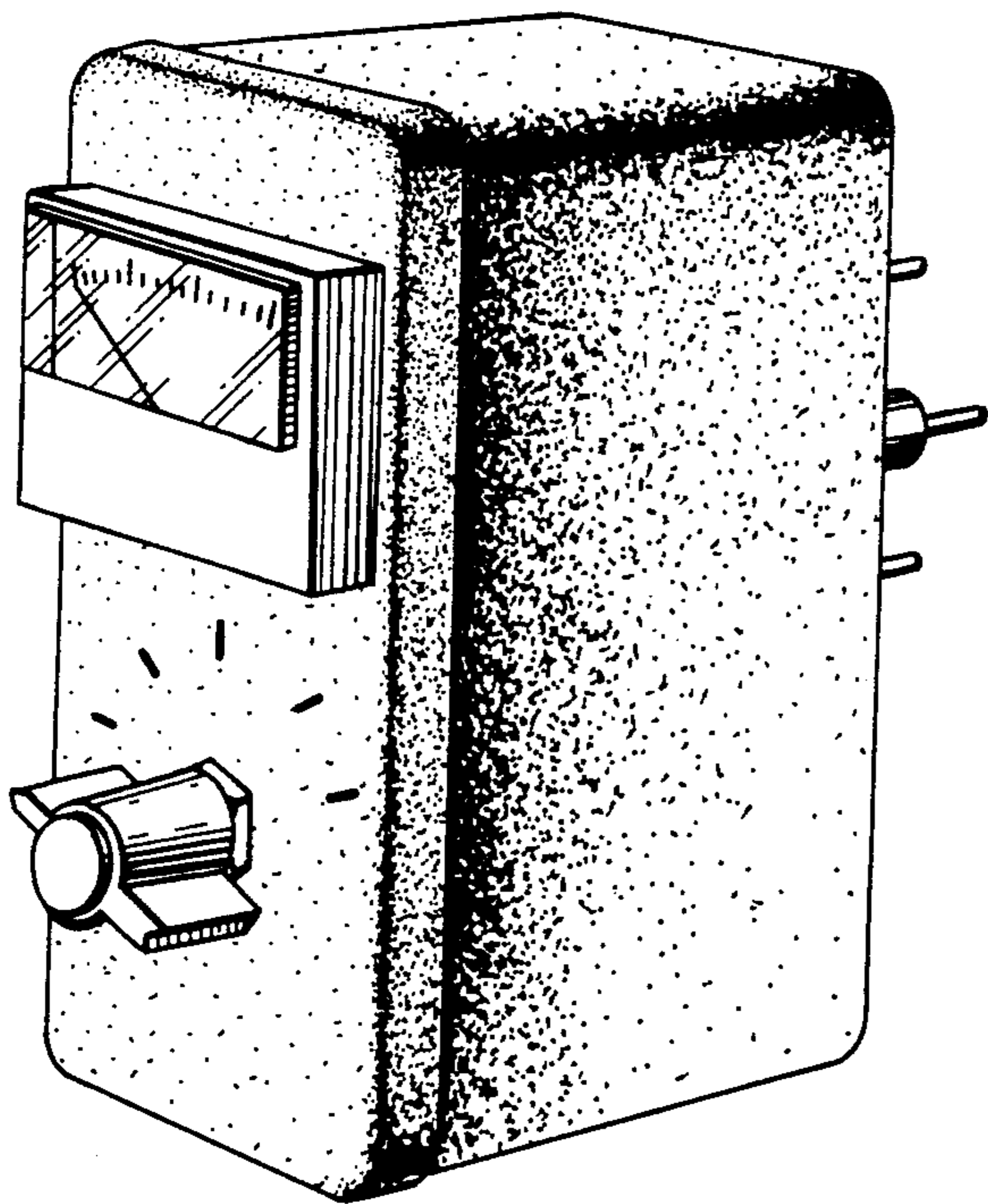


FIG. 1

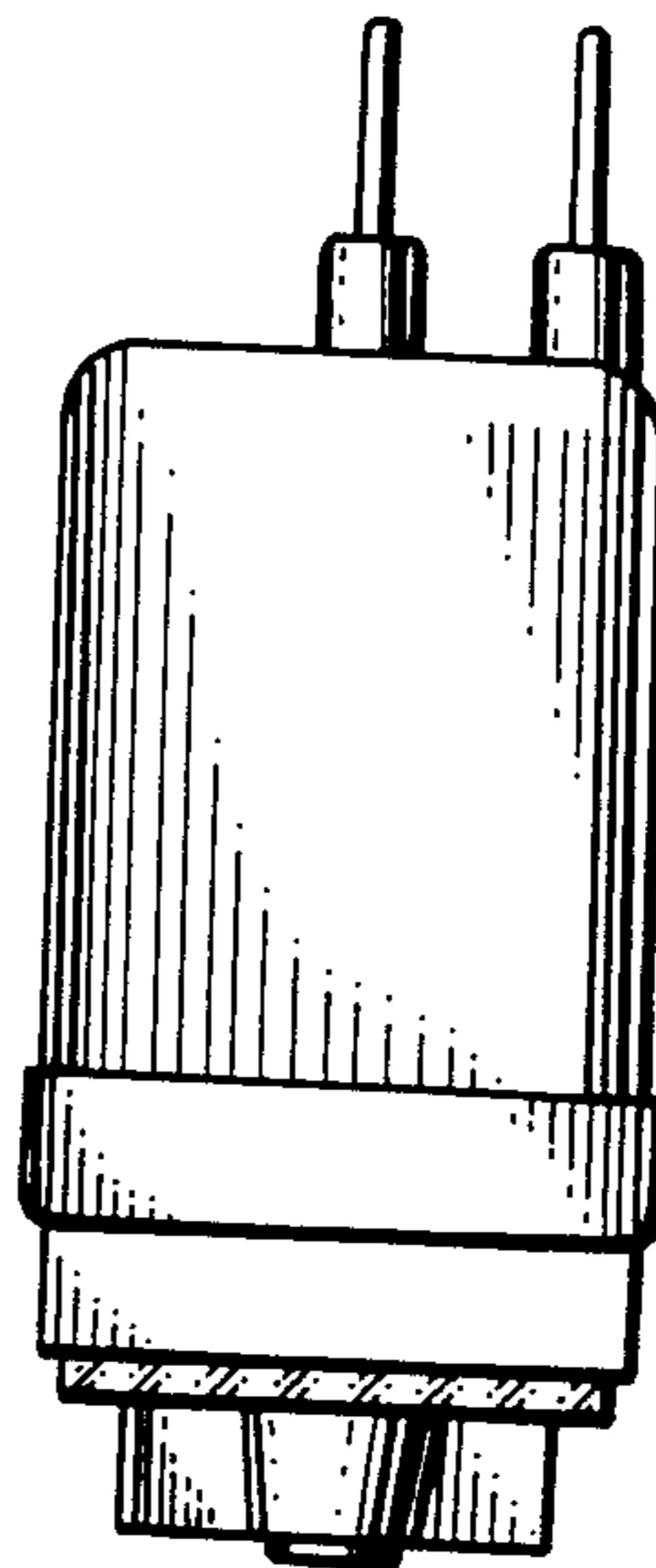


FIG. 2

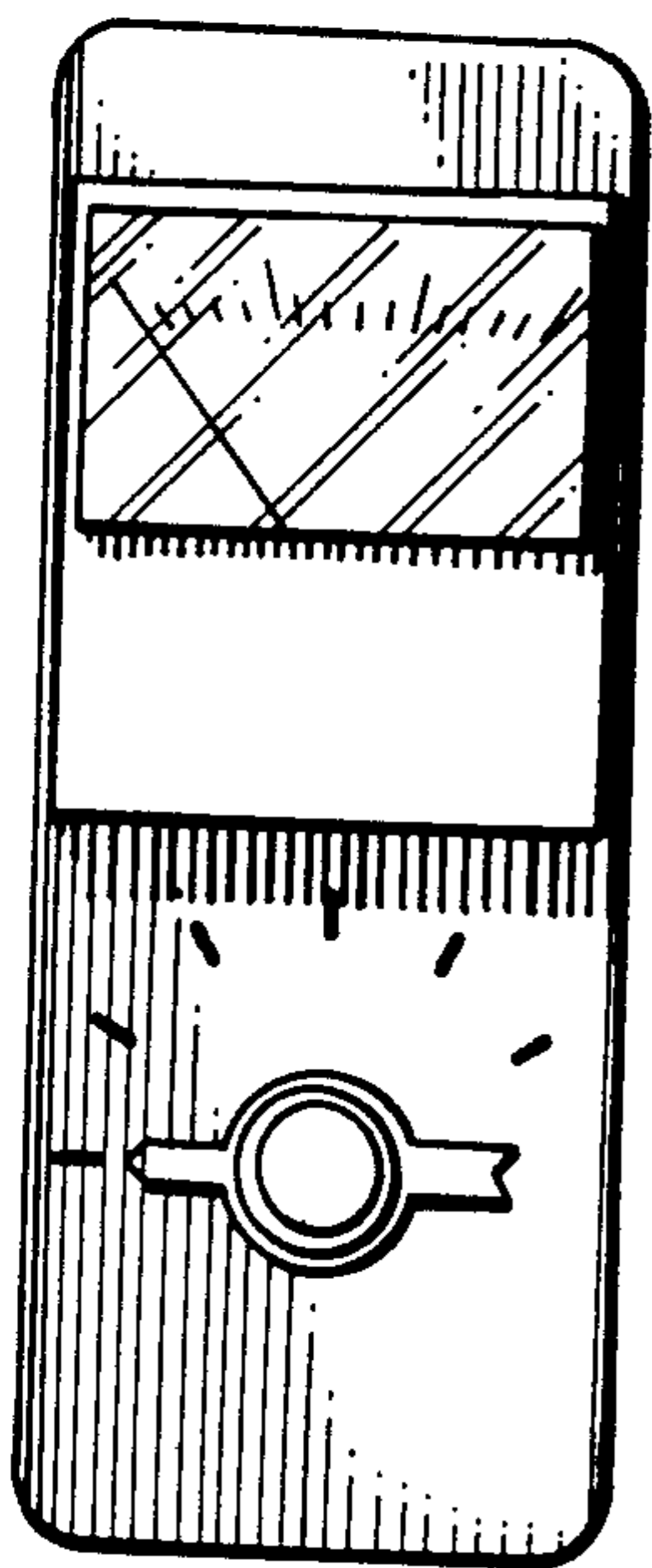


FIG. 3

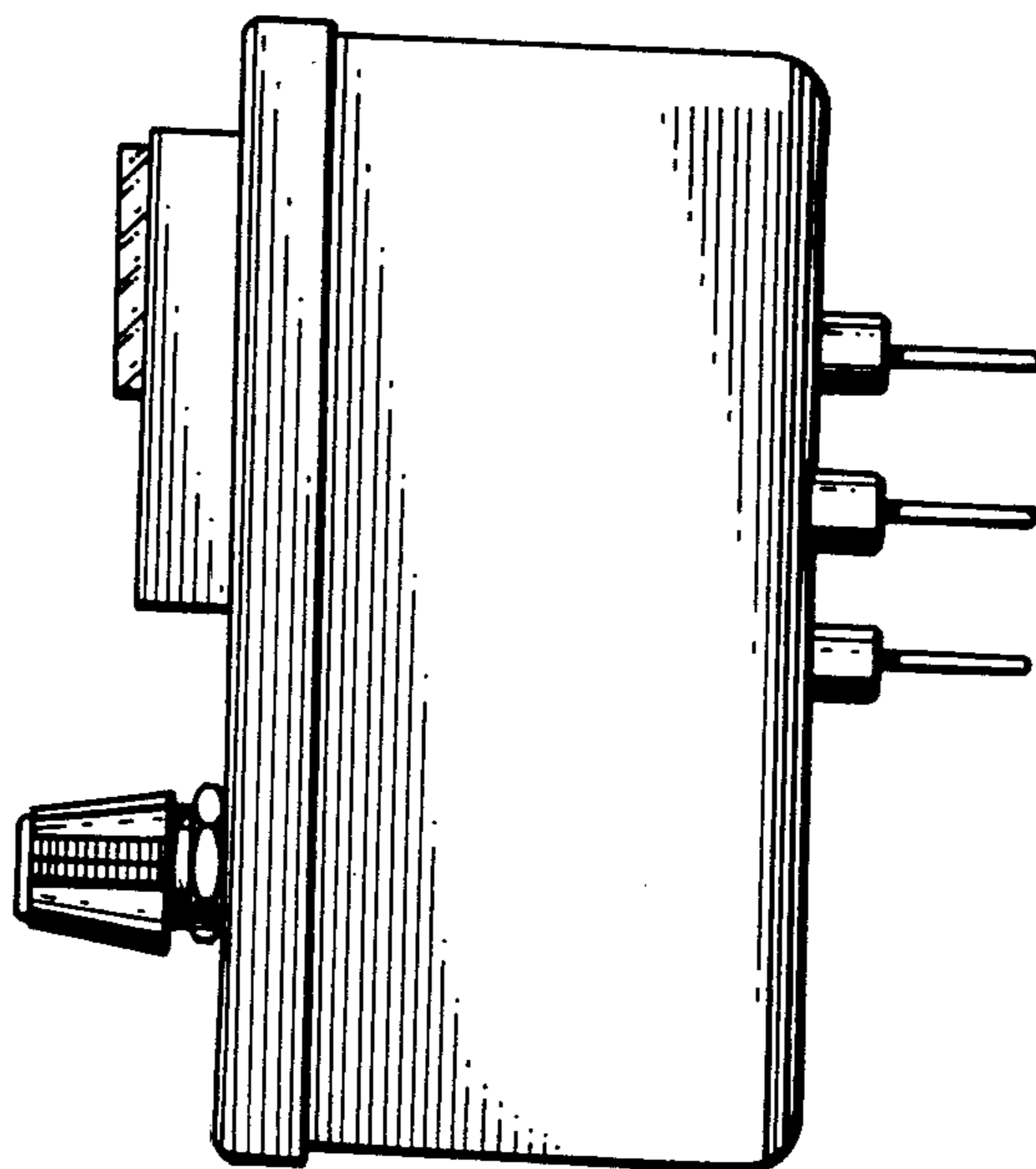


FIG. 4

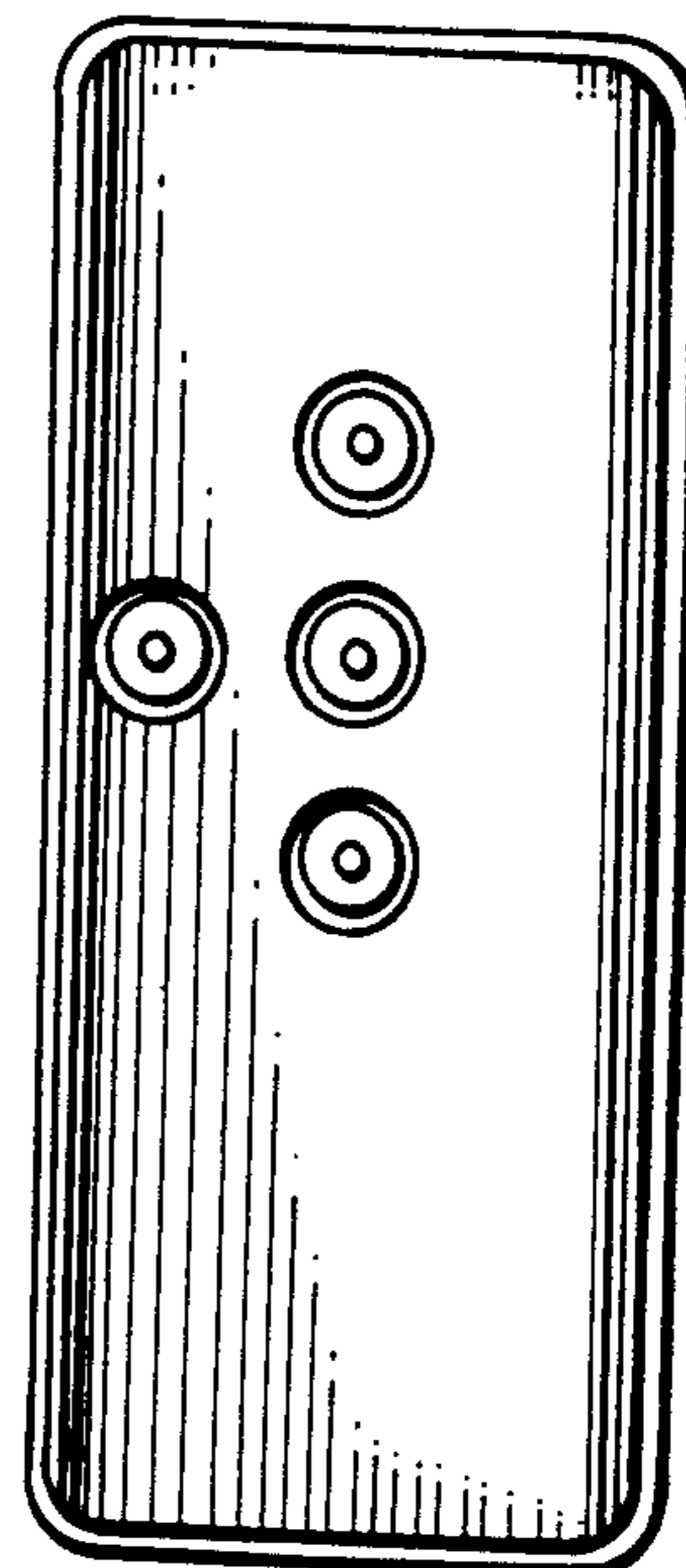


FIG. 5