

# United States Patent [19]

Hirosawa

[11] **Des. 249,651**

[45] **\*\* Sep. 26, 1978**

[54] **DIGITAL CLOCK**

[75] **Inventor:** Nobuyoshi Hirosawa, Chofu, Japan

[73] **Assignee:** Kabushiki Kaisha Sankyo Seiki  
Seisakusho, Shimosuwa, Japan

[\*\*] **Term:** 14 Years

[21] **Appl. No.:** 748,441

[22] **Filed:** Dec. 8, 1976

[51] **Int. Cl.** ..... D10-01

[52] **U.S. Cl.** ..... D10/15; D14/73 X

[58] **Field of Search** ..... D10/1, 2, 15, 24-27;  
D14/73; 58/53-56, 50 R, 50 A

[56]

### References Cited

#### U.S. PATENT DOCUMENTS

D. 222,162 10/1971 Tsukamoto ..... D14/73  
D. 241,771 10/1976 Yamamura ..... D10/15

#### OTHER PUBLICATIONS

European Jeweler-4/73-p. 113-Dig. Clock at top right.

*Primary Examiner*—Nelson C. Holtje  
*Attorney, Agent, or Firm*—Richard C. Sughrue

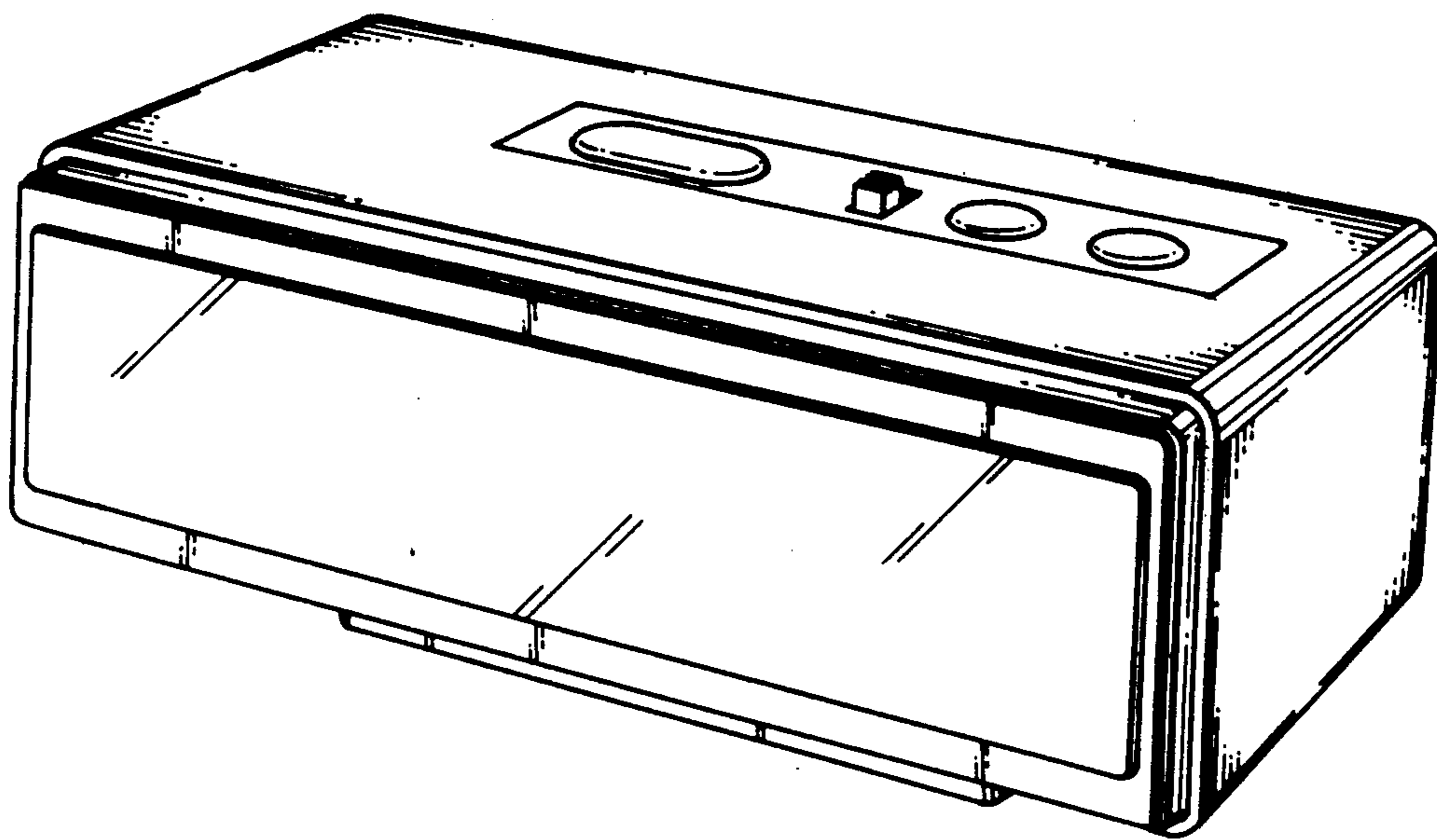
[57]

### CLAIM

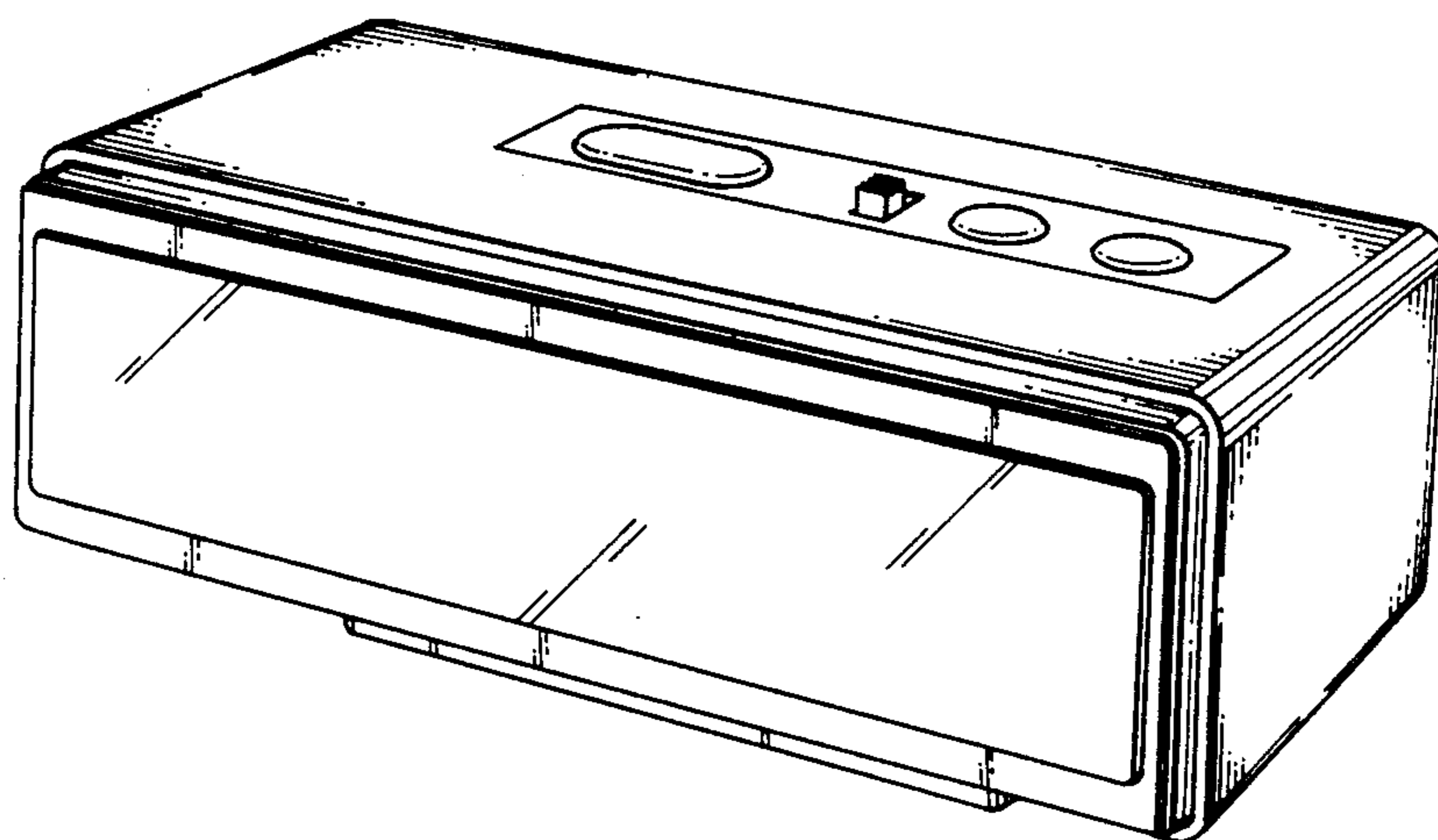
The ornamental design for a digital clock, as shown.

### DESCRIPTION

FIG. 1 is a front, top and right side perspective view of a digital clock showing my new design; and FIG. 2 is a rear, bottom and left side perspective view.



*Fig. 1*



*Fig. 2*

