

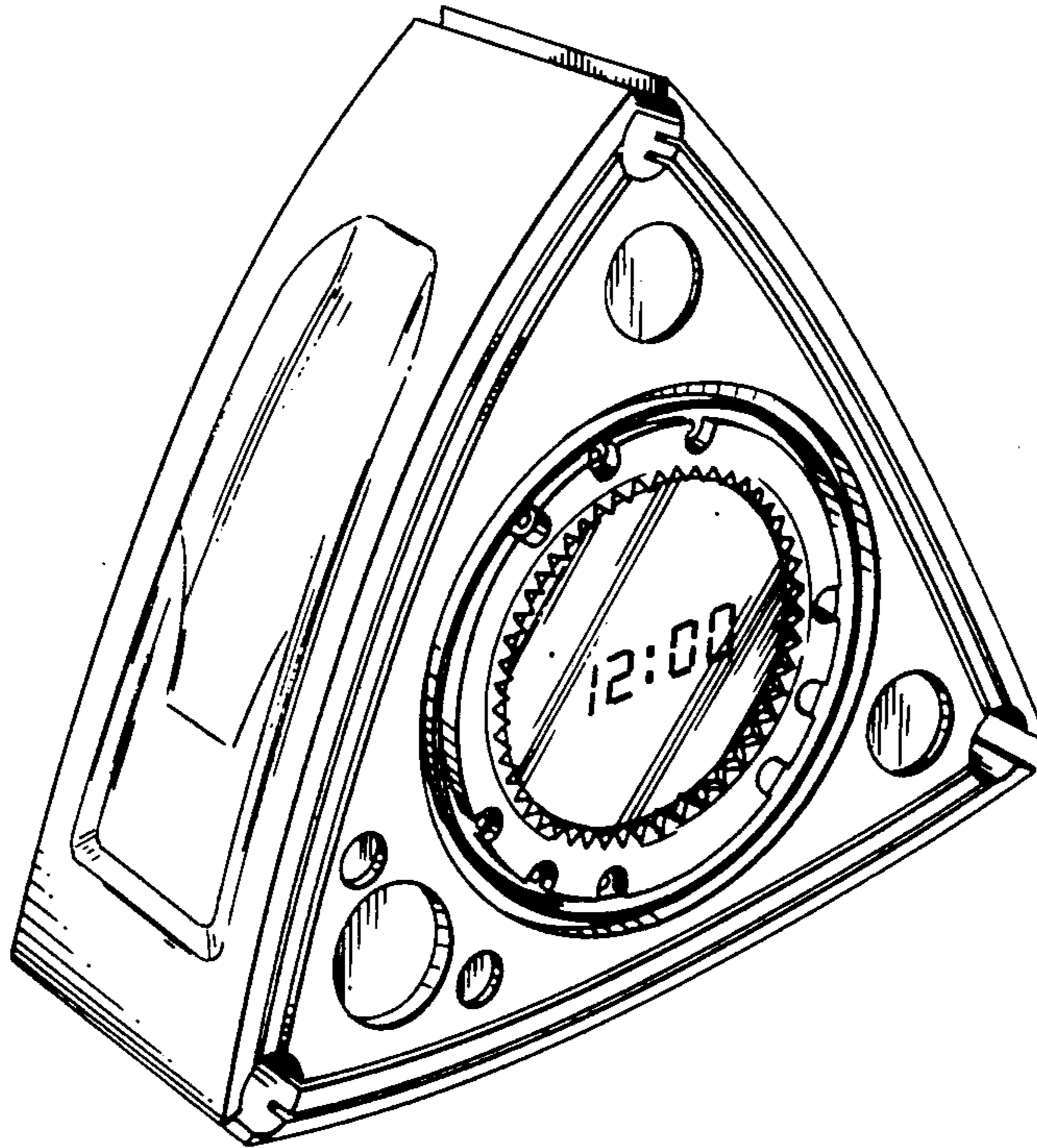
- [54] DIGITAL CLOCK
- [76] Inventor: Mark J. Schoenfeld, 4037 W. Garden Dr., Phoenix, Ariz. 85029
- [\*\*] Term: 14 Years
- [21] Appl. No.: 751,907
- [22] Filed: Dec. 17, 1976
- [51] Int. Cl. .... D10-01
- [52] U.S. Cl. .... D10/6; D10/12; D10/15
- [58] Field of Search ..... D10/6, 12, 15; 116/116, 116/129; D12/209; 58/50 R, 50 A, 152 R

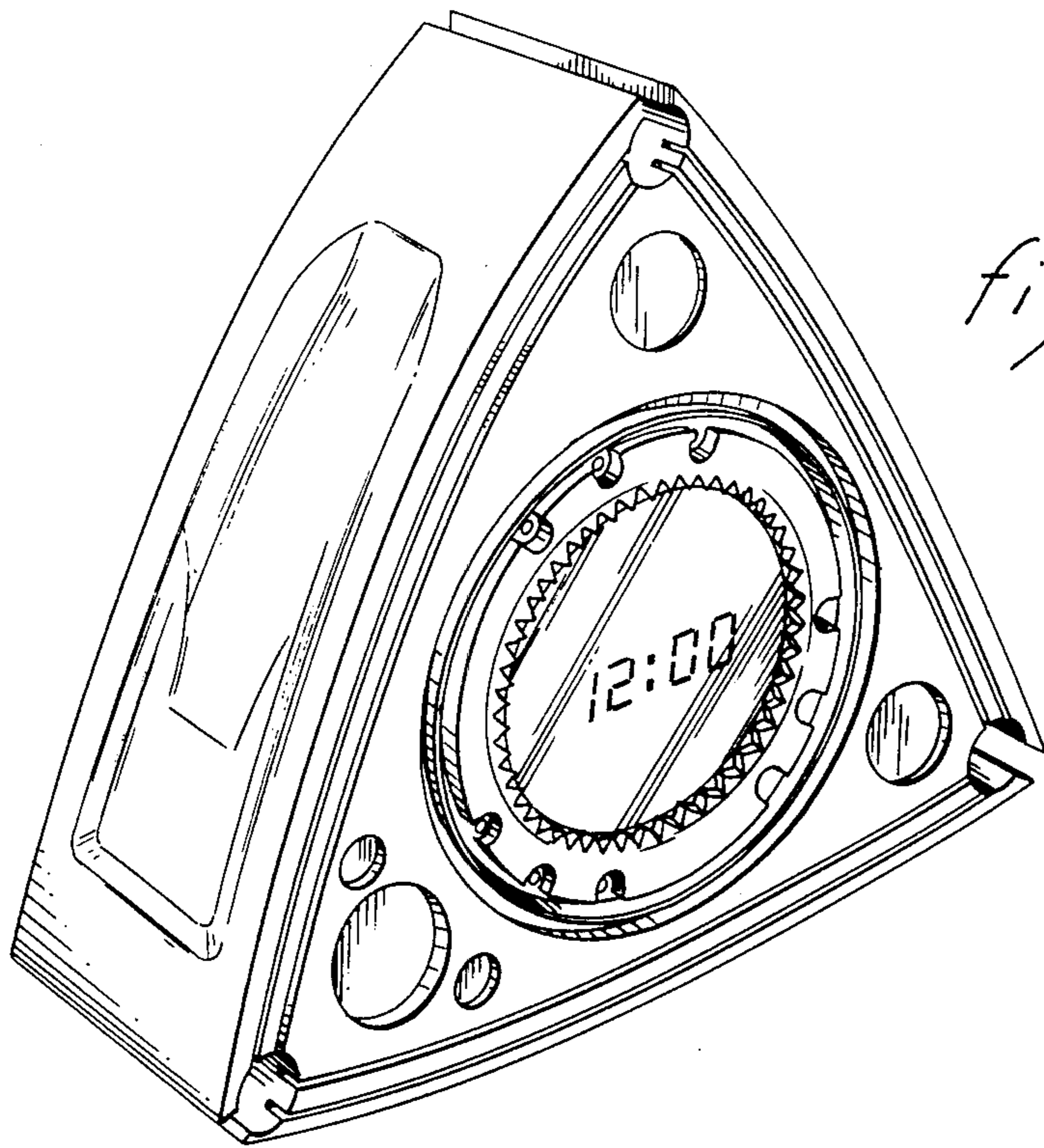
- [56] **References Cited**  
U.S. PATENT DOCUMENTS  
D. 232,432 8/1974 Clary ..... D12/209

3,726,250 4/1973 Merk ..... 116/116  
3,845,562 11/1974 Dallas ..... 33/169 R  
*Primary Examiner*—Nelson C. Holtje  
*Attorney, Agent, or Firm*—C. Robert Von Hellens

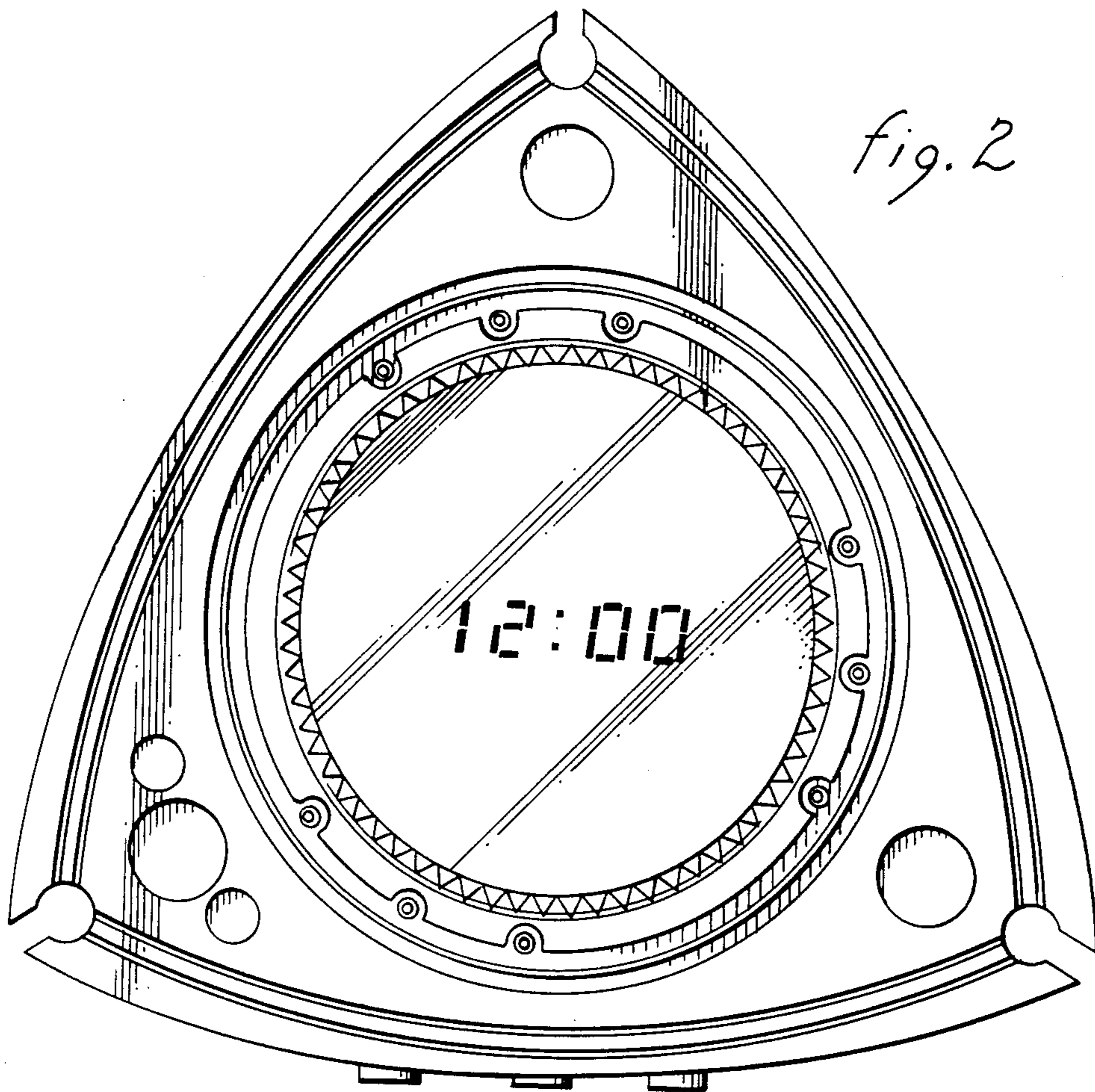
[57] **CLAIM**  
The ornamental design for a digital clock, as shown and described.

**DESCRIPTION**  
FIG. 1 is a left front perspective view of a digital clock showing my new design;  
FIG. 2 is a front elevational view thereof;  
FIG. 3 is a top plan view thereof;  
FIG. 4 is a rear elevational view thereof;  
FIG. 5 is a left side elevational view thereof;  
FIG. 6 is a bottom plan view thereof.  
The numerals 12:00 are typical time indicators in FIGS. 1 and 2.

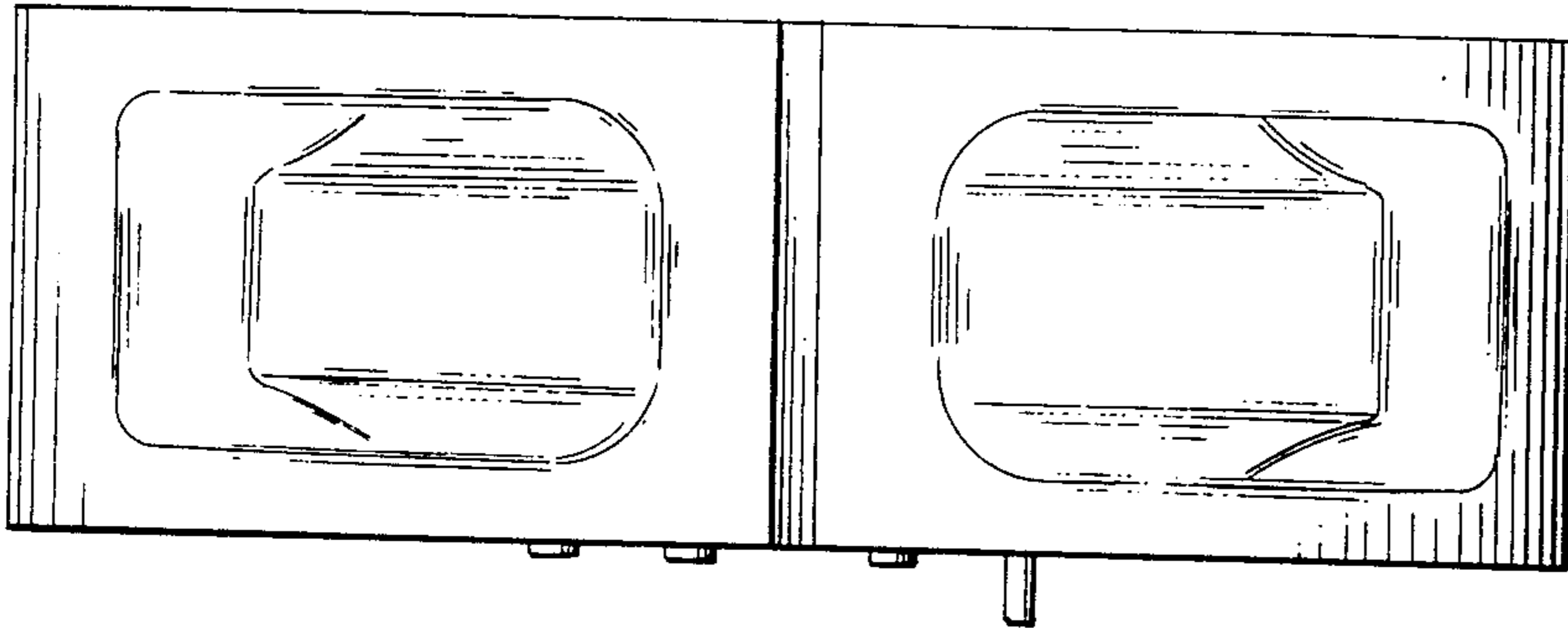




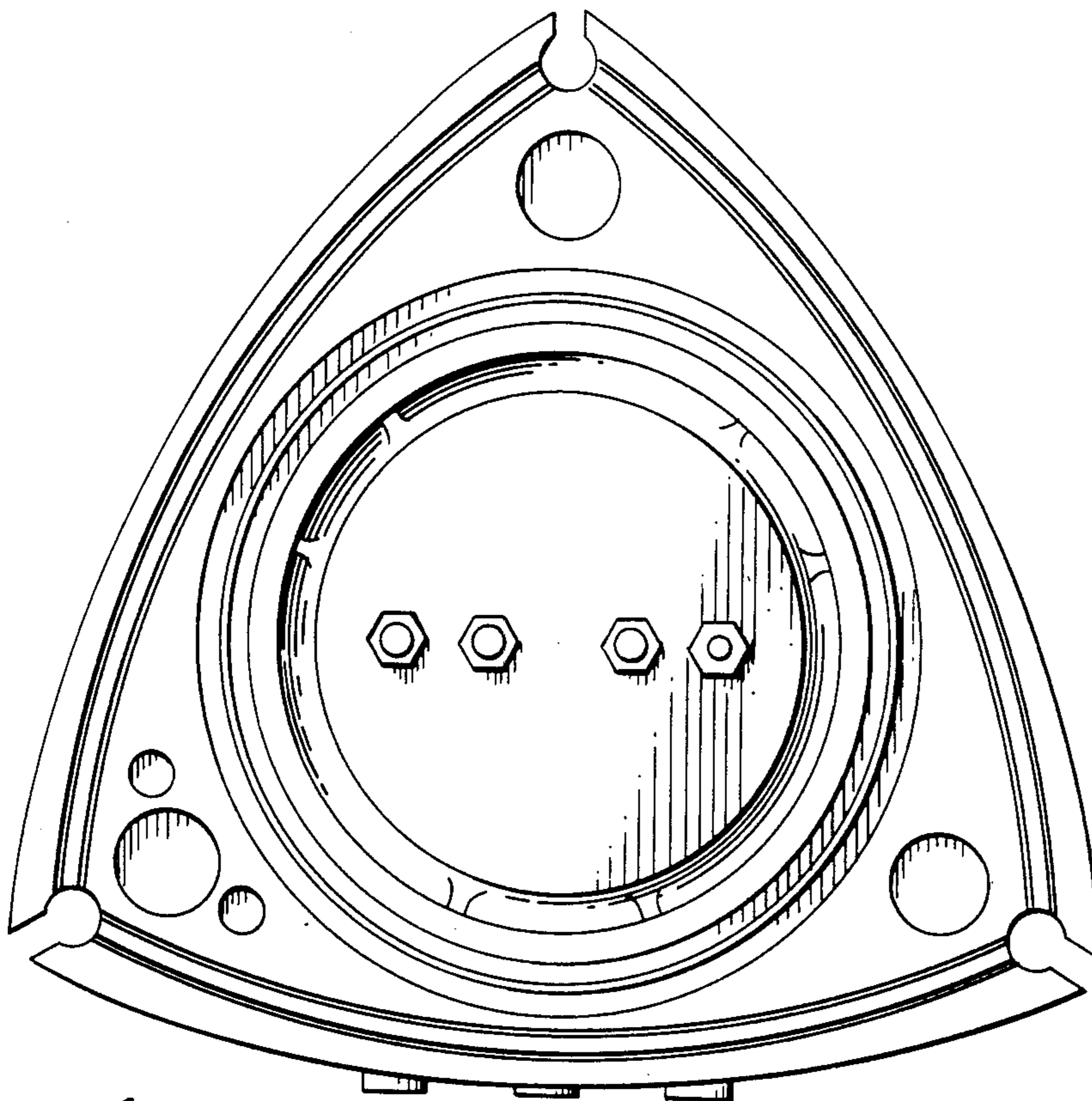
*fig. 1*



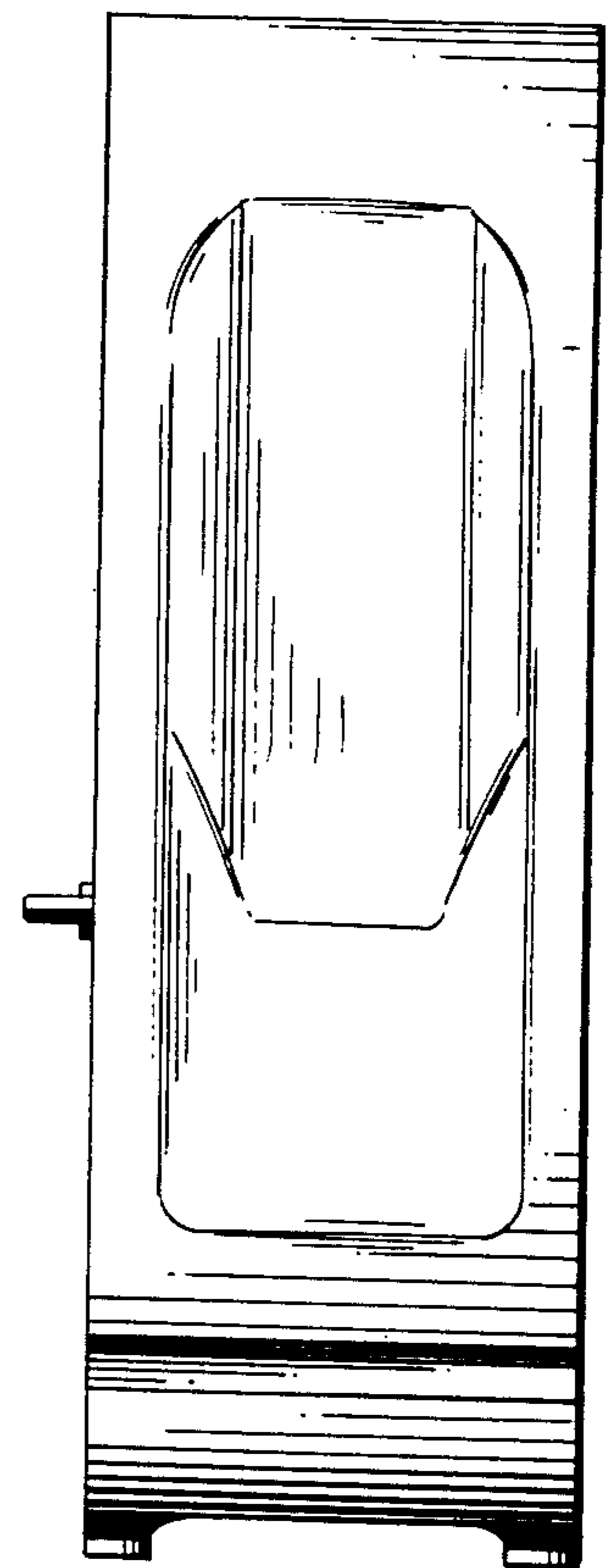
*fig. 2*



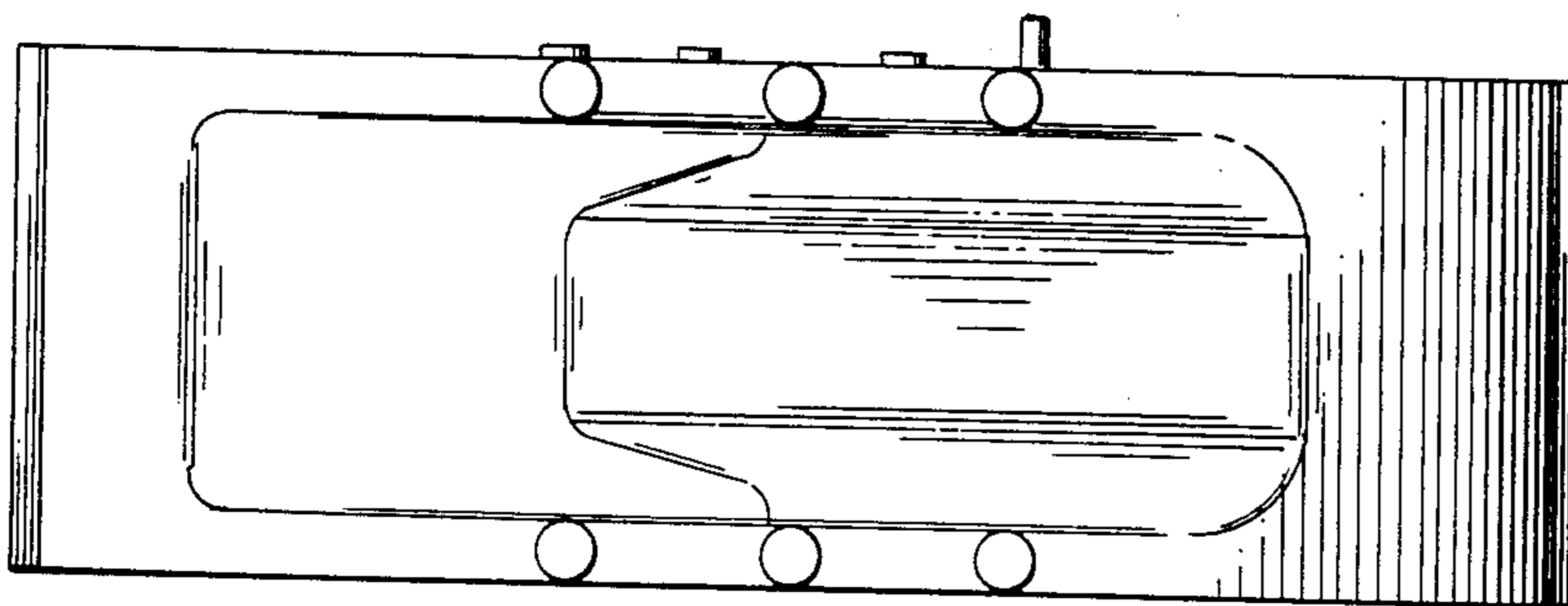
*fig. 3*



*fig. 4*



*fig. 5*



*fig. 6*