

[54] POURING SPOUT FOR A CONTAINER

[76] Inventor: Donald Terry Goodall, 30 Beach St.,
Blakehurst, Sydney, New South
Wales, Australia

[**] Term: 14 Years

[21] Appl. No.: 681,809

[22] Filed: Apr. 30, 1976

[30] Foreign Application Priority Data

Nov. 4, 1975 [AU] Australia 68068/75
Nov. 24, 1975 [AU] Australia 68166/75

[51] Int. Cl. D9-99

[52] U.S. Cl. D9/290

[58] Field of Search D9/290; 222/566-570

[56]

References Cited

U.S. PATENT DOCUMENTS

D. 194,717	2/1963	Purviance	D9/290
D. 205,924	10/1966	Zelisko	D9/290
D. 206,360	11/1966	Pastorius	D9/290
D. 217,233	4/1970	Stehl	D9/290
D. 247,350	2/1978	Witt	D9/290 X
2,552,154	5/1951	Danielson	D9/290 X

Primary Examiner—Robert C. Spangler
Attorney, Agent, or Firm—Emory L. Groff

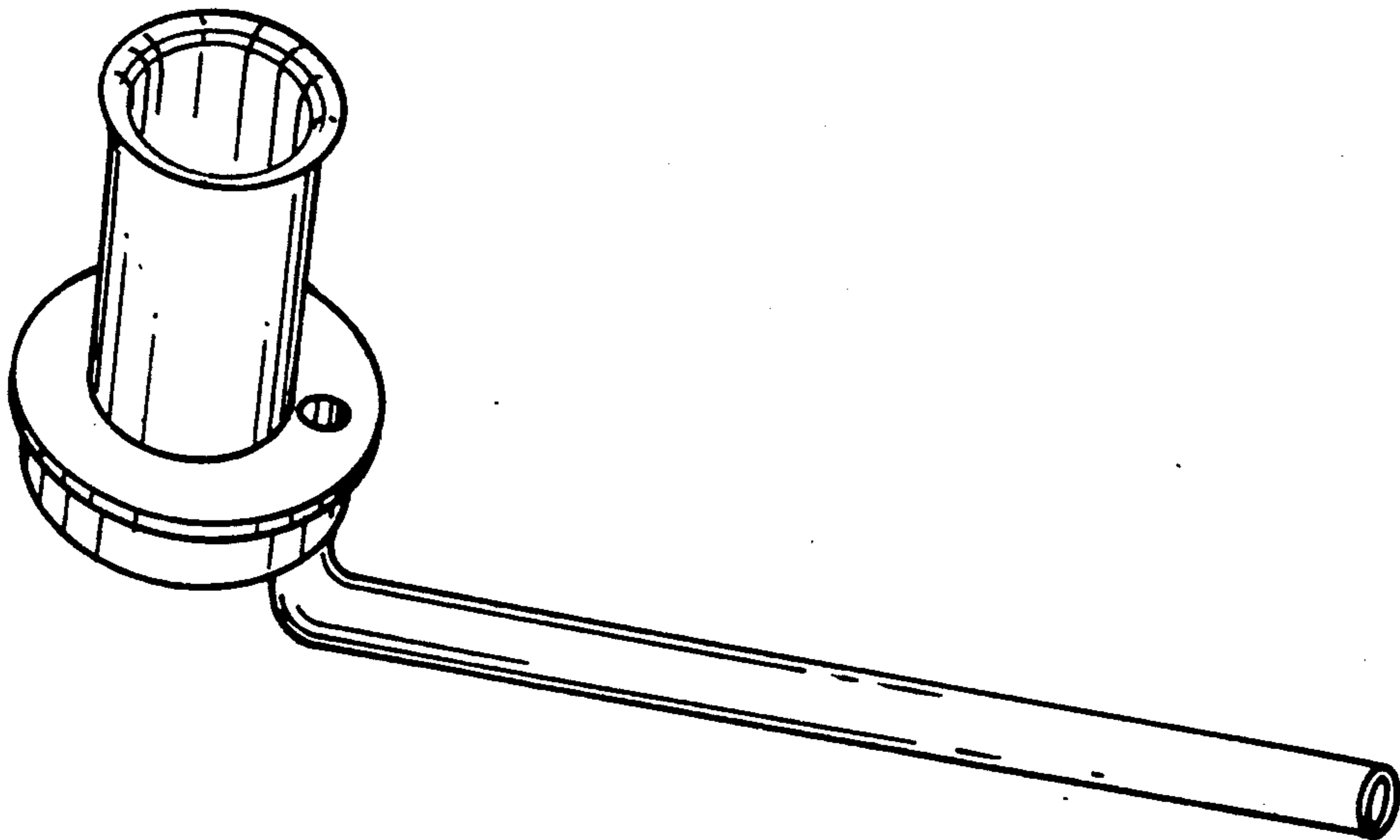
[57]

CLAIM

The ornamental design for a pouring spout for a container, substantially as shown.

DESCRIPTION

FIG. 1 is a top perspective view of a pouring spout for a container embodying my new design; and FIG. 2 is a bottom perspective view thereof.



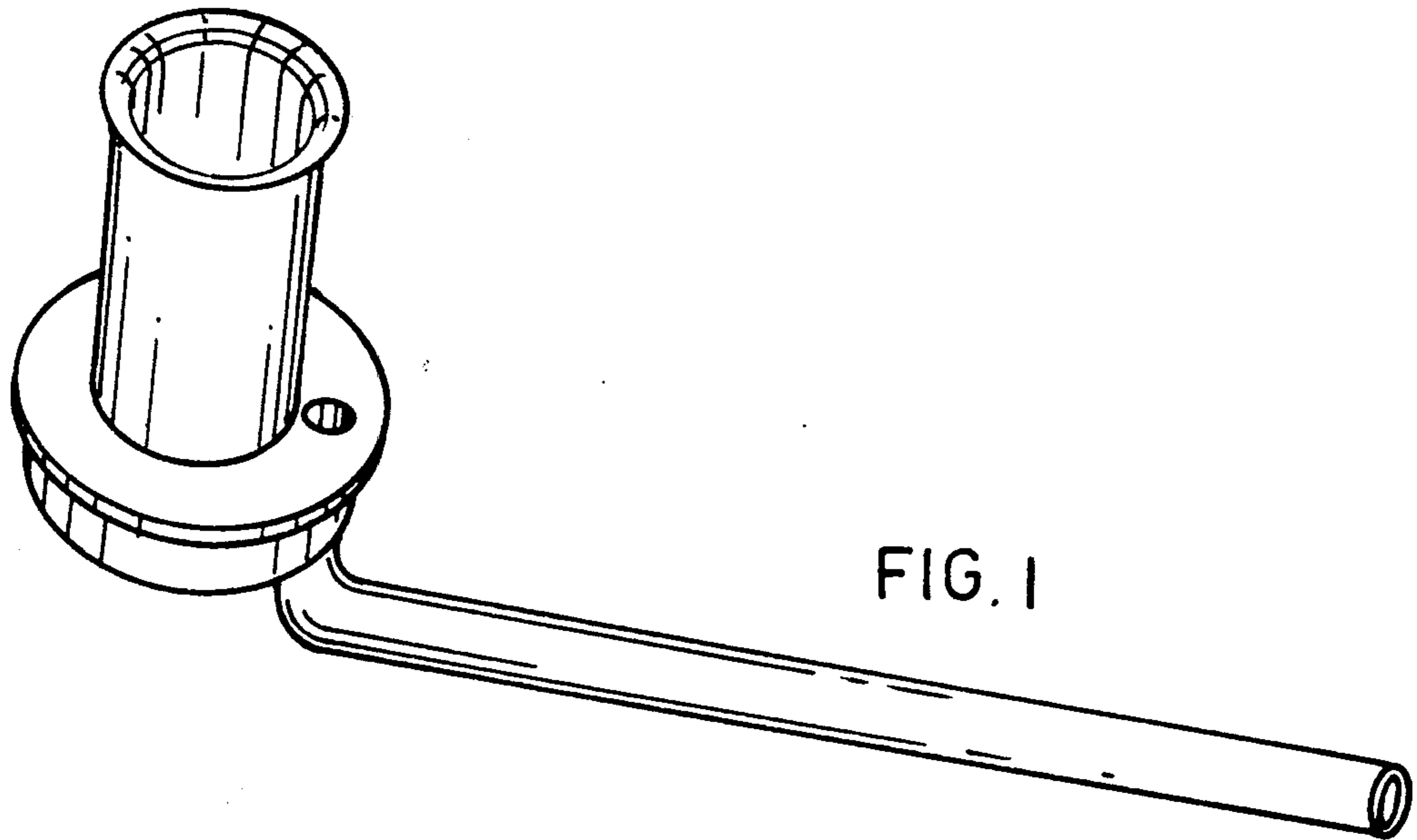


FIG. 1

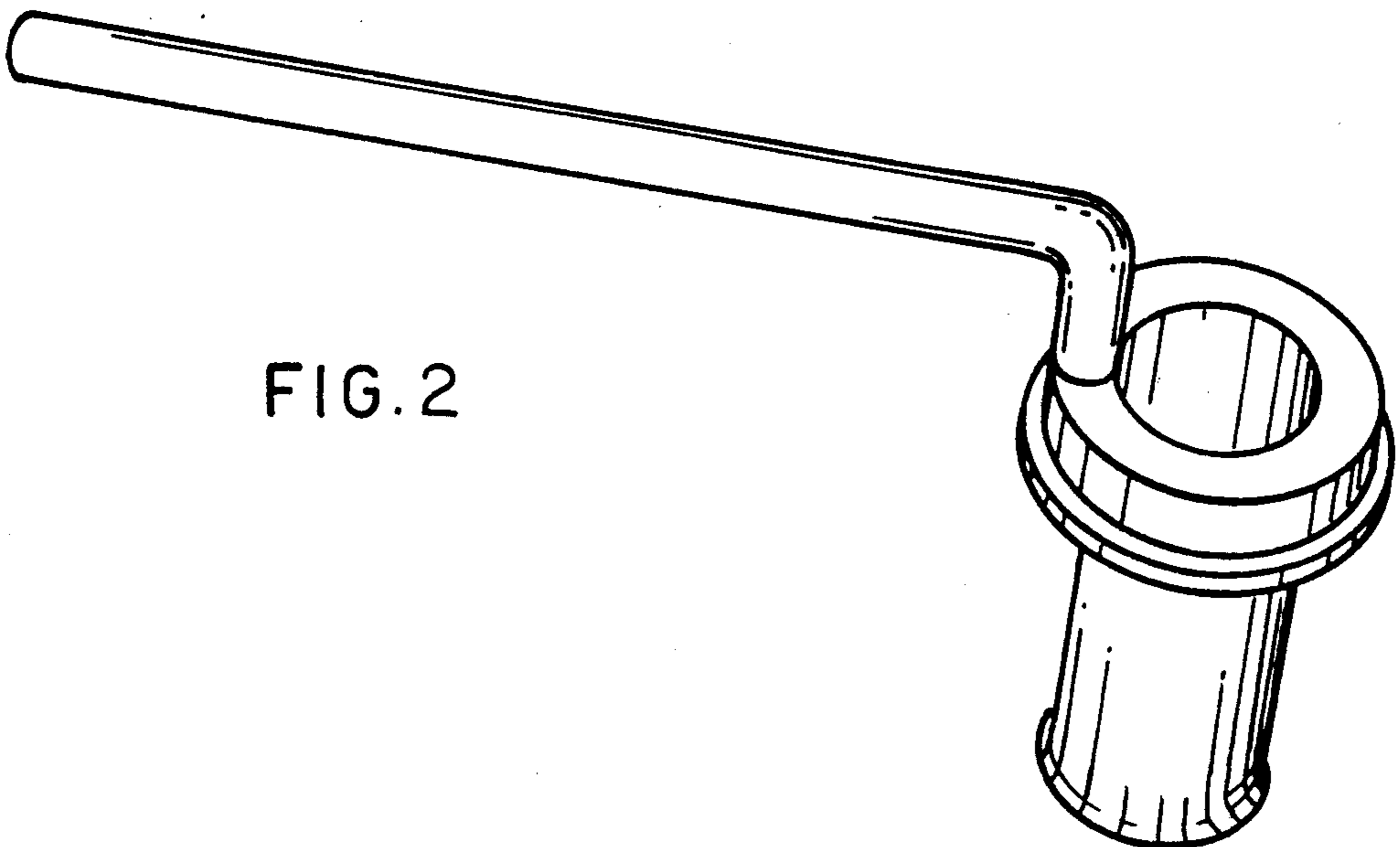


FIG. 2