

[54] PAINT CAN ATTACHMENT

[75] Inventor: Edward Tedesco, Fort Lauderdale, Fla.

[73] Assignee: Tedco Products, Fort Lauderdale, Fla.

[\*\*] Term: 14 Years

[21] Appl. No.: 712,304

[22] Filed: Aug. 6, 1976

[51] Int. Cl. .... D9-99

[52] U.S. Cl. .... D9/289

[58] Field of Search .... D9/289, 290; 222/566-571

[56] References Cited

U.S. PATENT DOCUMENTS

D. 126,200	4/1941	Eisenberg .....	D9/290
2,873,881	2/1959	Nichols .....	D9/290 X
2,960,257	11/1960	Sasse .....	D9/289 X
3,994,424	11/1976	Koeller .....	222/570

Primary Examiner—Robert C. Spangler  
Attorney, Agent, or Firm—Elliott I. Pollock

[57] CLAIM

The ornamental design for a paint can attachment, as shown and described.

DESCRIPTION

FIG. 1 is a top plan view of a paint can attachment showing my new design;  
FIG. 2 is a bottom plan view;  
FIG. 3 is a side elevational view; and  
FIG. 4 is an enlarged, fragmentary cross-sectional view taken on line 4-4 of FIG. 1.

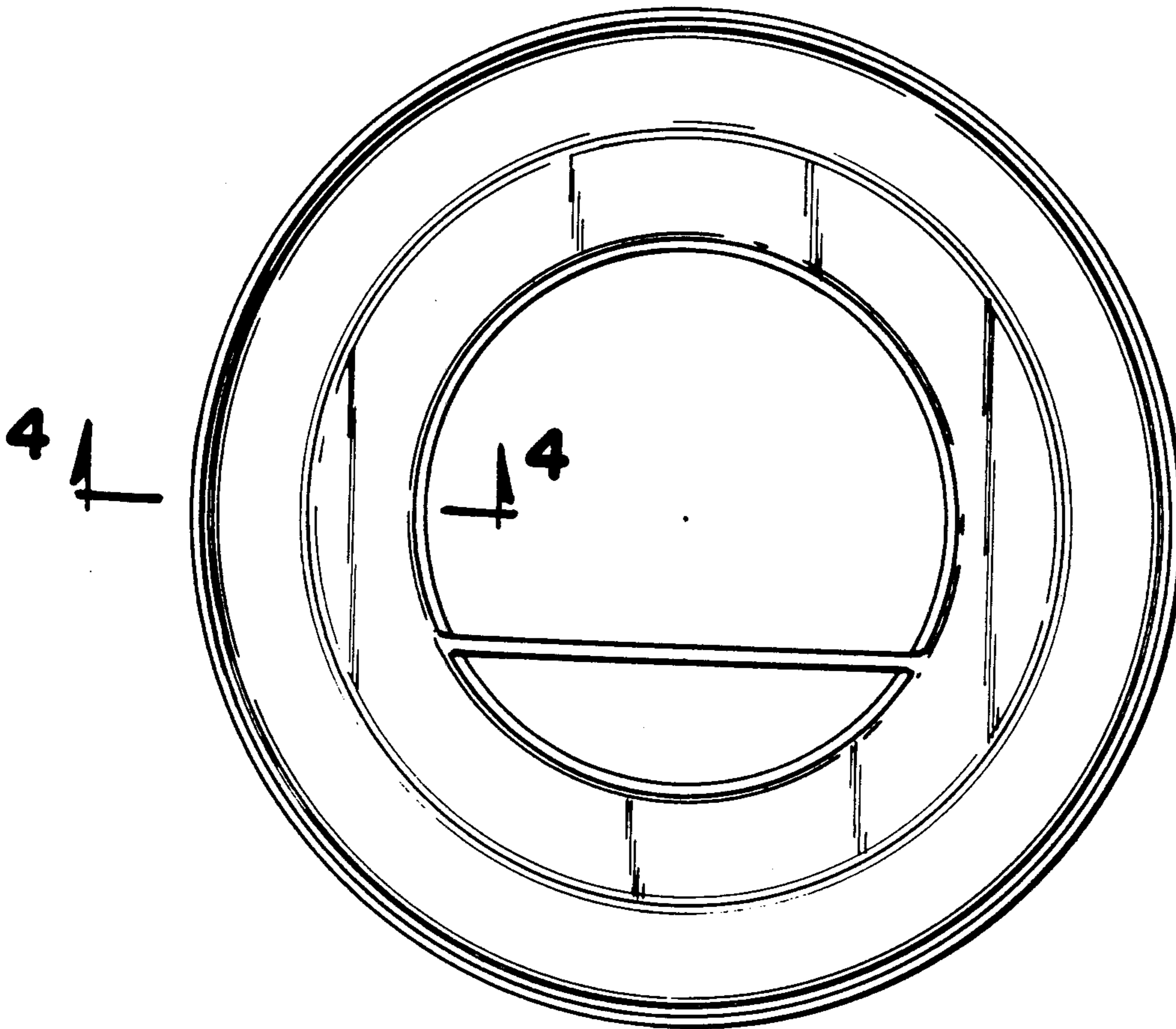


FIG. 1.

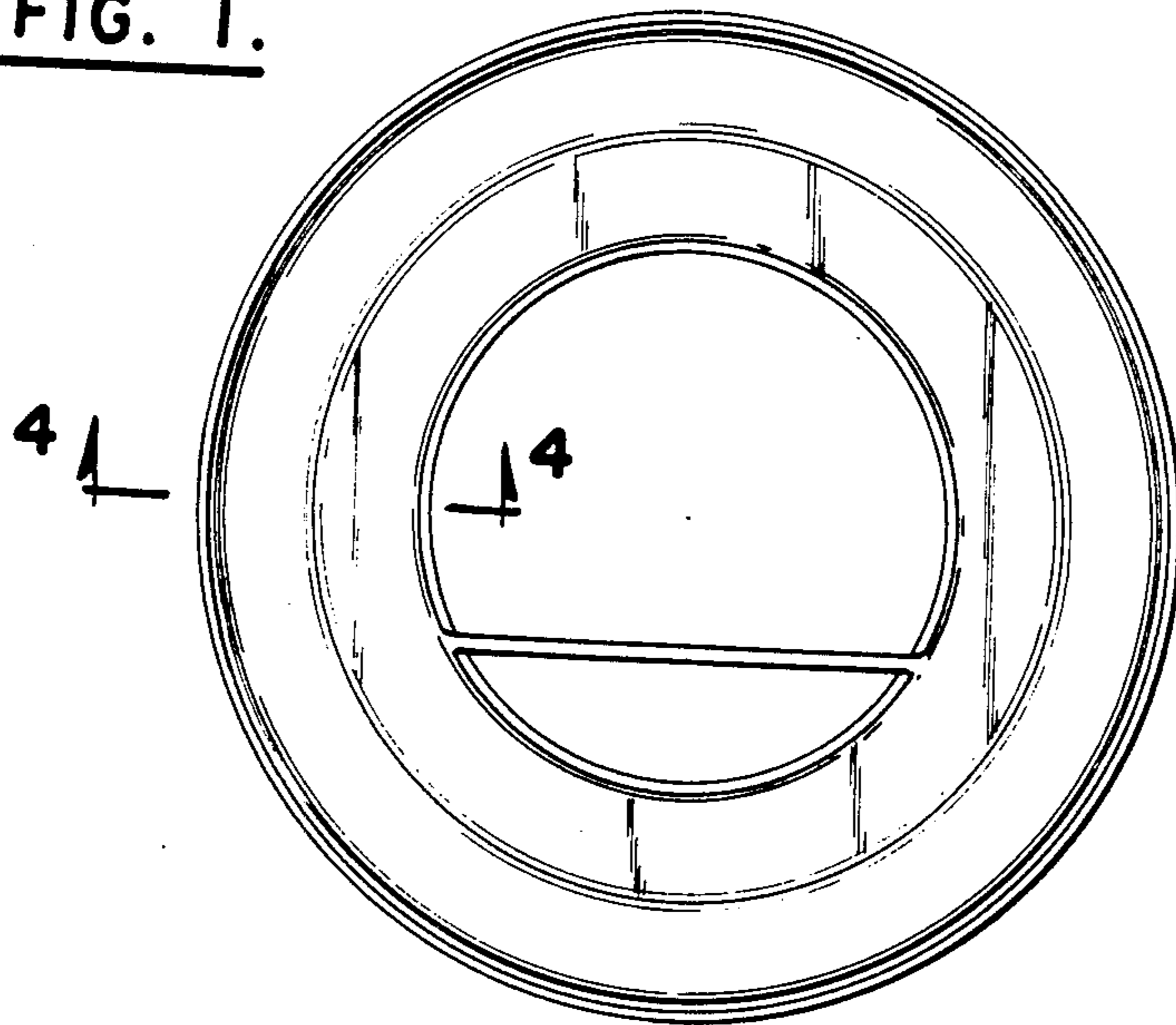


FIG. 2.

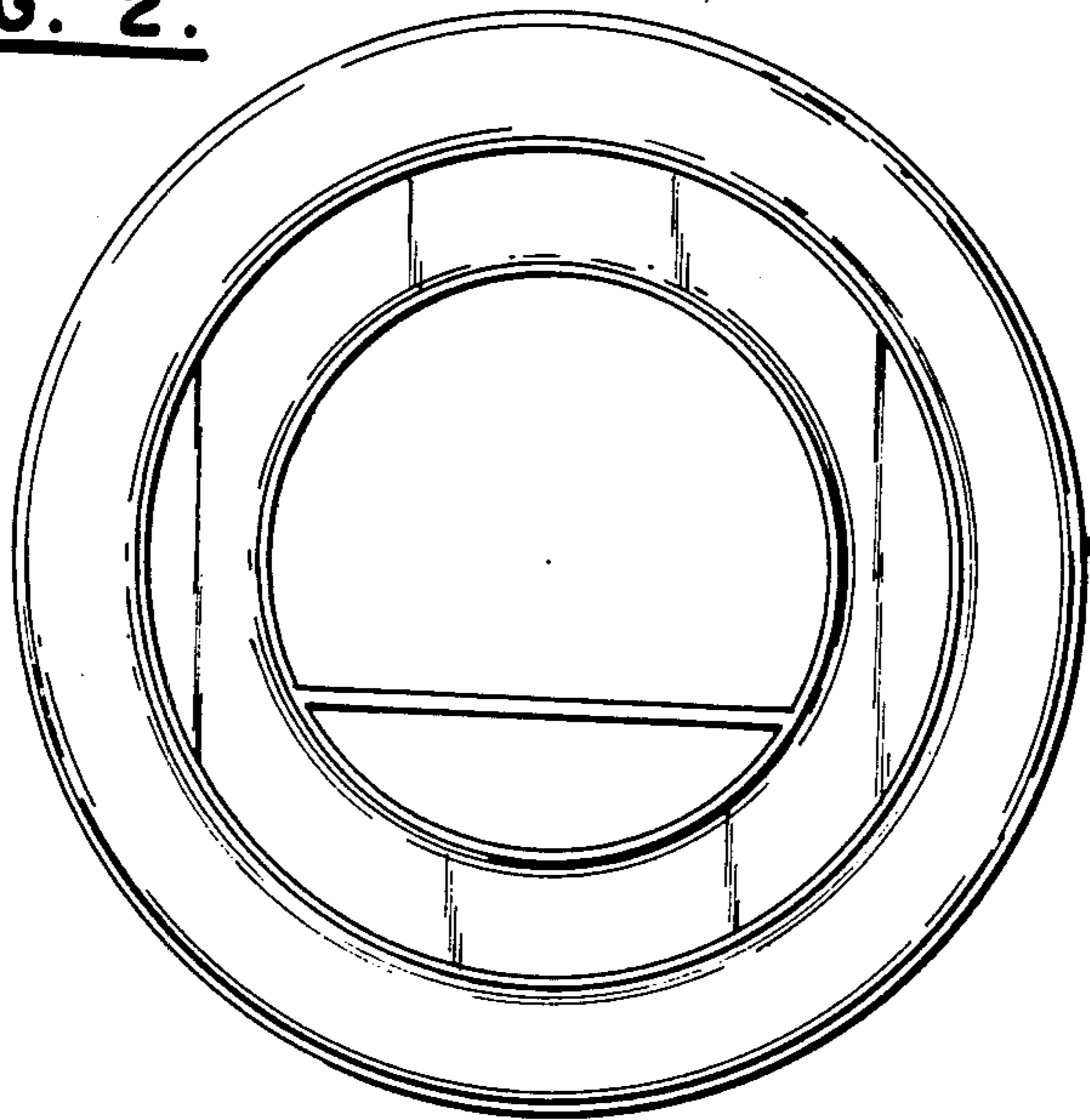


FIG. 3.



FIG. 4.

