

[54] COMBINED PACKAGING CONTAINER AND LID THEREFOR

[75] Inventor: Frederick Harold Edwards, Mentone, Australia

[73] Assignee: Vinyl Clad Proprietary Limited

[**] Term: 14 Years

[21] Appl. No.: 612,474

[22] Filed: Sep. 11, 1975

[51] Int. Cl. D9-03

[52] U.S. Cl. D9/220; D9/240; D9/281

[58] Field of Search 220/306; 150/0.5; D9/240, 220, 267, 216, 254, 281; D7/16, 17

[56]

References Cited

U.S. PATENT DOCUMENTS

| | | | |
|------------|--------|-----------------|----------|
| D. 239,999 | 5/1976 | Christian | D9/220 |
| 3,421,681 | 1/1969 | Frank | D9/281 X |
| 3,609,263 | 9/1971 | Clementi | 220/306 |

Primary Examiner—Robert C. Spangler
Attorney, Agent, or Firm—Ralph E. Bucknam

[57]

CLAIM

The ornamental design for a combined packaging container and lid therefor, substantially as shown.

DESCRIPTION

FIG. 1 is a top perspective view of a combined packaging container and lid therefor showing my new design; FIG. 2 is an elevational view with the lid removed; FIG. 3 is a top plan view with the lid removed; FIG. 4 is a fragmentary view partially in section taken on the line 4-4 of FIG. 3; FIG. 5 is a top plan view of the lid; FIG. 6 is a bottom plan view of the lid; and FIG. 7 is a fragmentary sectional view taken on the line 7-7 of FIG. 6.

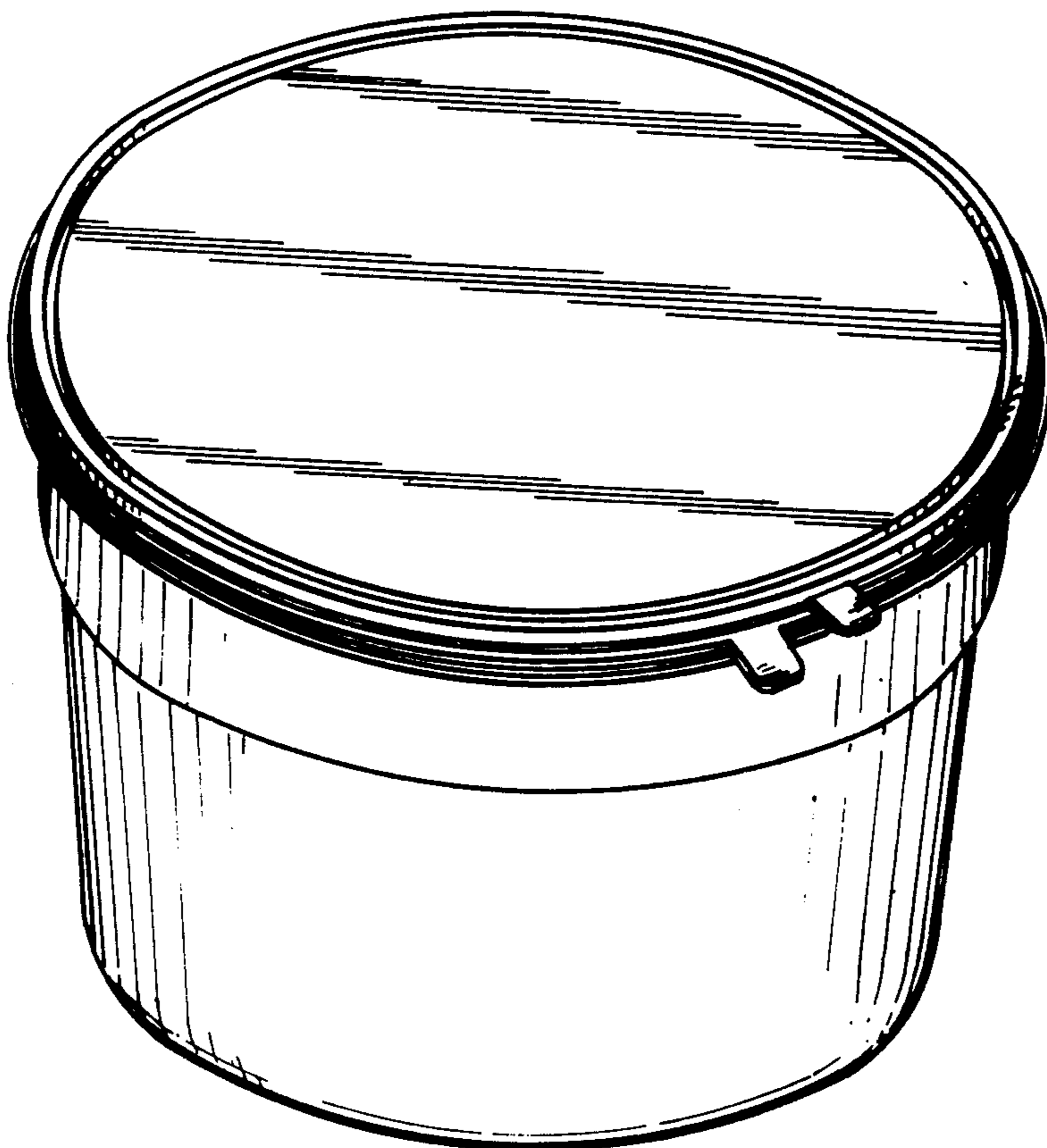


FIG. 1

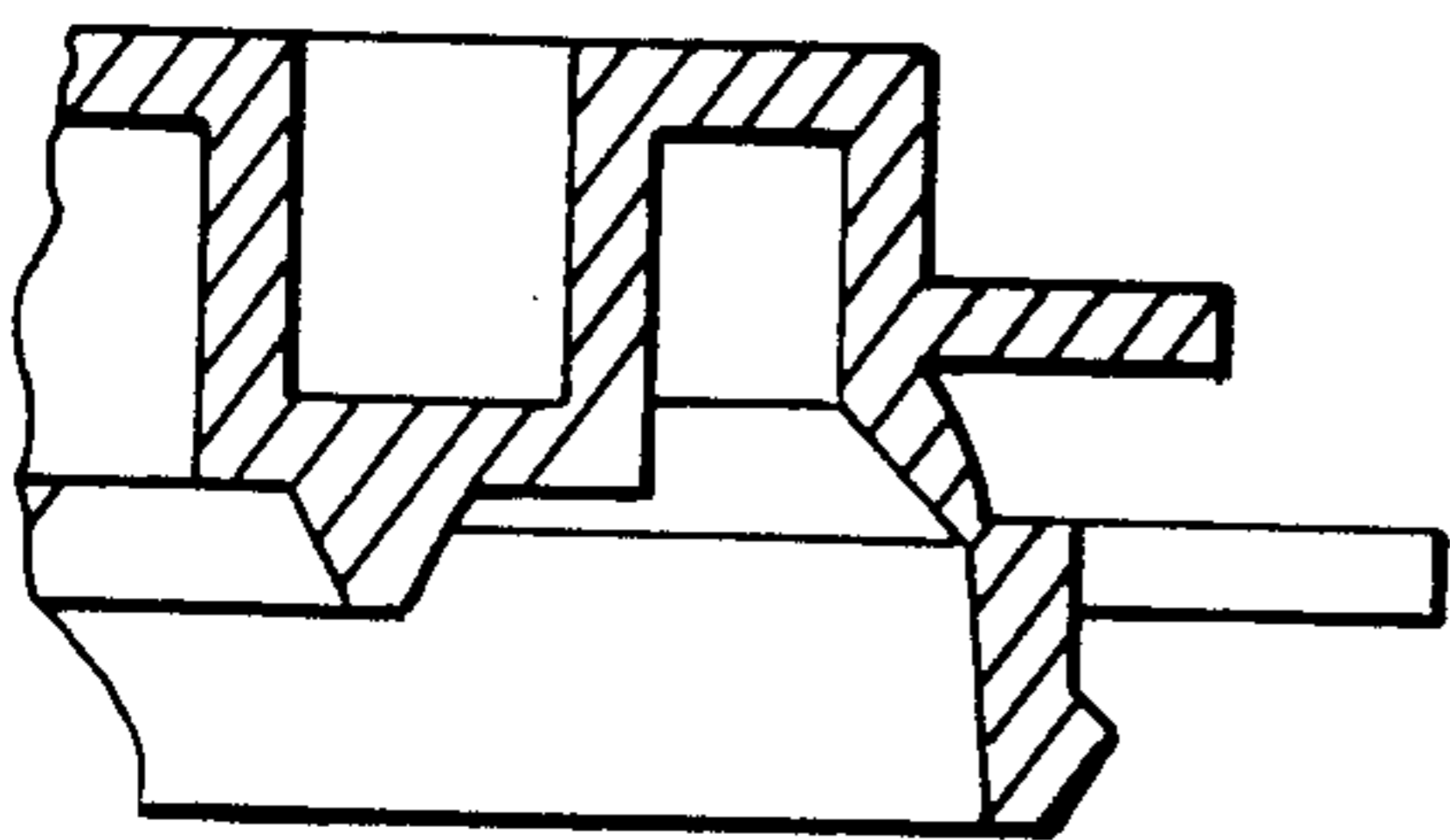
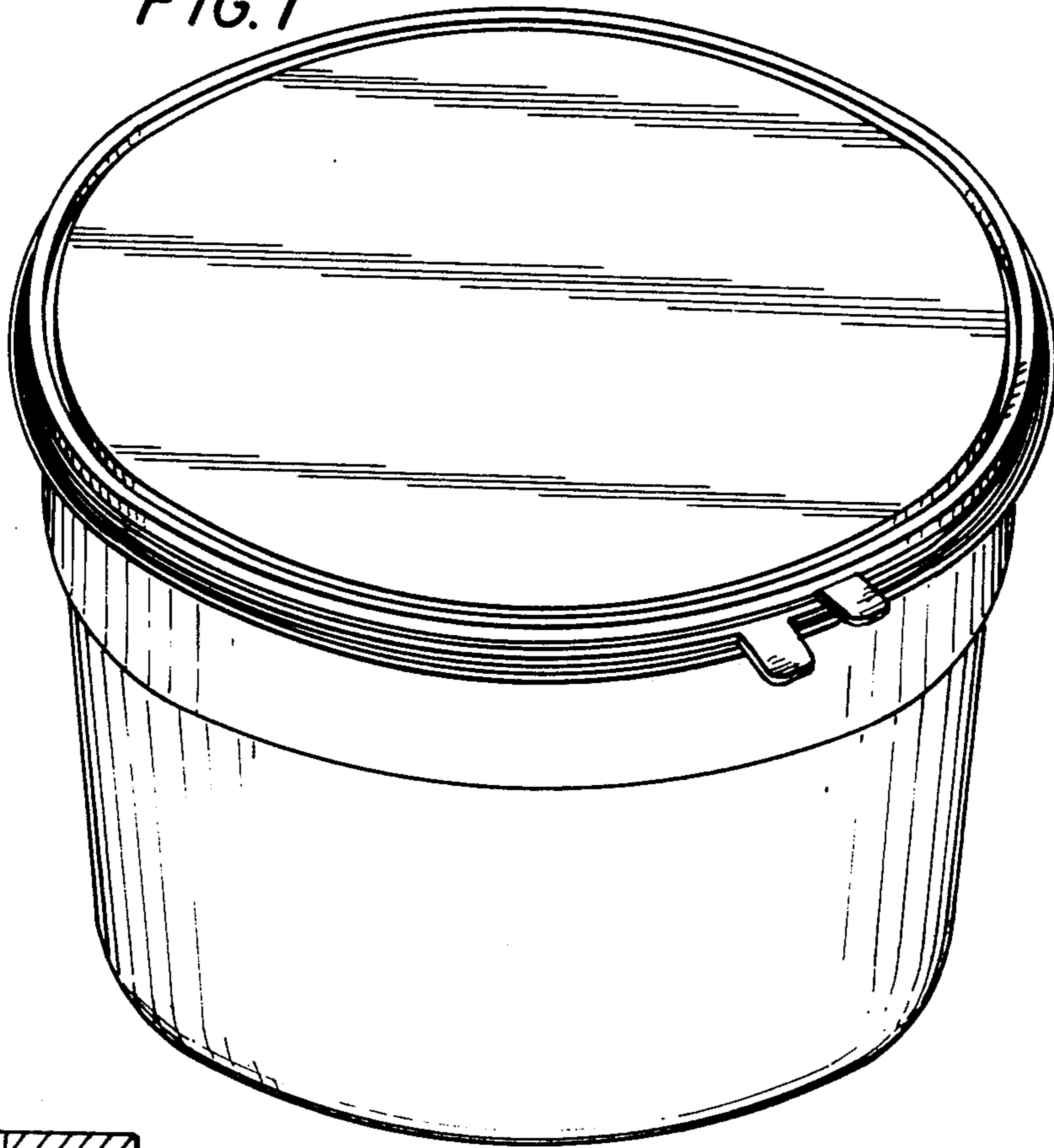


FIG. 7

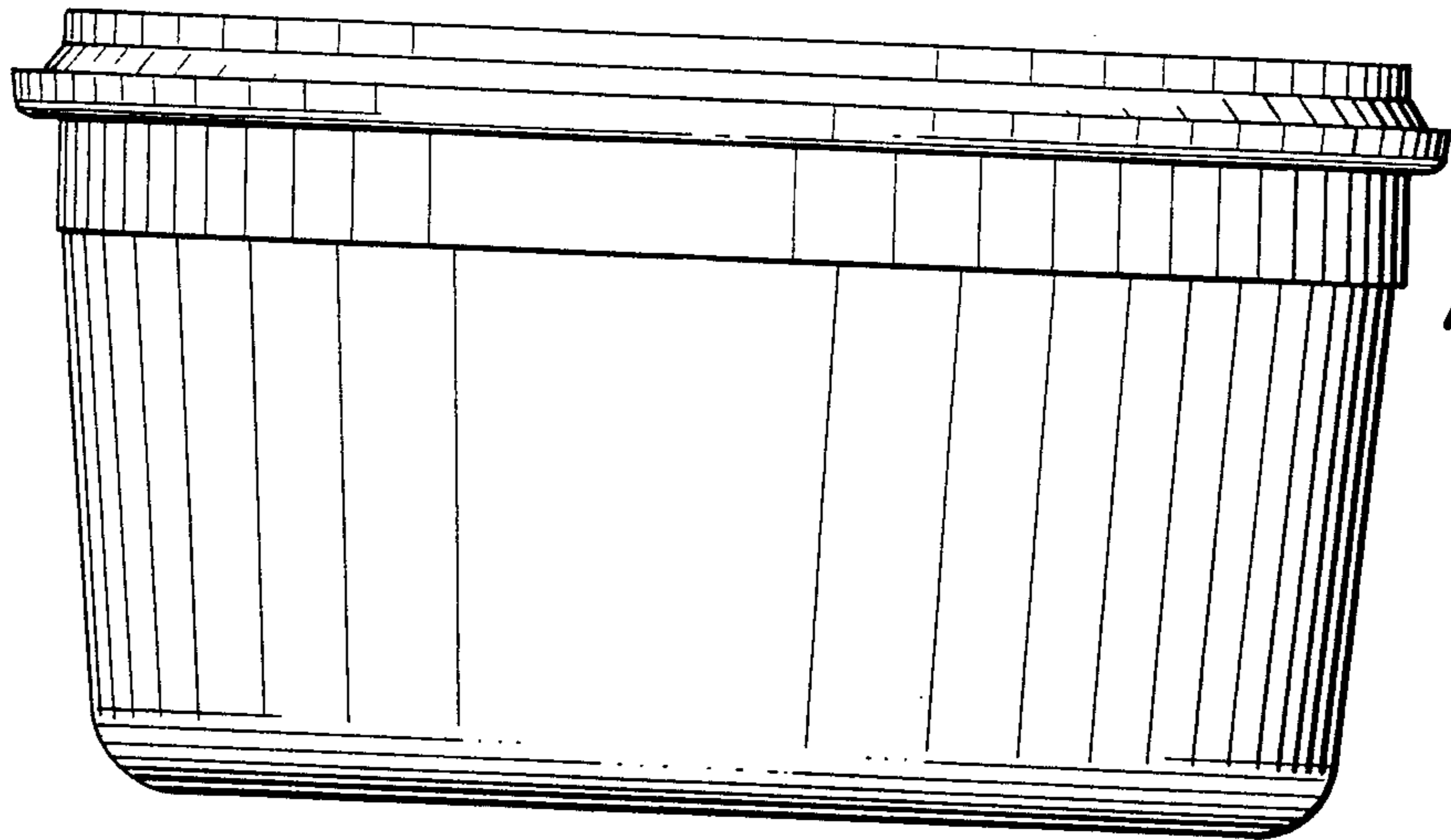


FIG. 2

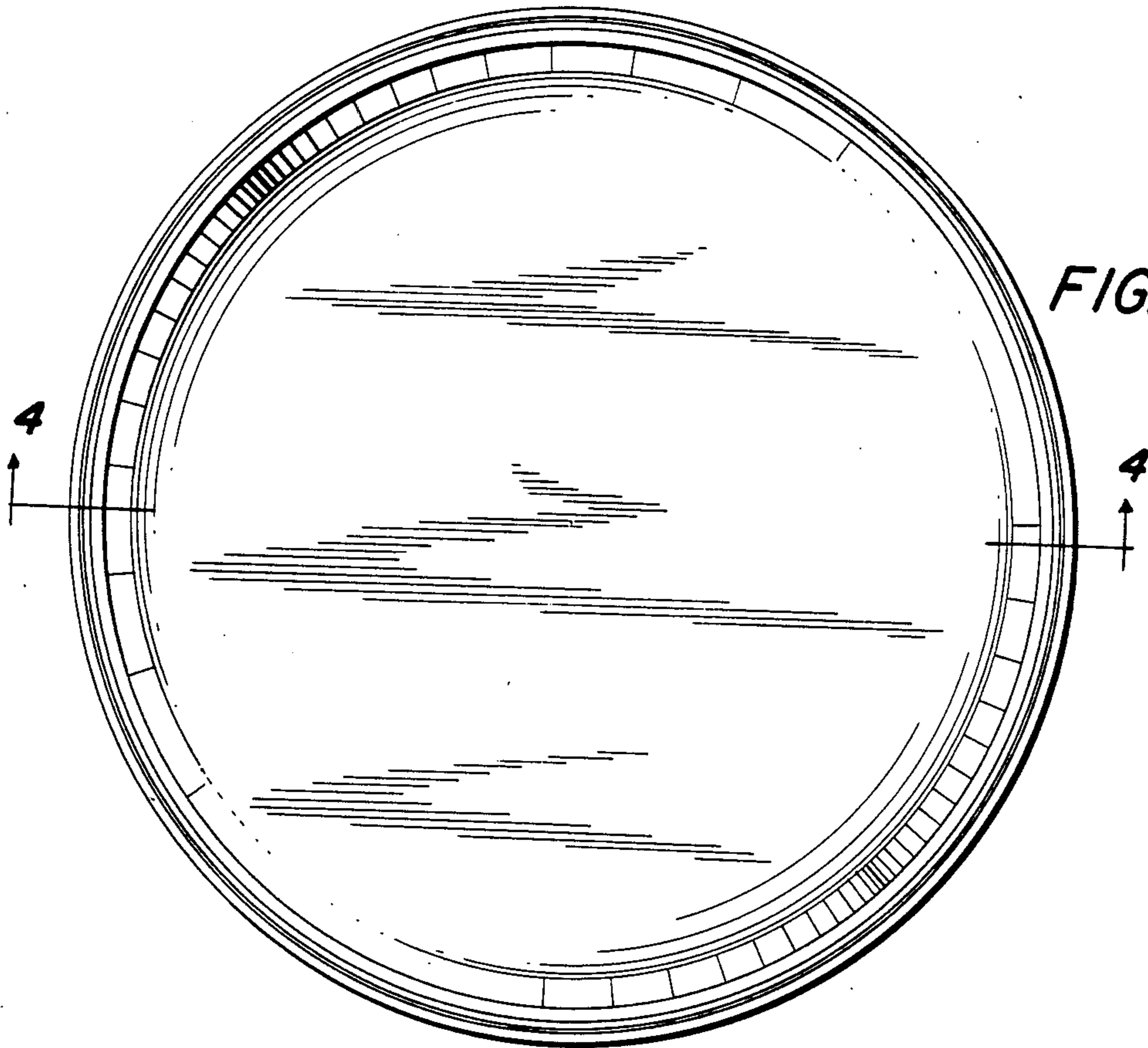


FIG. 3

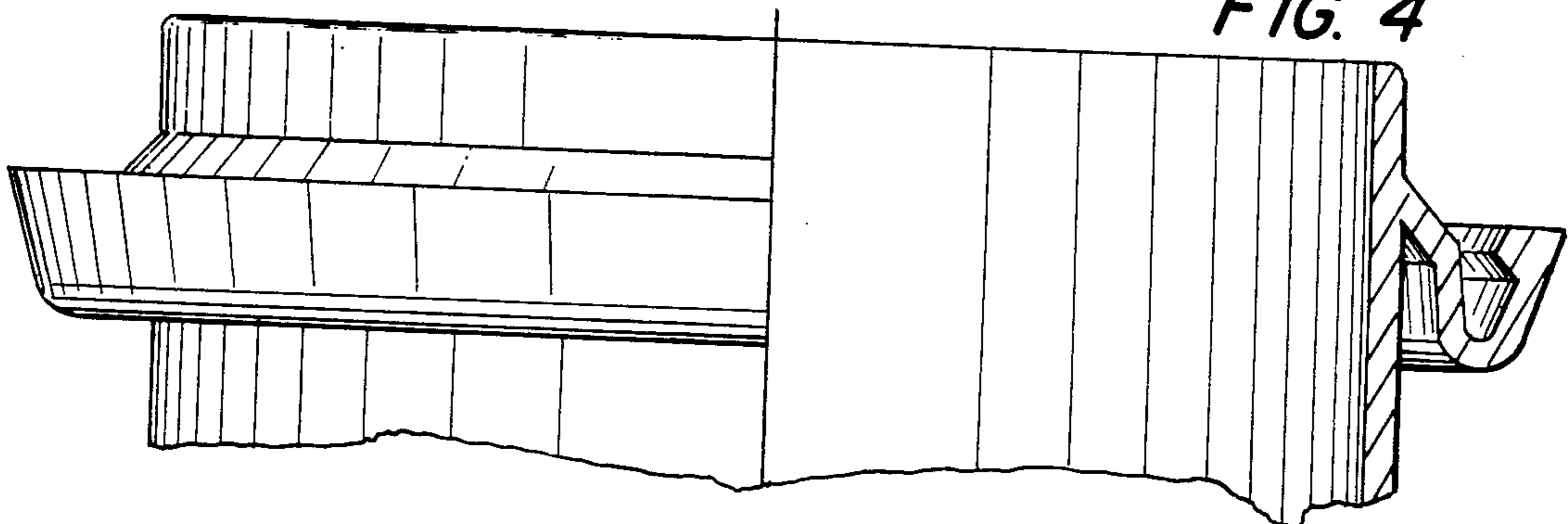


FIG. 4

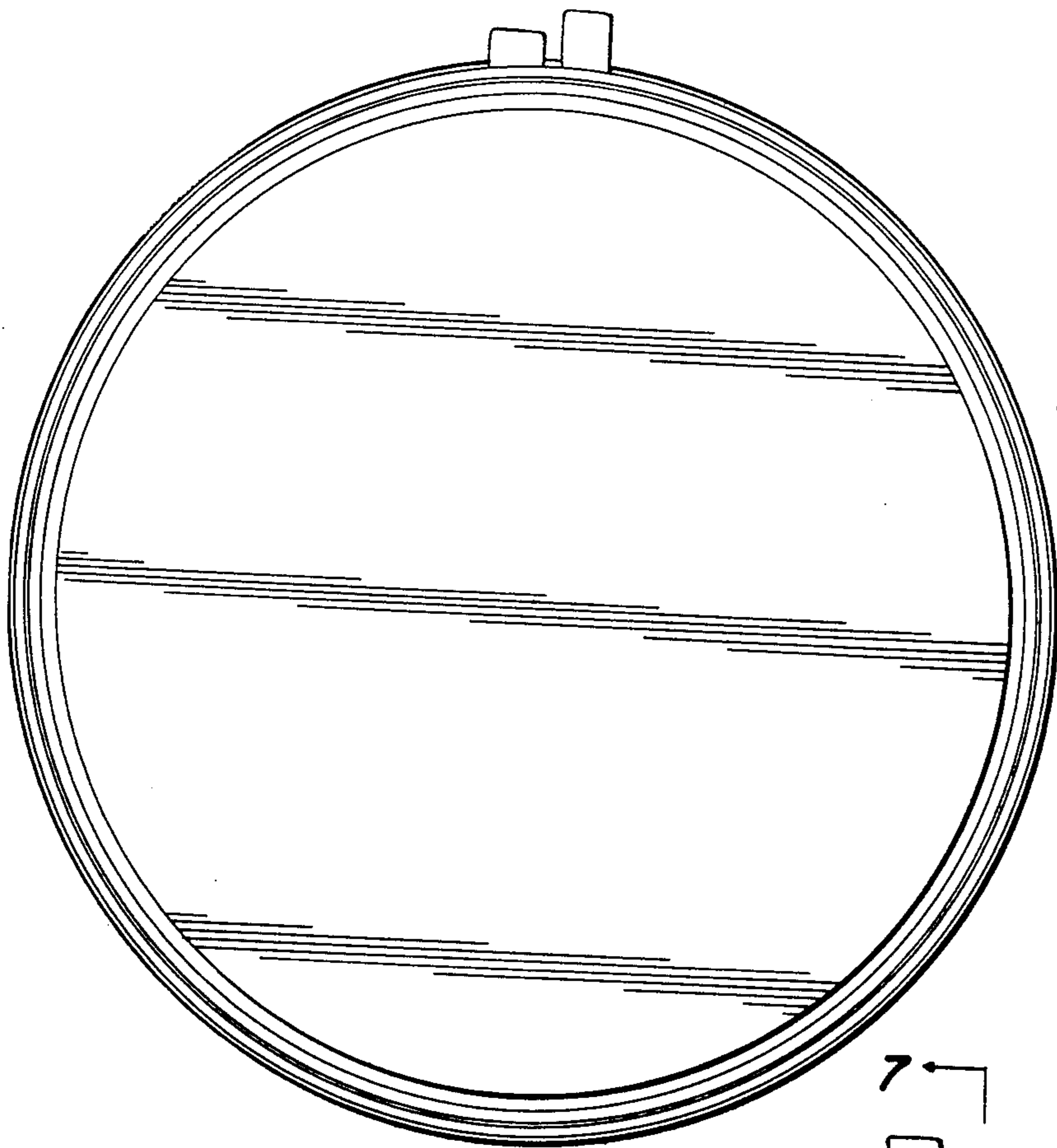


FIG. 5

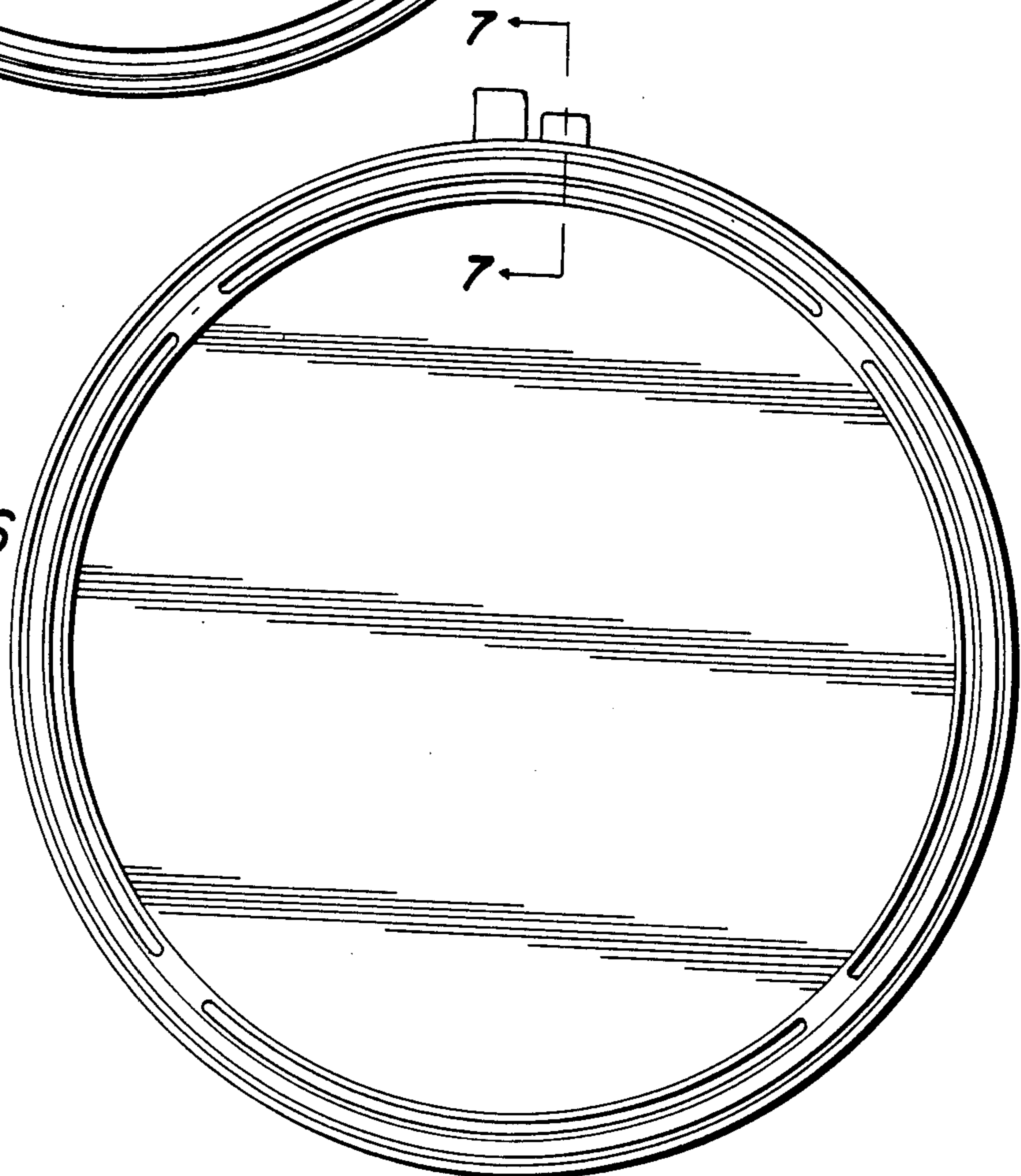


FIG. 6