

[54] DISPENSER FOR RAZOR BLADE CARTRIDGES

[75] Inventor: Clemens A. Iten, Staunton, Va.

[73] Assignee: American Safety Razor Company, Verona, Va.

[\*\*] Term: 14 Years

[21] Appl. No.: 740,775

[22] Filed: Nov. 11, 1976

[51] Int. Cl. .... D9-03

[52] U.S. Cl. .... D9/187

[58] Field of Search ..... D9/184-189; D87/1 D; 206/352, 557-567

[56] References Cited

U.S. PATENT DOCUMENTS

D. 224,997 10/1972 Petrillo ..... D9/187  
D. 226,553 3/1973 Glaberson ..... D9/189

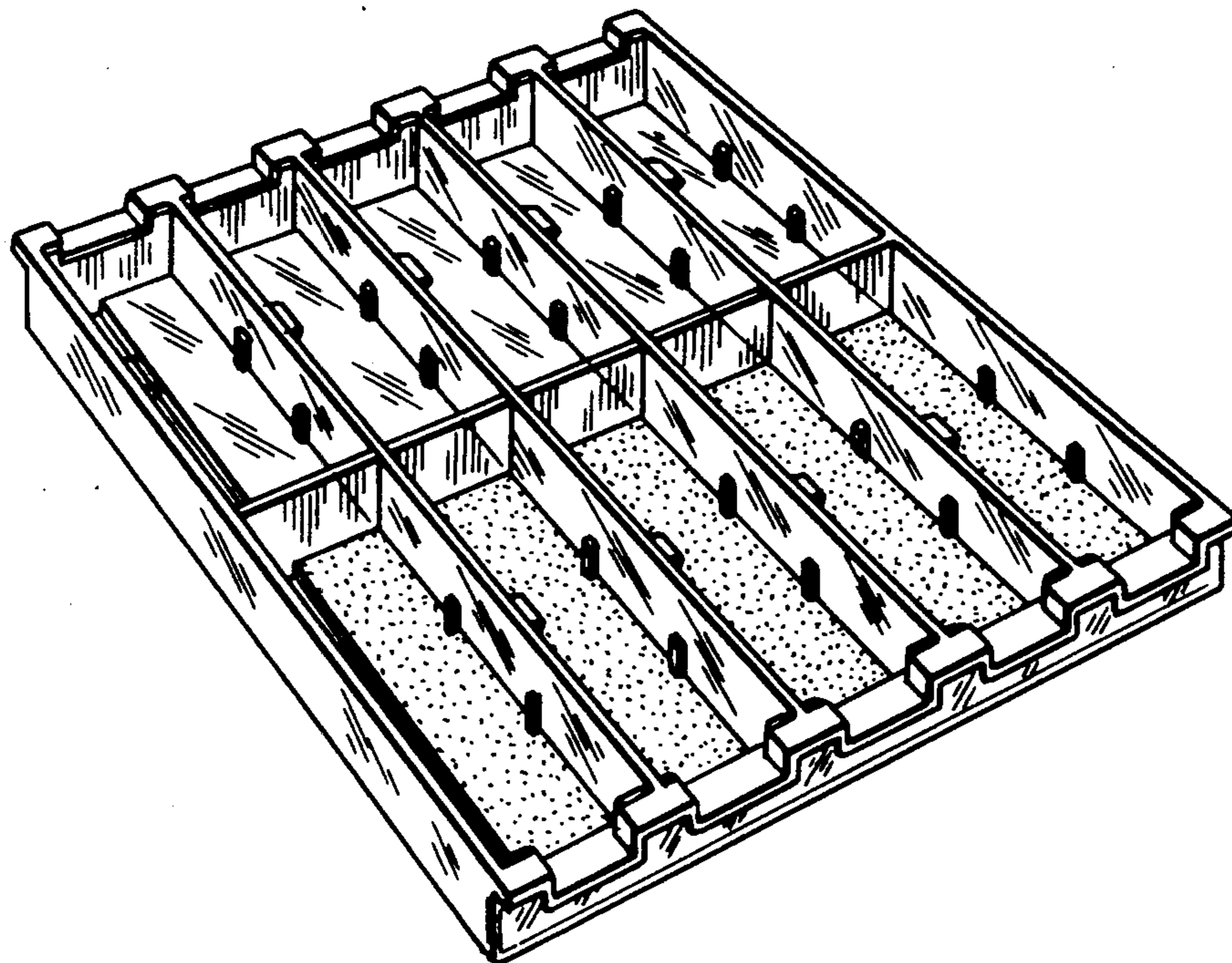
Primary Examiner—Robert C. Spangler  
Attorney, Agent, or Firm—Elmer R. Helferich

[57] CLAIM

The ornamental design for a dispenser for razor blade cartridges, as shown and described.

DESCRIPTION

FIG. 1 is a top perspective view of a dispenser for razor blade cartridges showing my new design; FIG. 2 is a bottom perspective view; FIG. 3 is an end elevational view; FIG. 4 is a side elevational view with the dispenser for razor blade cartridges standing on its end; and FIG. 5 is a top plan view on an enlarged scale.



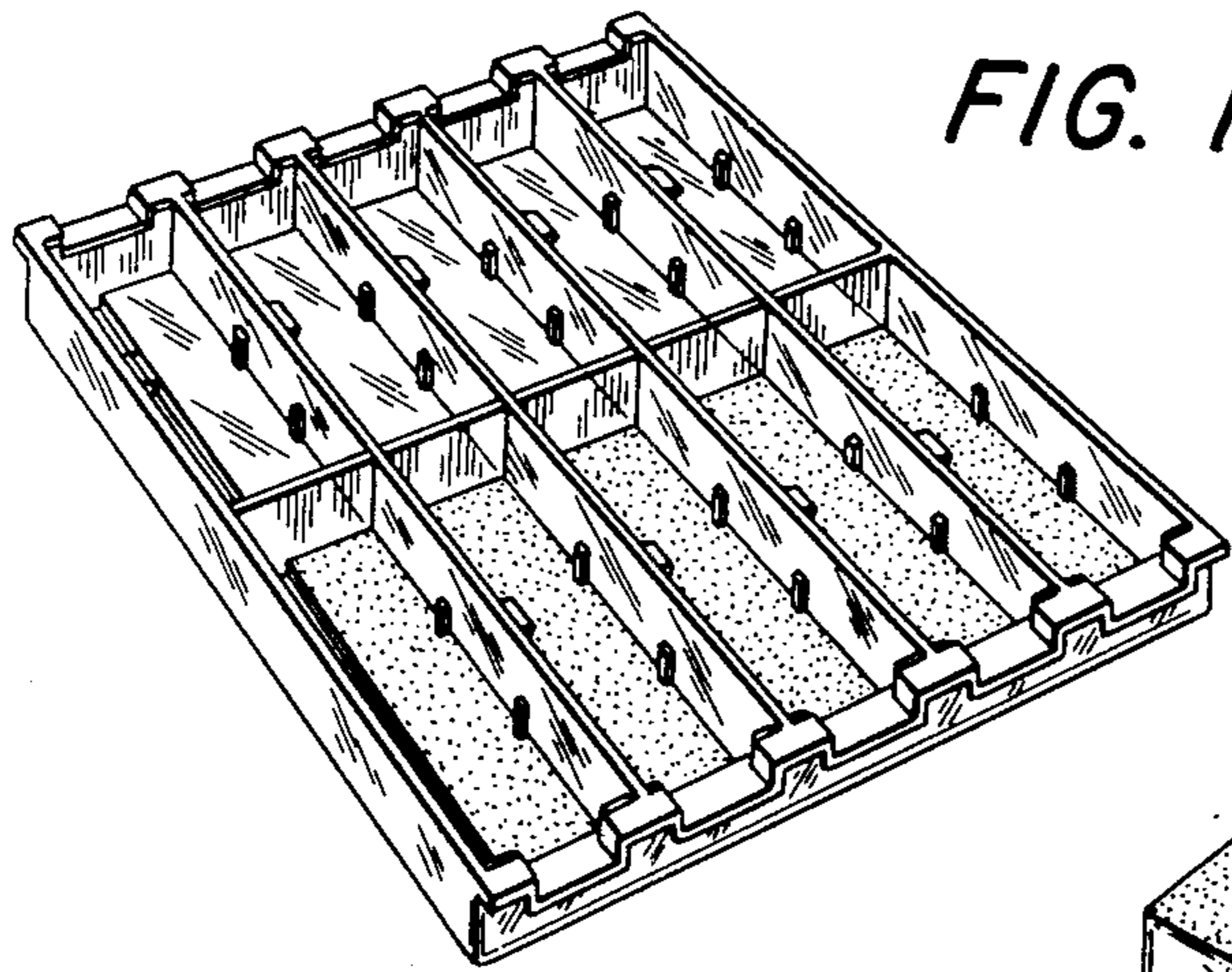


FIG. 1

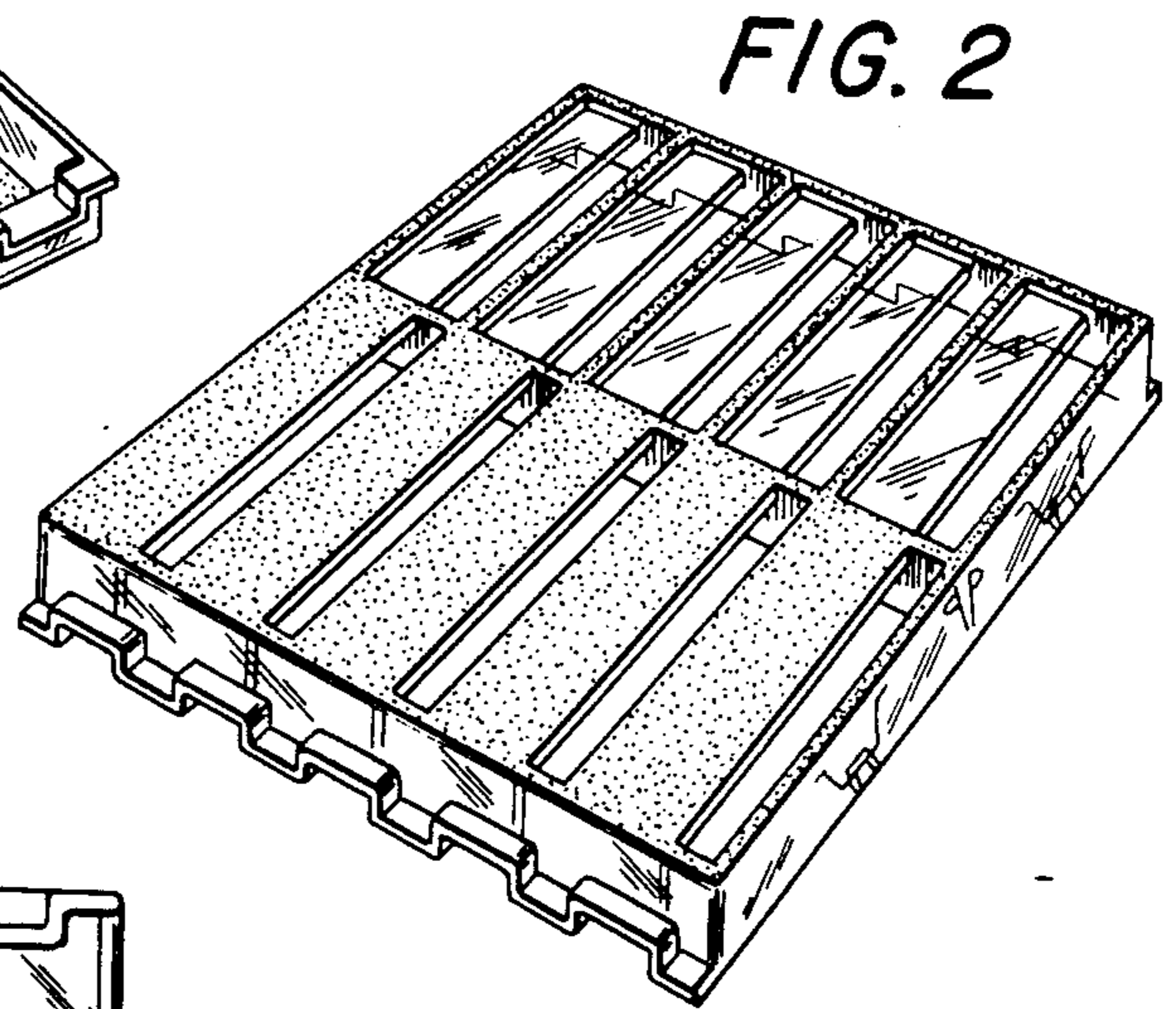


FIG. 2

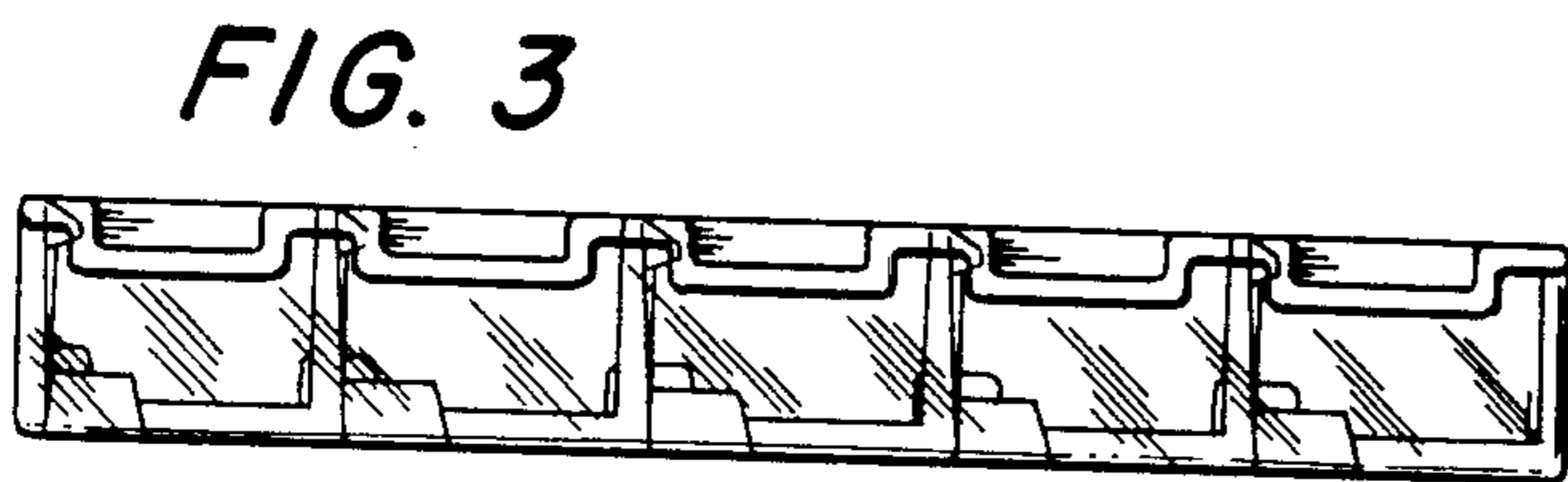


FIG. 3

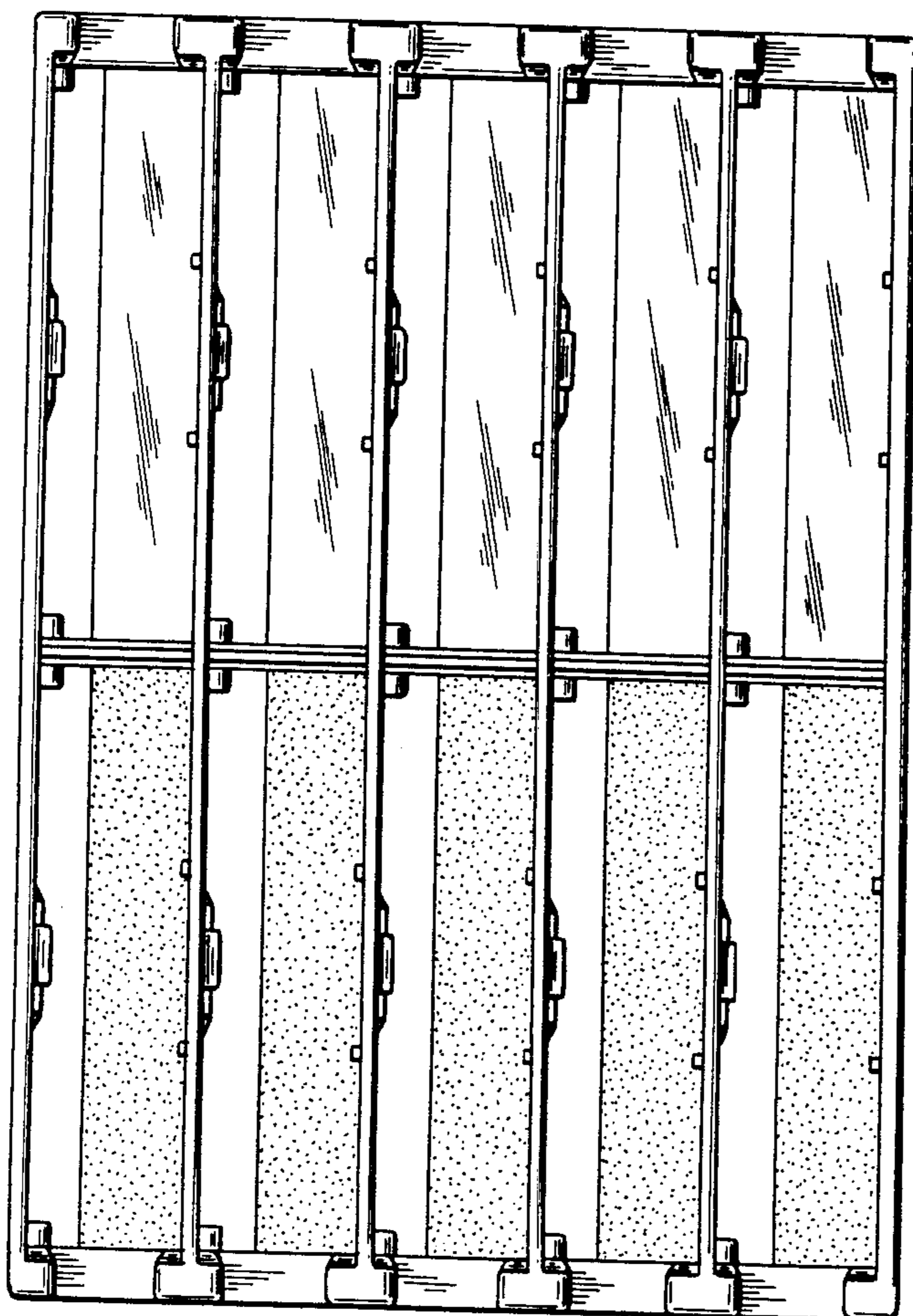


FIG. 5

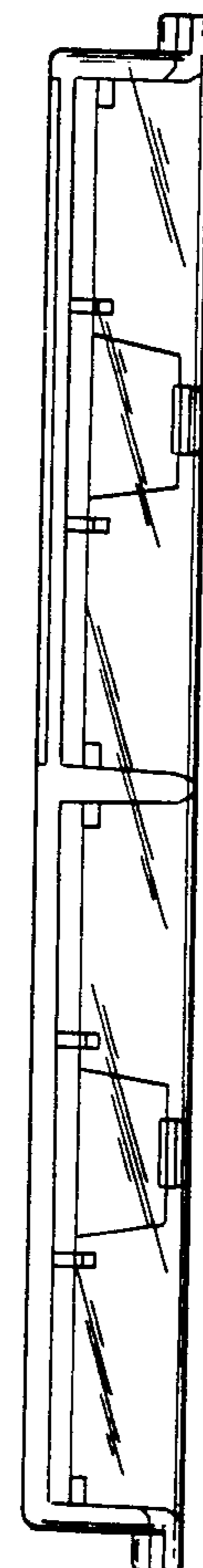


FIG. 4