

[54] ROTARY LAWN EDGER, TRIMMER OR SIMILAR ARTICLE

[75] Inventor: George C. Ballas, Houston, Tex.

[73] Assignee: Weed Eater, Inc.

[**] Term: 14 Years

[21] Appl. No.: 717,504

[22] Filed: Aug. 24, 1976

[51] Int. Cl. D8-03

[52] U.S. Cl. D8/8

[58] Field of Search D8/8; 172/13, 15, 16, 172/18; 30/264, 276, 347, DIG. 1, DIG. 5

[56] References Cited

U.S. PATENT DOCUMENTS

D. 219,006	10/1970	Gale et al.	D8/8
D. 221,507	8/1971	Bunyea	D8/8
3,959,879	6/1976	Sellers	30/276
4,047,299	9/1977	Bair	30/276

OTHER PUBLICATIONS

Hardware Age, 8/75, p. 184, Lawn Trimmer, top left side of page.

Primary Examiner—Wallace R. Burke

Assistant Examiner—James M. Gandy

Attorney, Agent, or Firm—Edmund F. Bard

[57] CLAIM

The ornamental design for a rotary lawn edger, trimmer or similar article, substantially as shown and described.

DESCRIPTION

FIG. 1 is a side elevational view of a rotary lawn edger, trimmer or similar article embodying my new design;

FIG. 2 is a front elevational view thereof;

FIG. 3 is a top plan view thereof;

FIG. 4 is a bottom plan view thereof; and

FIG. 5 is an isometric view thereof.

The handle has been omitted in FIGS. 3 and 4 for convenience of illustration.

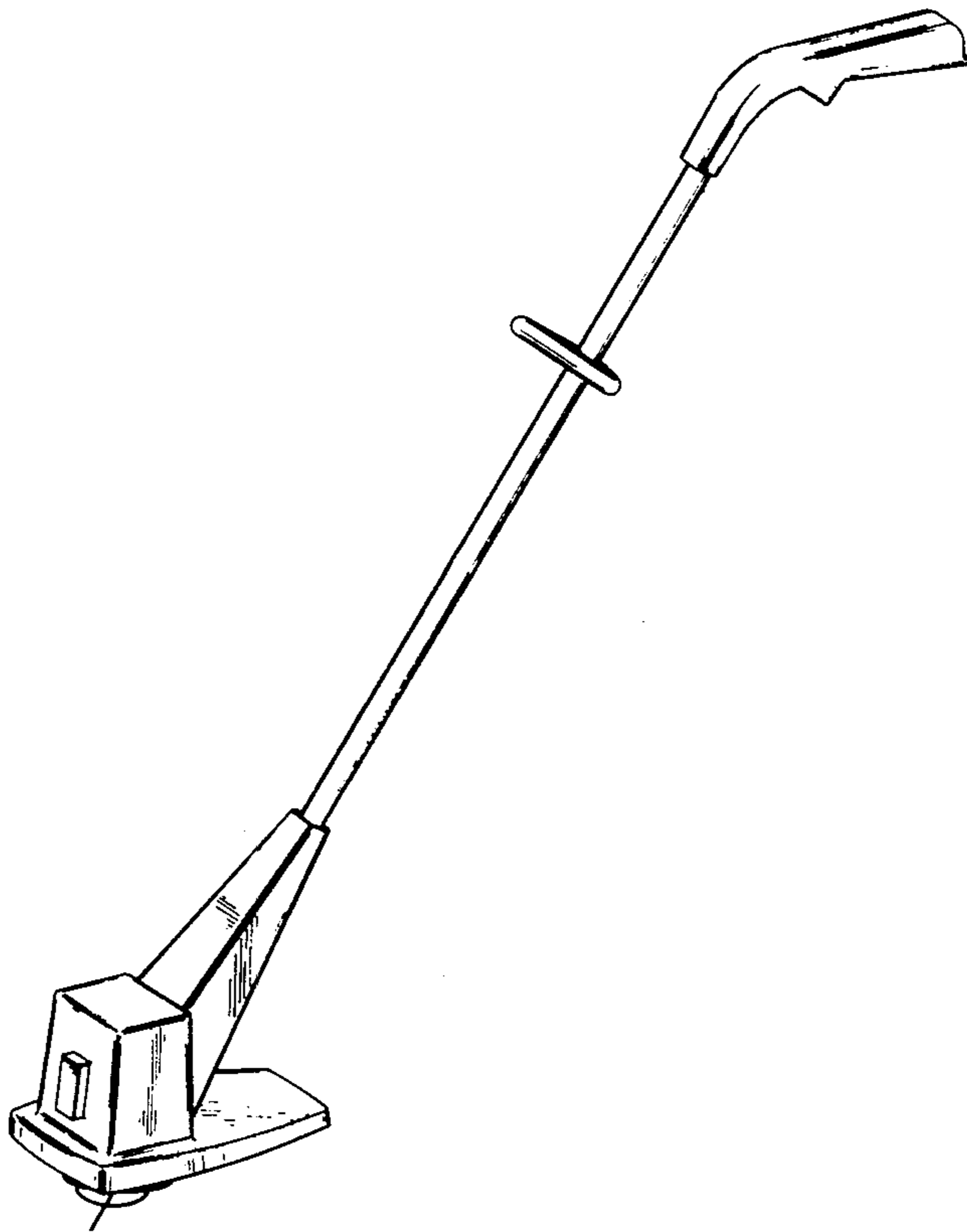


FIG. 1

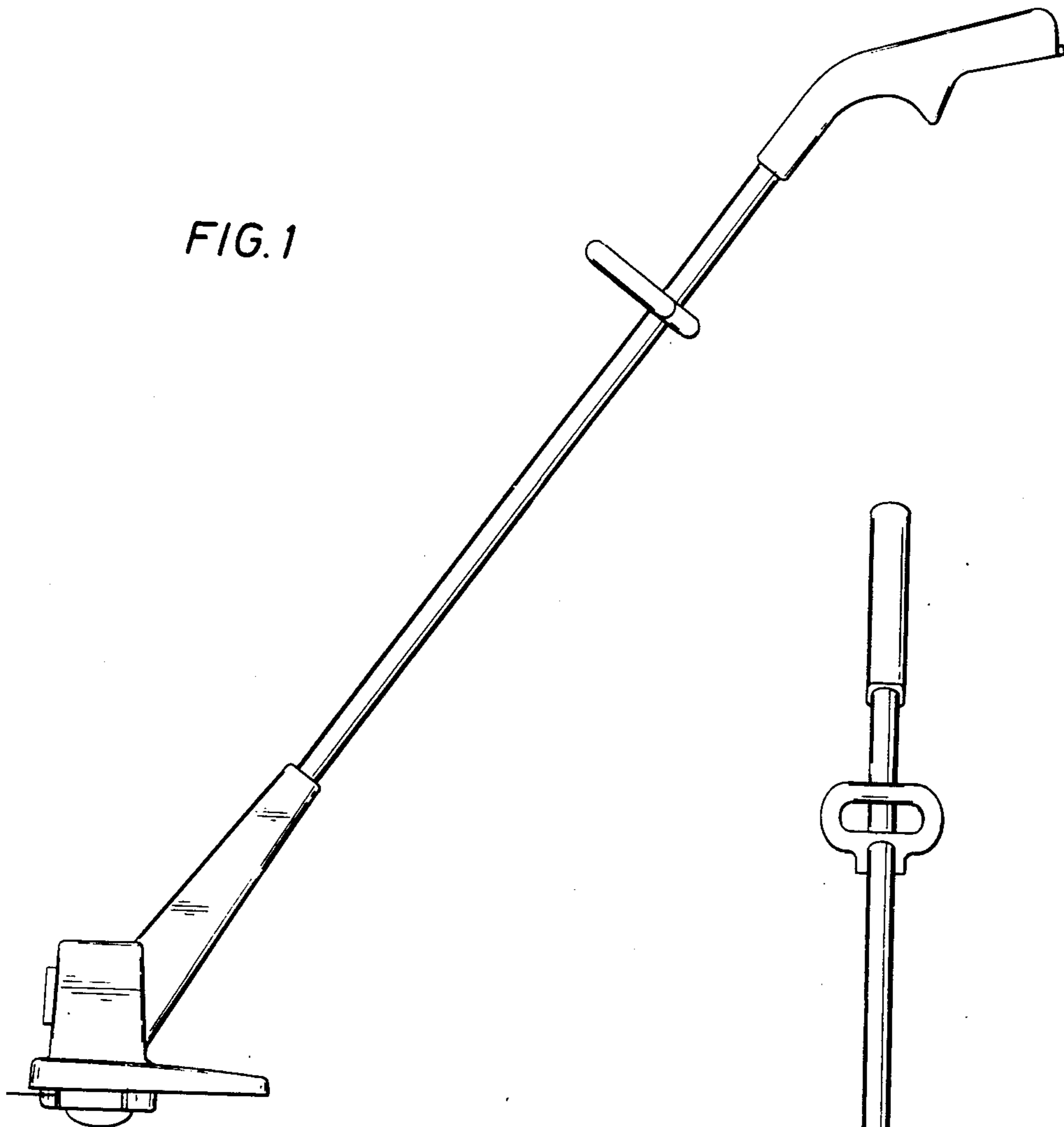
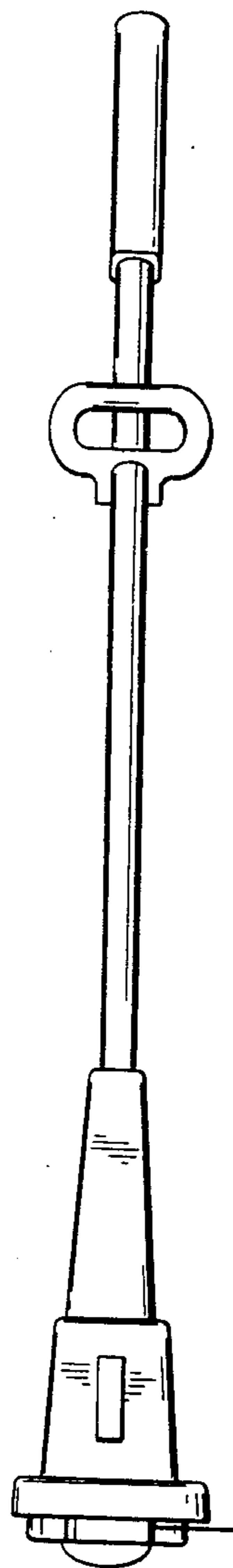


FIG. 2



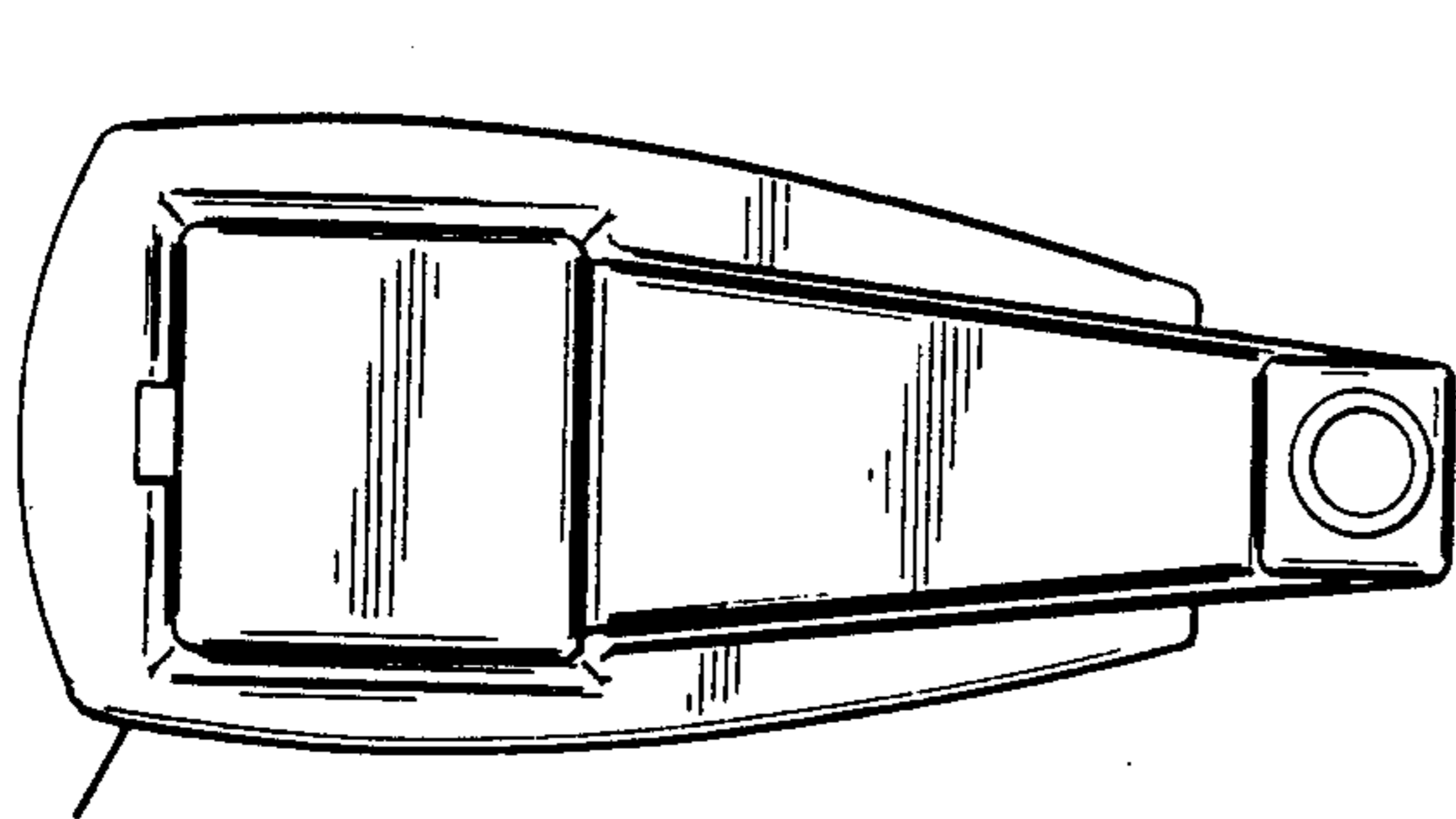


FIG. 3

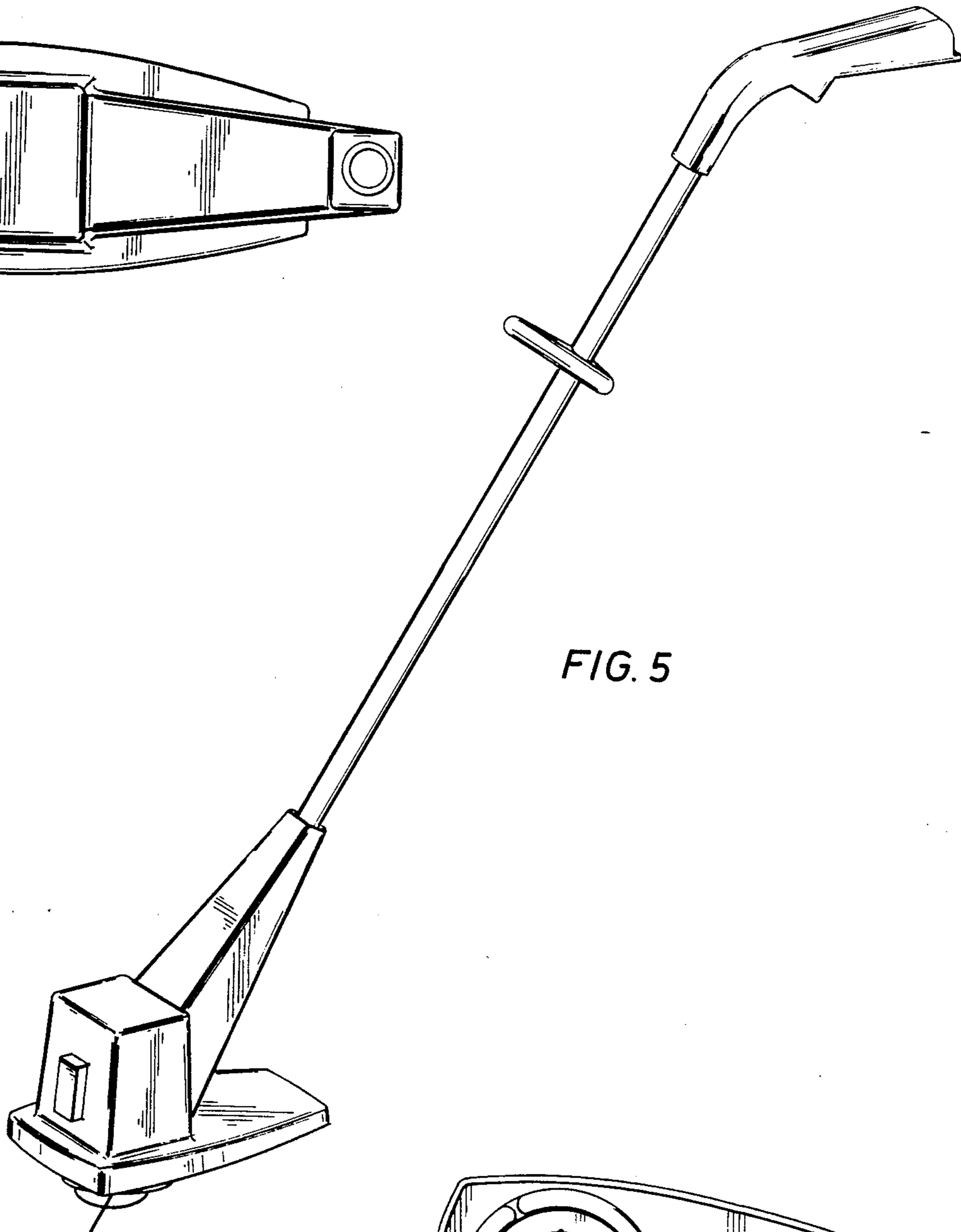


FIG. 5

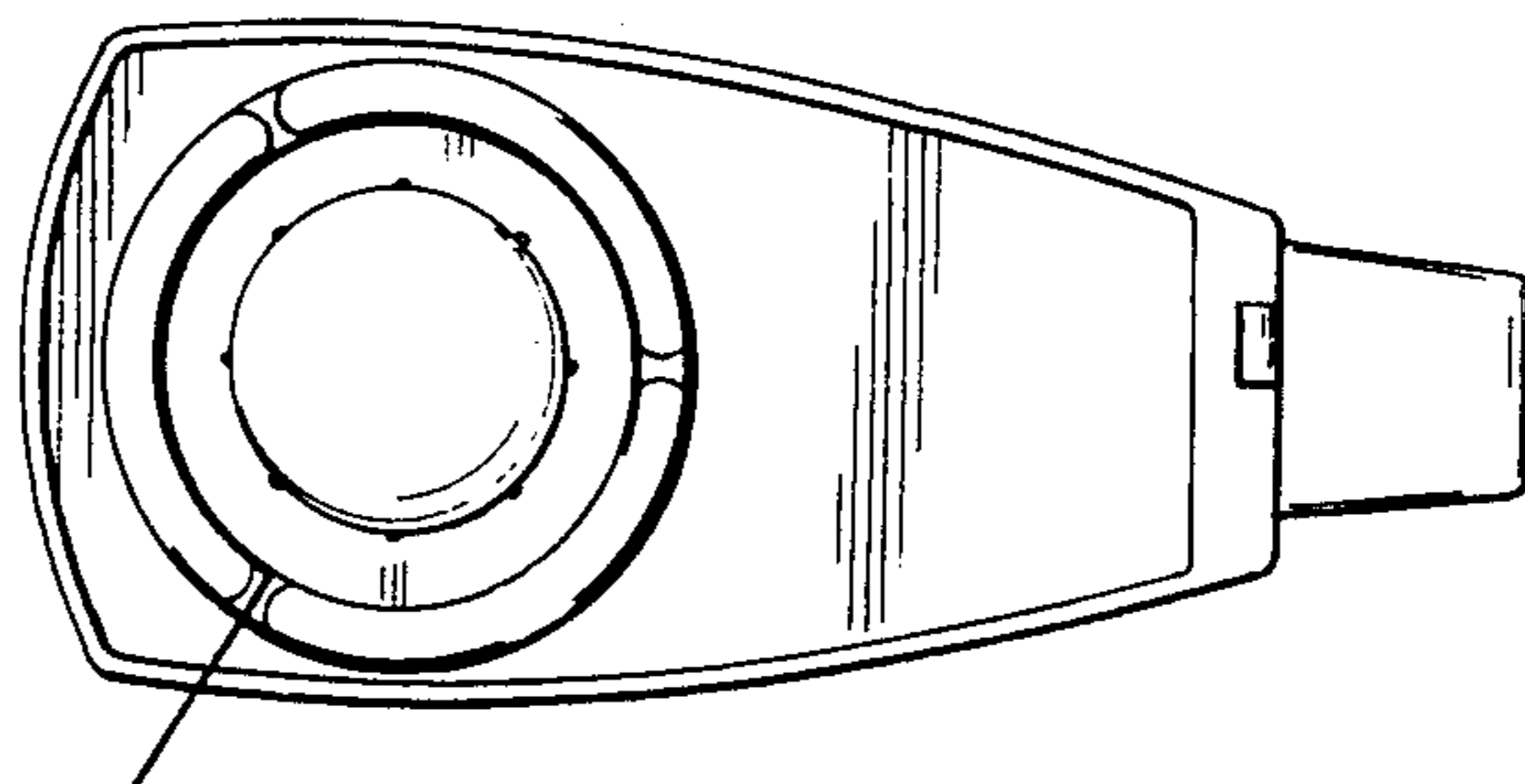


FIG. 4