

[54] FOLDING CONTROL HANDLE FOR LAWN AND GARDEN IMPLEMENT

[75] Inventor: Walter H. Droegemuller, Arlington Heights, Ill.

[73] Assignee: The Toro Company, Minneapolis, Minn.

[**] Term: 14 Years

[21] Appl. No.: 769,019

[22] Filed: Feb. 16, 1977

[51] Int. Cl. D8-05

[52] U.S. Cl. D8/1

[58] Field of Search D15/12, 18, 28; D8/5-8, 1; 16/110 R, 111 R, 111 A, 112, 114 R, 125

[56] References Cited

U.S. PATENT DOCUMENTS

2,096,940 10/1937 Platt 16/110 R

OTHER PUBLICATIONS

Hardware Age, 4/76, p. 159, Auxiliary Handle on Edger-Trimmer, upper left side of page.

Primary Examiner—Wallace R. Burke
Assistant Examiner—James M. Gandy
Attorney, Agent, or Firm—Vernon A. Johnson

[57] CLAIM

The ornamental design for a folding control handle for lawn and garden implement, as shown.

DESCRIPTION

FIG. 1 is a perspective view of a folding control handle for lawn and garden implement embodying my new design;

FIG. 2 is a top plan view thereof;

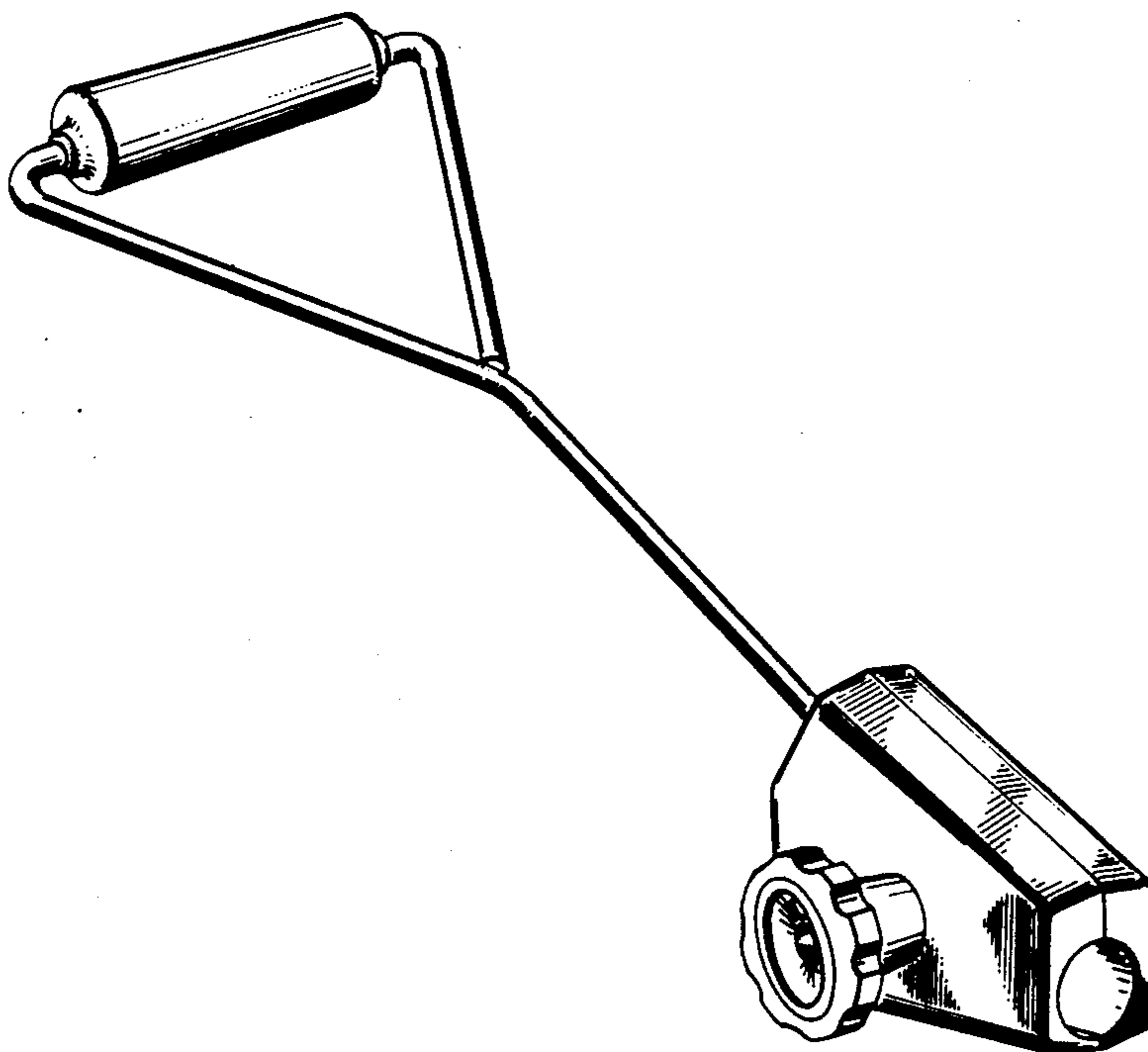
FIG. 3 is a front elevational view thereof;

FIG. 4 is a left side elevational view thereof;

FIG. 5 is a right side elevational view thereof;

FIG. 6 is a bottom plan view thereof; and

FIG. 7 is a rear elevational view thereof.



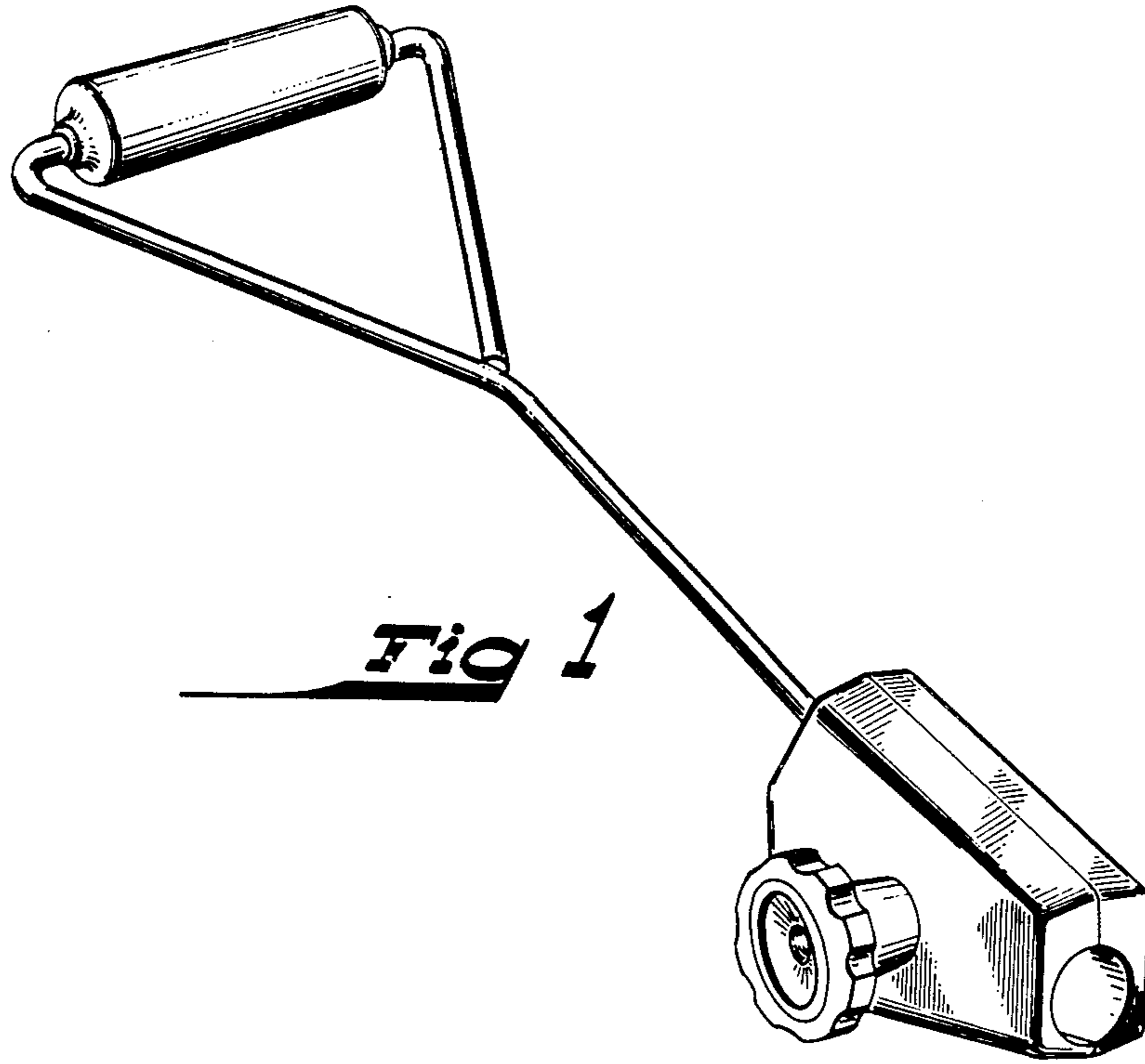


Fig 1

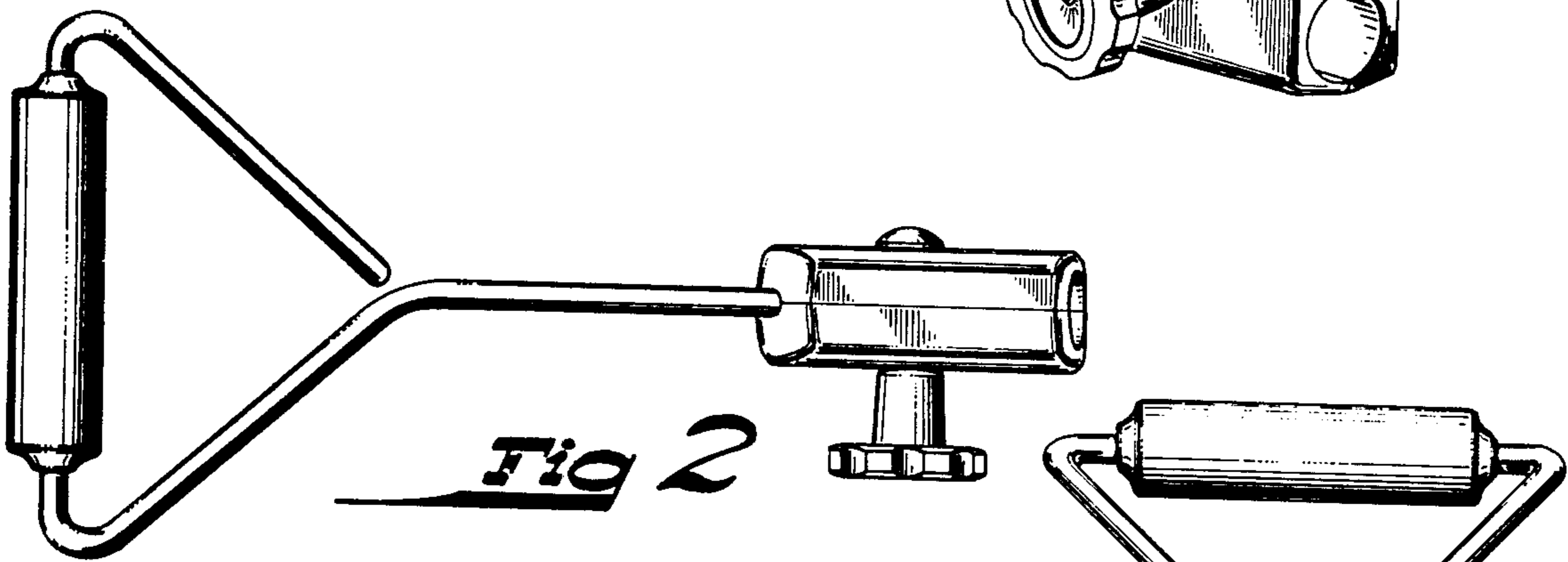


Fig 2

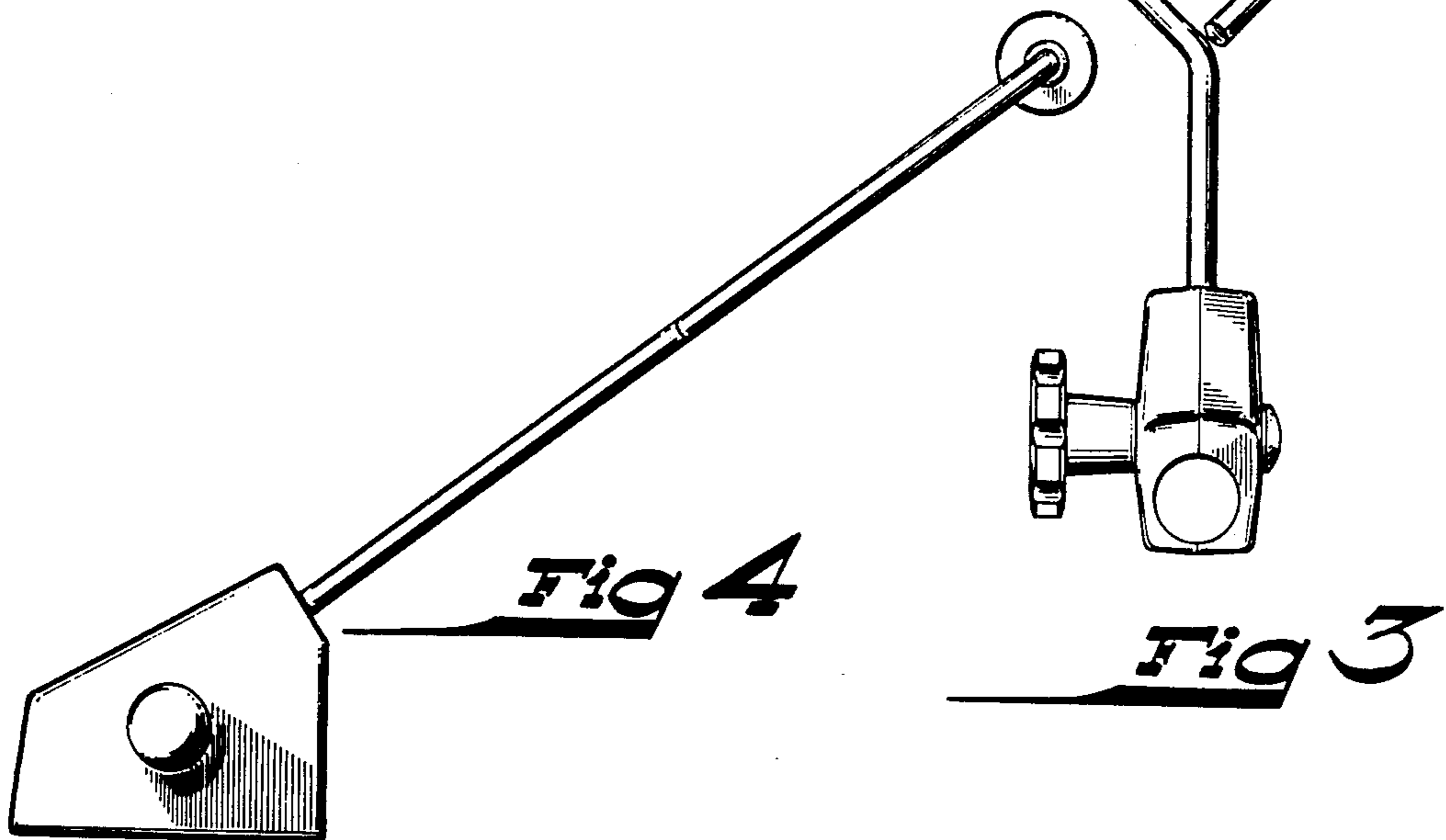


Fig 4

Fig 3

