

[54] HOUSING FOR PLANT TURNTABLE

[76] Inventor: Robert F. Levine, 13107 Mindino Way, Marina Del Rey, Calif. 90291

[**] Term: 14 Years

[21] Appl. No.: 735,674

[22] Filed: Oct. 26, 1976

[51] Int. Cl. D6-06
[52] U.S. Cl. D8/1; D6/183
[58] Field of Search D8/1; 47/39, 71; 248/131, 349; D6/181, 182-183; D96/1, 2; D11/164

[56]

References Cited

U.S. PATENT DOCUMENTS

D. 191,809	11/1961	Robbins	D6/181
3,360,885	1/1968	St. Clair	47/39
3,479,632	11/1969	Galles	248/349
4,026,067	5/1977	Wengel	47/71

Primary Examiner—Wallace R. Burke
Assistant Examiner—B. J. Bullock
Attorney, Agent, or Firm—Gary E. Lande

[57]

CLAIM

The ornamental design for a housing for plant turntable, as shown and described.

DESCRIPTION

FIG. 1 is a top frontal perspective view of a housing for plant turntable showing my new design;
FIG. 2 is a bottom rear perspective view thereof;
FIG. 3 is a top plan view thereof;
FIG. 4 is a side elevational view thereof;
FIG. 5 is a bottom plan view thereof.

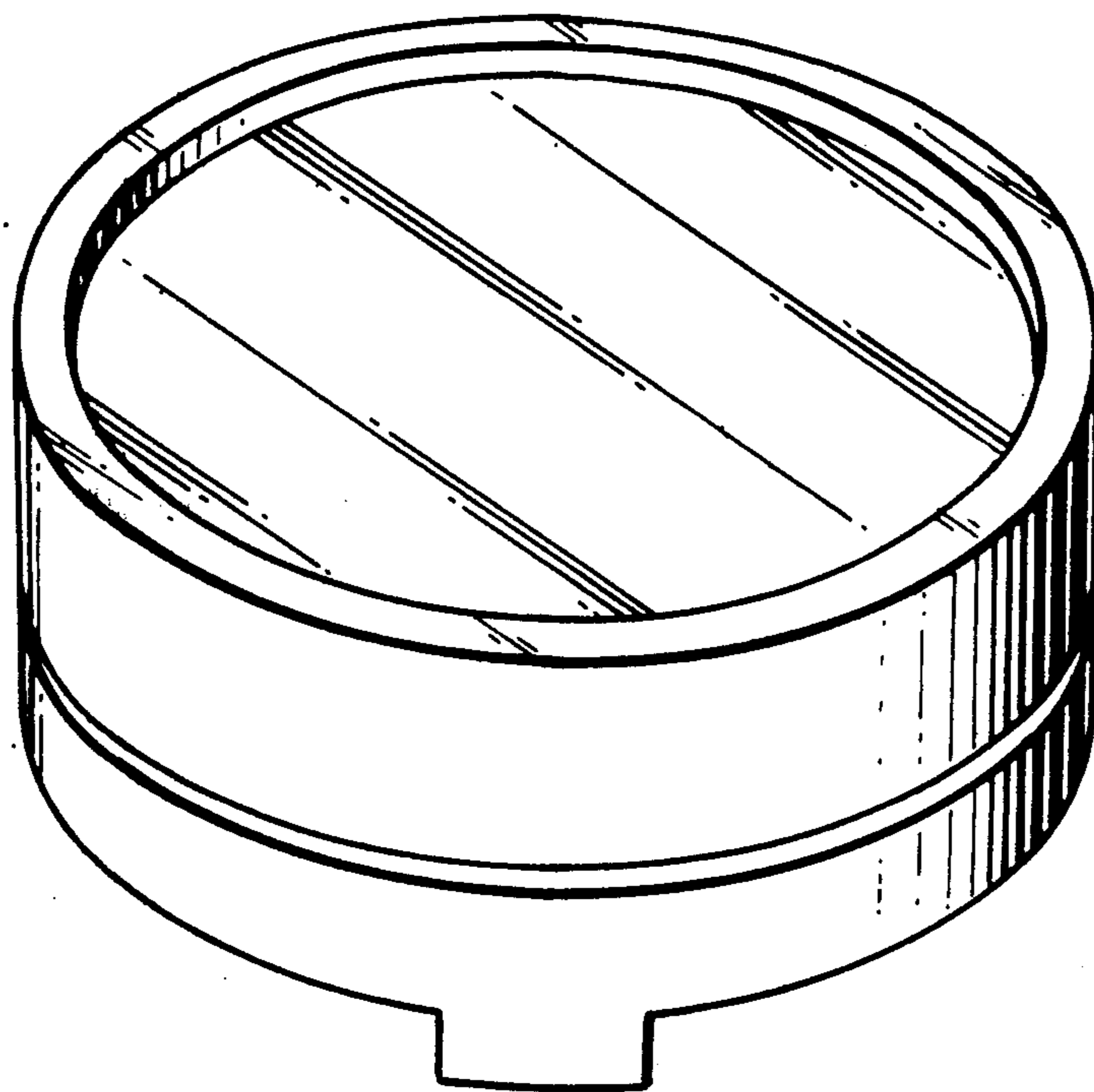


Fig. 1.

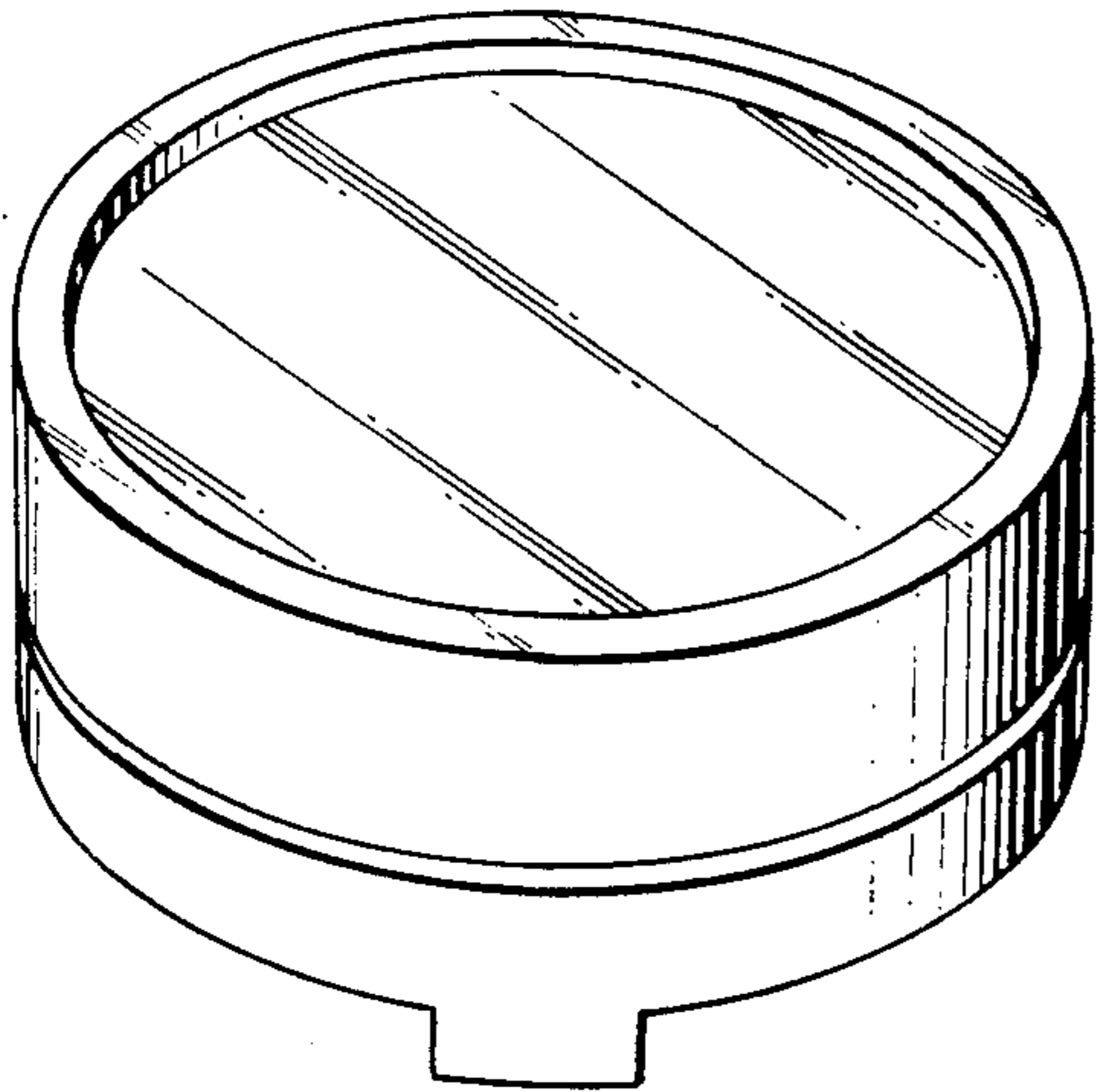


Fig. 3.

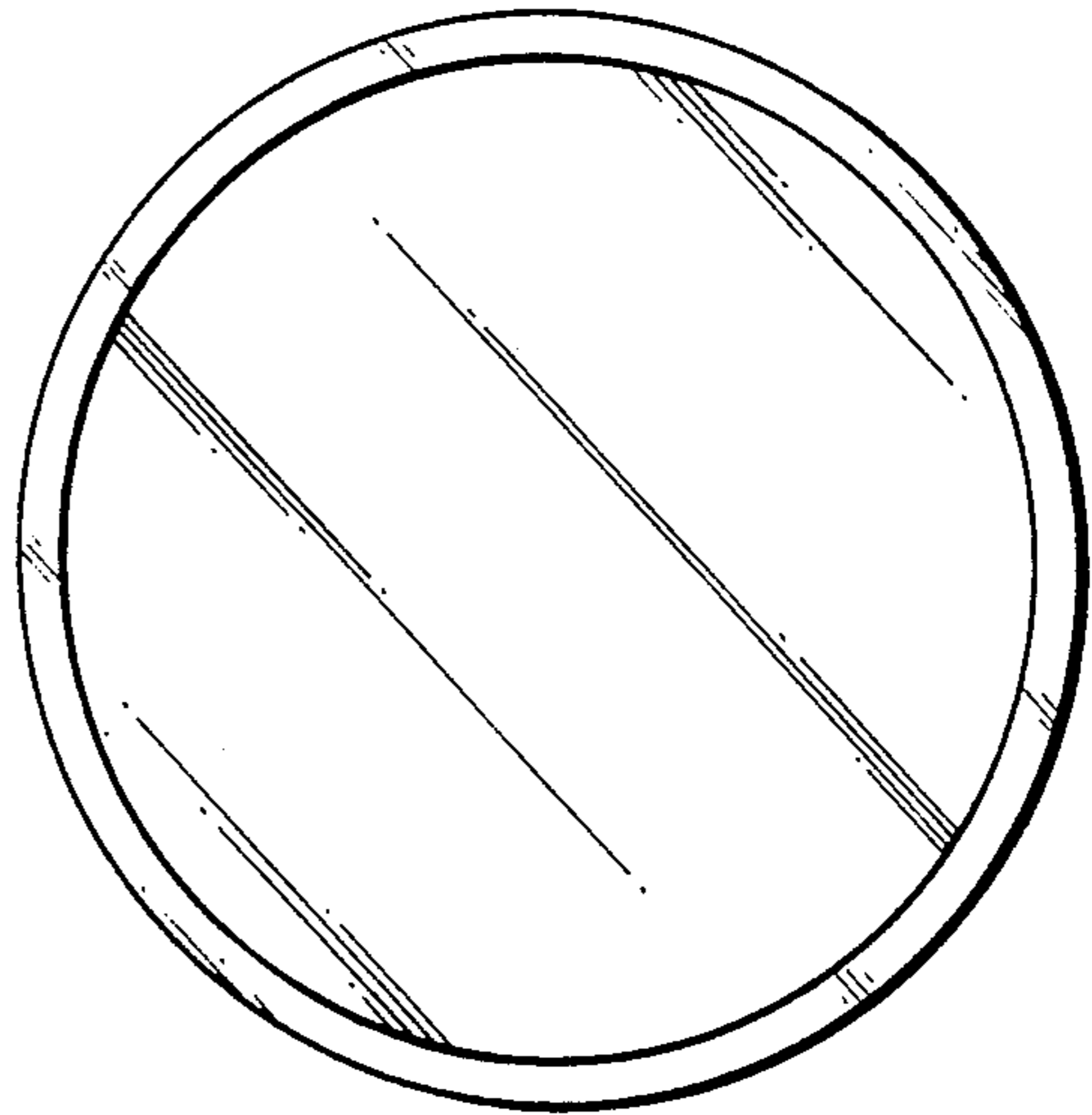


Fig. 4.

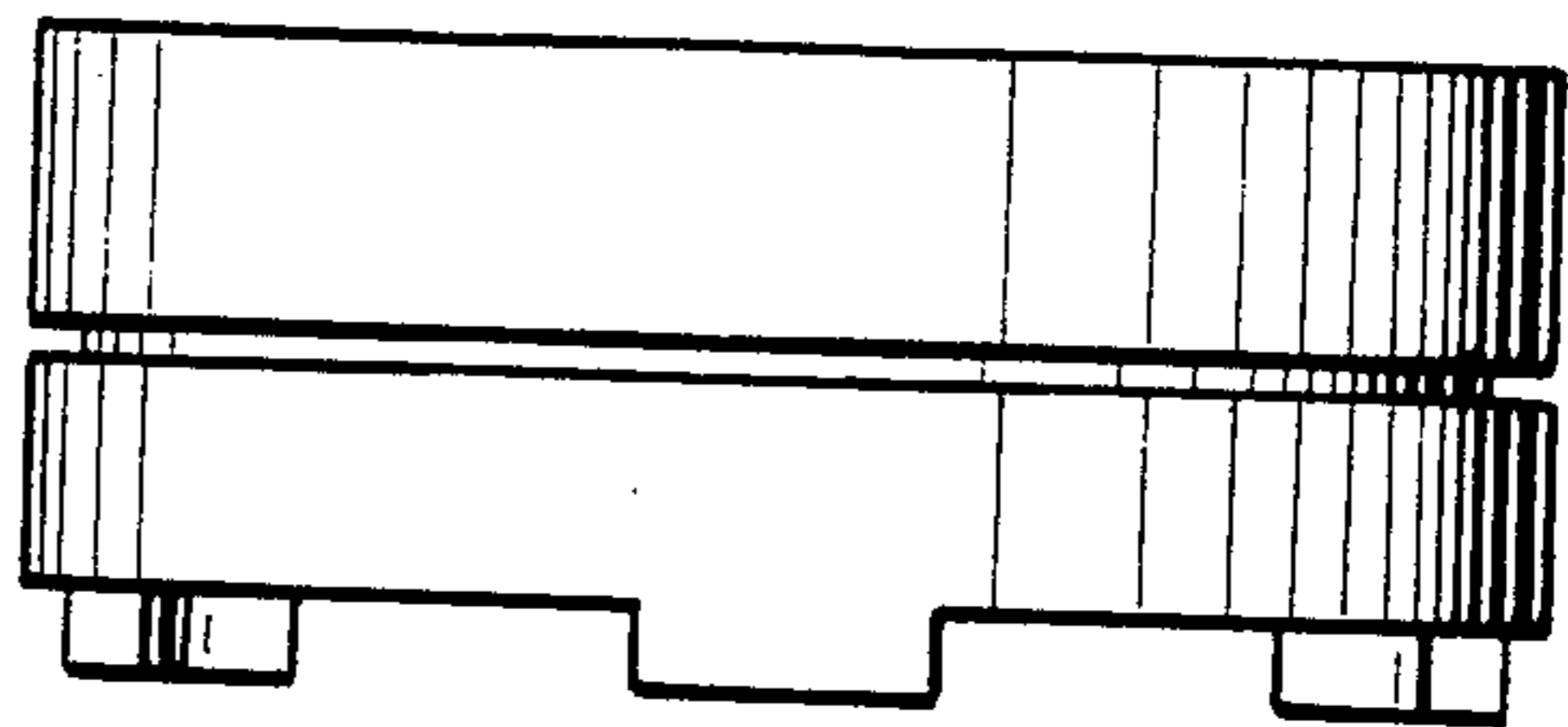


Fig. 2.

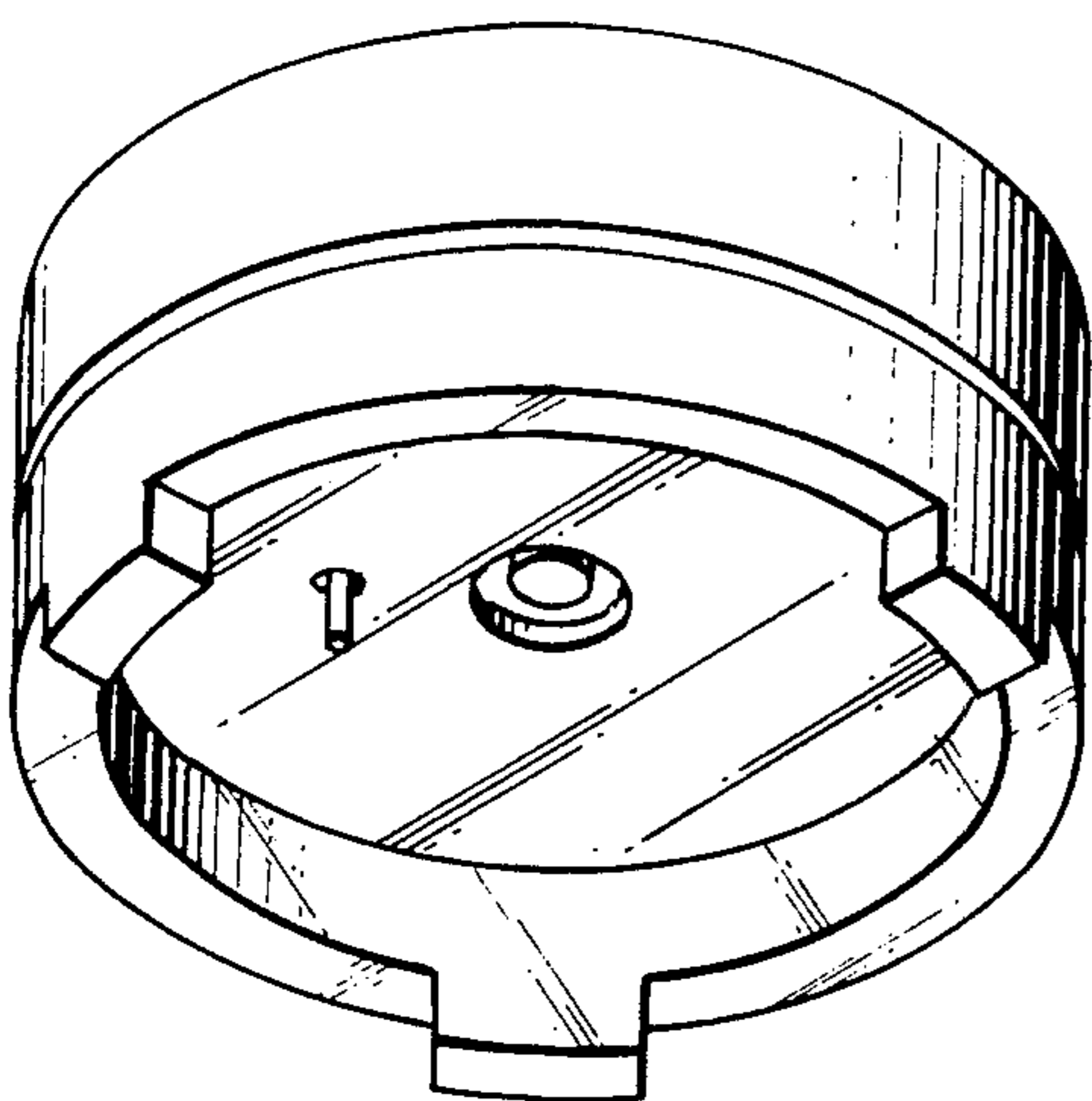


Fig. 5.

