

[54] ELECTRIC IRON STAND OR THE LIKE

[76] Inventor: Tadao Otsuji, 1856 Ninth Ave., Honolulu, Hi. 96816

[\*\*] Term: 14 Years

[21] Appl. No.: 835,248

[22] Filed: Sep. 20, 1977

[51] Int. Cl. .... D7-99

[52] U.S. Cl. .... D7/205

[58] Field of Search ..... D7/205; 248/117.1, 117.2, 248/117.3, 117.4, 117.5, 117.6, 117.7

[56] References Cited

U.S. PATENT DOCUMENTS

D. 151,668 11/1948 Wriede et al. .... D7/205  
2,485,472 10/1949 Baxter ..... 248/117.6

2,791,390 5/1957 Grommons ..... 248/117.2  
3,550,888 12/1970 Lehrman ..... 248/117.2

Primary Examiner—Wallace R. Burke  
Assistant Examiner—Catherine Kemper  
Attorney, Agent, or Firm—Stanford W. Berman

[57] CLAIM

The ornamental design for an electric iron stand or the like, as shown and described.

DESCRIPTION

FIG. 1 is a perspective view of an electric iron stand or the like showing my new design;

FIG. 2 is a top plan view thereof, shown on a smaller scale;

FIG. 3 is a side elevational view, the opposite side being a mirror image thereof;

FIG. 4 is a front elevational view thereof.

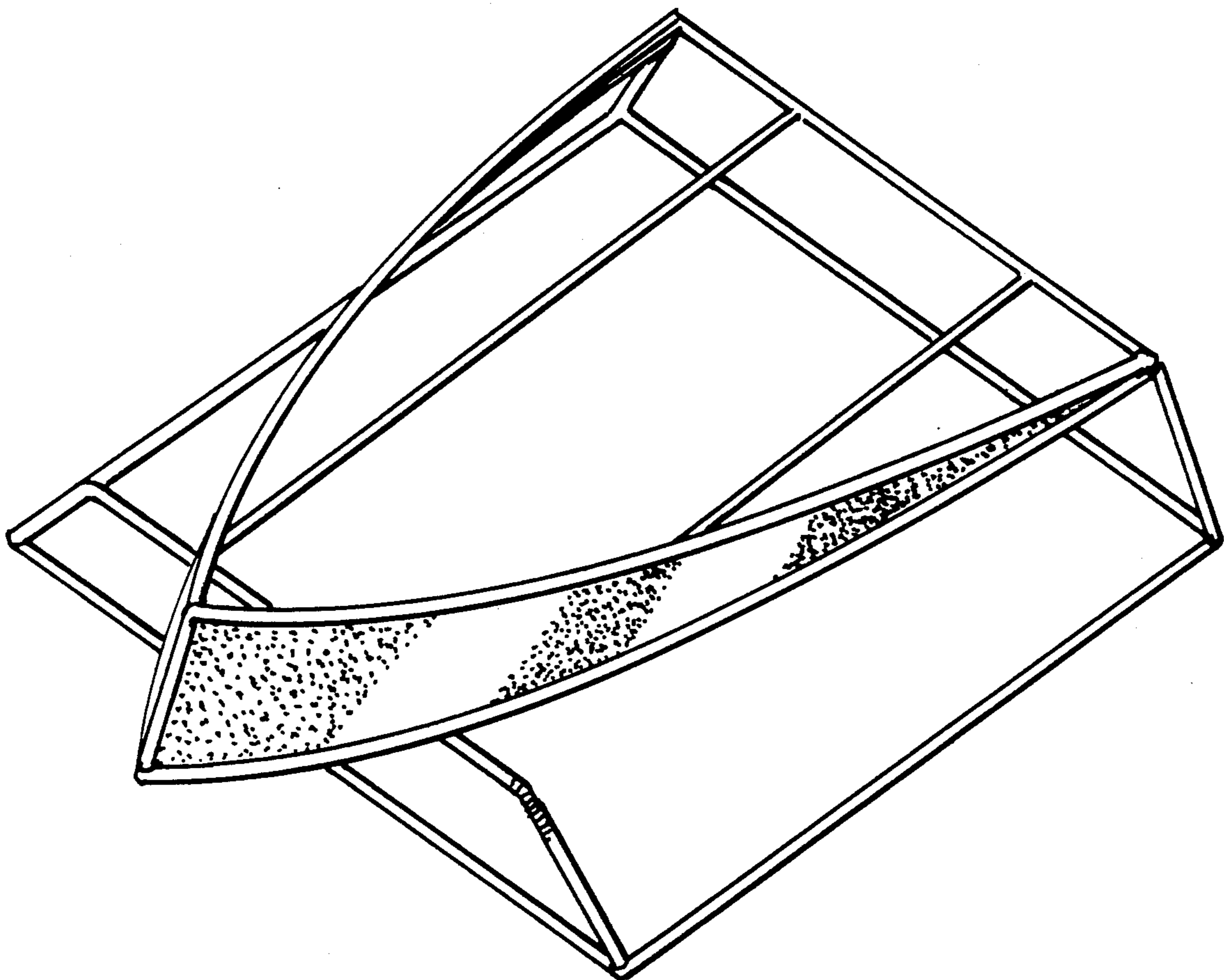


FIG. 1.

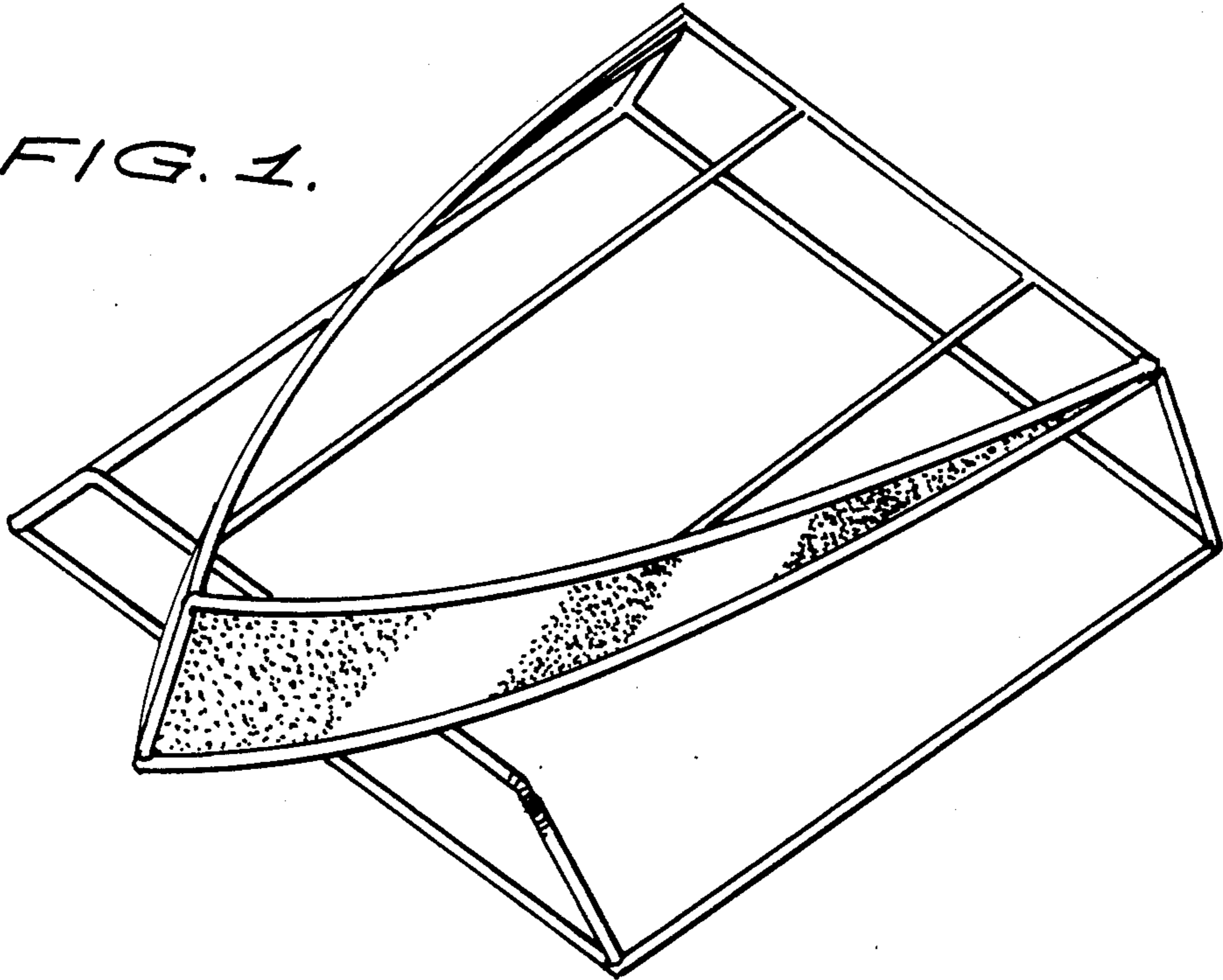


FIG. 2.

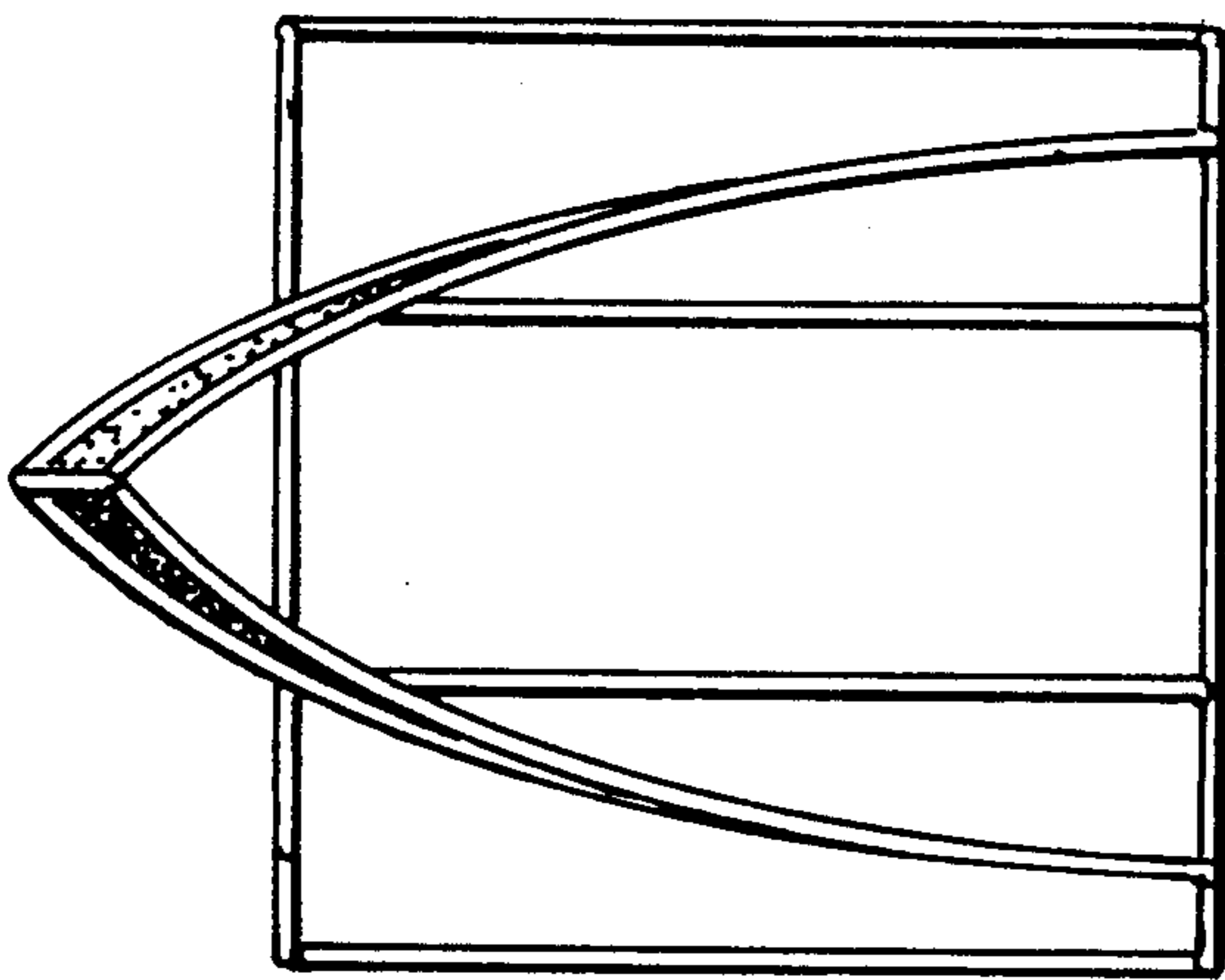


FIG. 4.

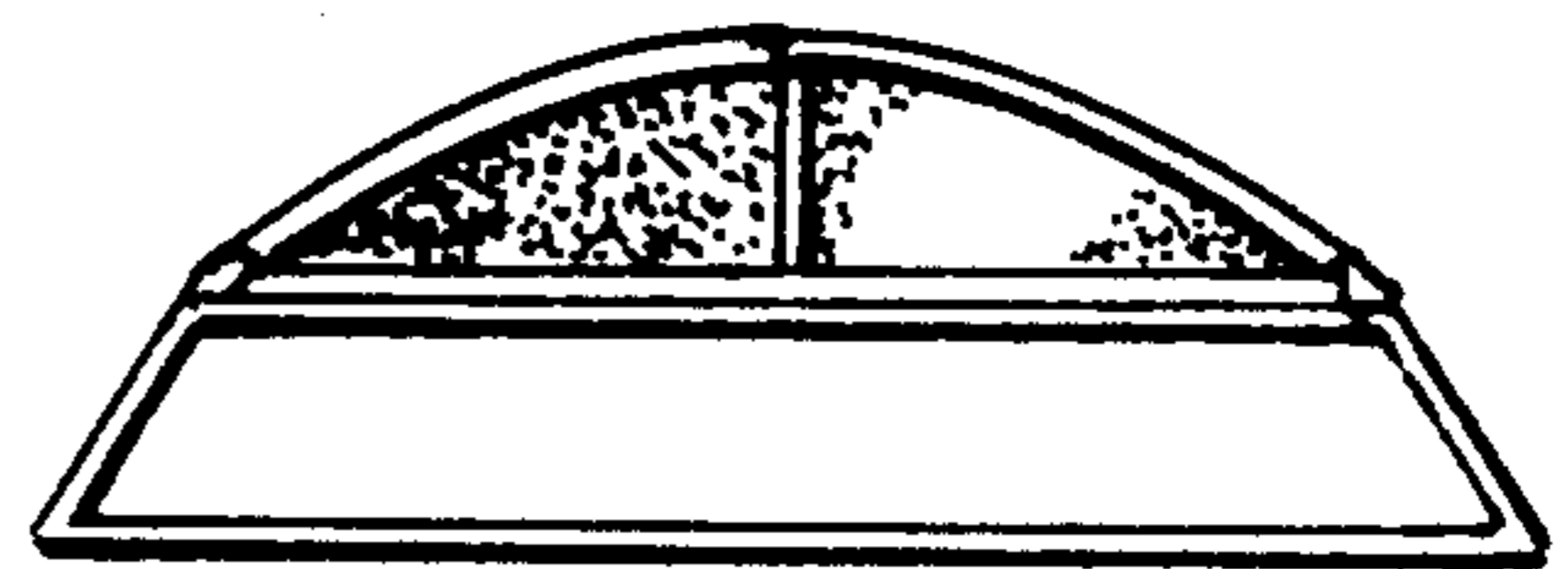


FIG. 3.

