

[54] SPOON OR SIMILAR ARTICLE OF FLATWARE

[75] Inventor: Ben Seibel, New York, N.Y.

[73] Assignee: Oxford Hall Silversmiths, Ltd., New York, N.Y.

[\*\*] Term: 14 Years

[21] Appl. No.: 715,481

[22] Filed: Aug. 18, 1976

[51] Int. Cl. .... D7-03

[52] U.S. Cl. .... D7/137

[58] Field of Search ..... D7/137, 138, 140, 141, D7/142, 143, 147, 148, 149, 150, 151, 152, 132; D8/107

References Cited

U.S. PATENT DOCUMENTS

D. 22,564 6/1893 Boutwell ..... D7/137

OTHER PUBLICATIONS

H. Nils Danish Silver Cat., p. 13 "Ripple" Pattern.

J.C.-K Flatware Pattern Directory 1973, Georg Jensen Inc. Sterling, "Pyramid".

Primary Examiner—Winifred E. Herrmann  
Attorney, Agent, or Firm—Allison C. Collard

[57] CLAIM

The ornamental design for a spoon or similar article of flatware, substantially as shown and described.

DESCRIPTION

FIG. 1 is a front elevation view of a spoon or similar article of flatware showing my new design;

FIG. 2 is a side elevation view thereof;

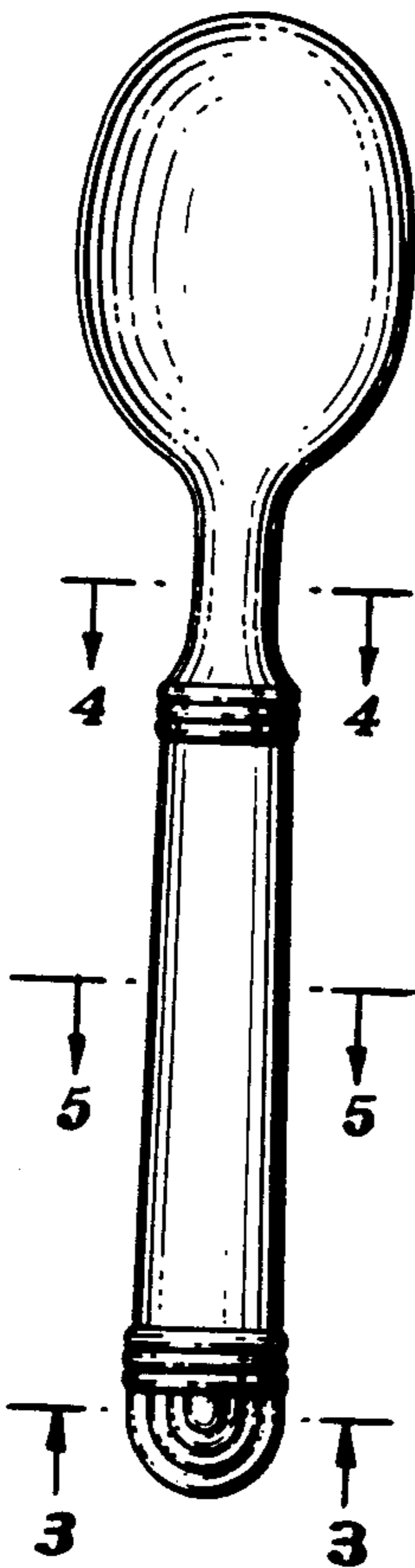
FIG. 3 is a cross-sectional view taken along section 3-3 of FIG. 1;

FIG. 4 is a cross-sectional view taken along section 4-4 of FIG. 1; and

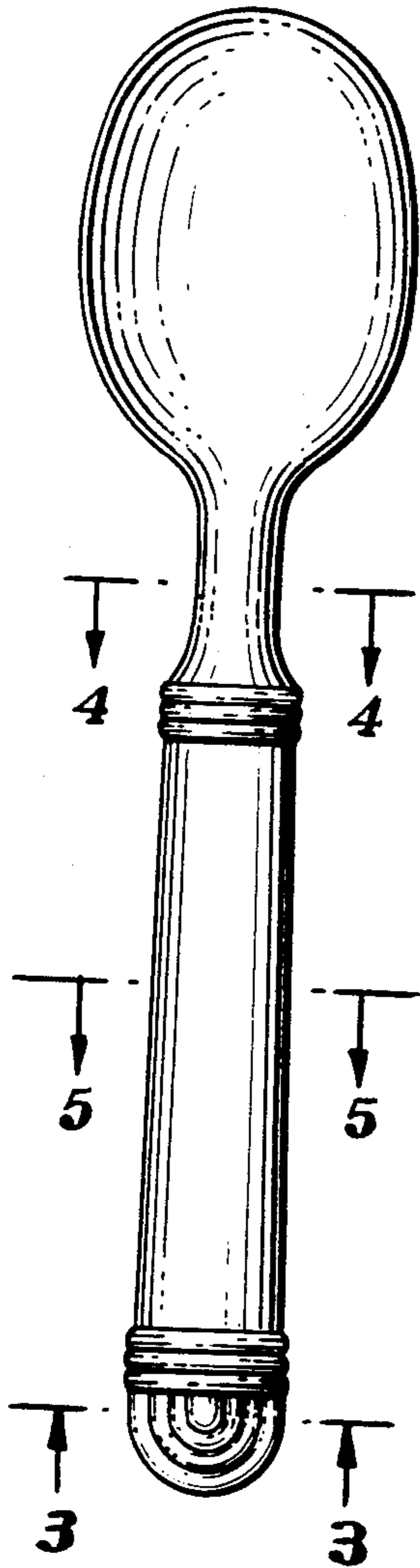
FIG. 5 is a cross-sectional view taken along section 5-5 of FIG. 1.

The design of the handle is intended for use with spoons, knives, forks and other articles of flatware.

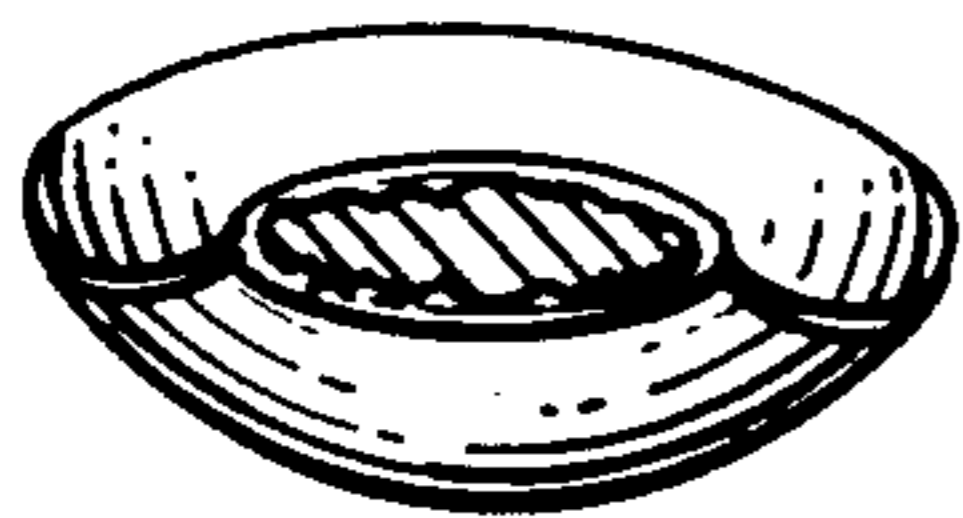
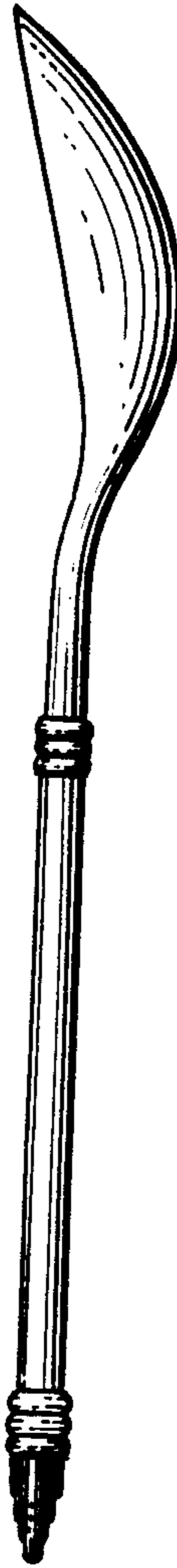
The back of the handle is similar to the front of the handle, as shown in FIG. 1.



*FIG. 1*



*FIG. 2*



*FIG. 3*



*FIG. 4*



*FIG. 5*