

- [54] **SUPPORT FOR USE WITH ELECTRONIC COMPUTER UNITS**
- [75] Inventor: **David A. O'Connor**, Virginia Beach, Va.
- [73] Assignee: **Virginia National Bankshares, Inc.**, Norfolk, Va.
- [**] Term: **14 Years**
- [21] Appl. No.: **669,604**
- [22] Filed: **Mar. 23, 1976**
- [51] Int. Cl. **D6-99**
- [52] U.S. Cl. **D6/85; D6/157; D6/186; D6/190**
- [58] Field of Search **D6/191, 184, 181, 186, D6/158, 159, 85, 162, 165, 166, 163, 167, 169; D25/58**

[56] **References Cited**
U.S. PATENT DOCUMENTS

D. 241,549	9/1976	Rota	D6/164 X
D. 243,306	2/1977	Moyer	D6/191
3,095,975	7/1963	Cassel et al.	D6/191 X

Primary Examiner—Bruce W. Dunkins
Attorney, Agent, or Firm—Edward J. Kondracki

[57] **CLAIM**

The ornamental design for a support for use with electronic computer units, substantially as shown and described.

DESCRIPTION

FIG. 1 is an overhead perspective view of my new, original and ornamental design showing modular wings arranged to form a T-shape environment for a computer banking terminal disposed within the arrangement;
 FIG. 2 is a side elevational view of FIG. 1, viewing the environment as seen in FIG. 1 from the upper right hand corner;
 FIG. 3 is an overhead perspective view of my new and original design showing modular wings arranged to form a cross-shape environment for a computer banking terminal disposed within the arrangement; and
 FIG. 4 is an overhead perspective view of my new, original and ornamental design showing modular wings arranged to form an L-shape environment for a computer banking terminal disposed within the arrangement.

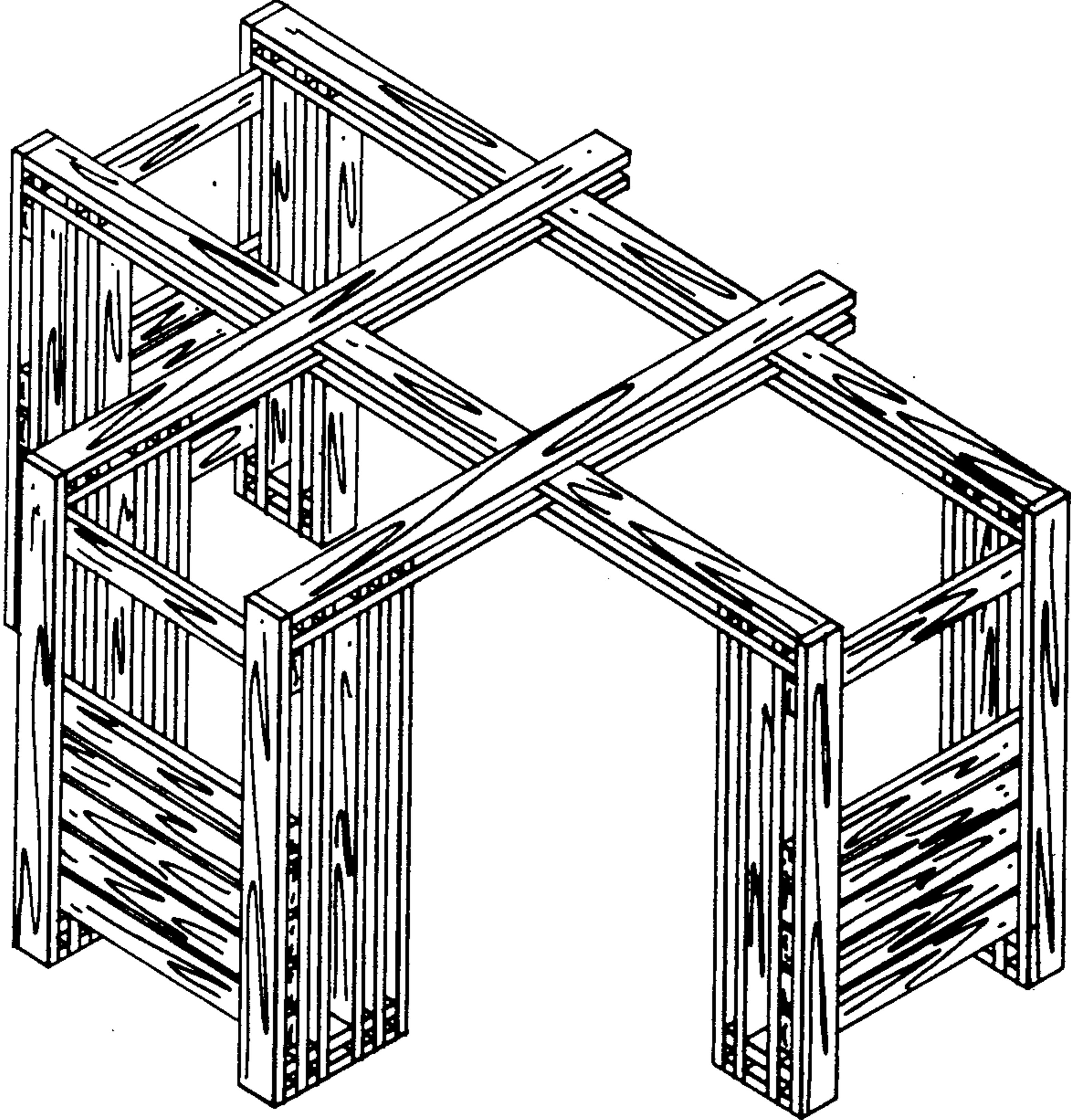


FIG. 1.

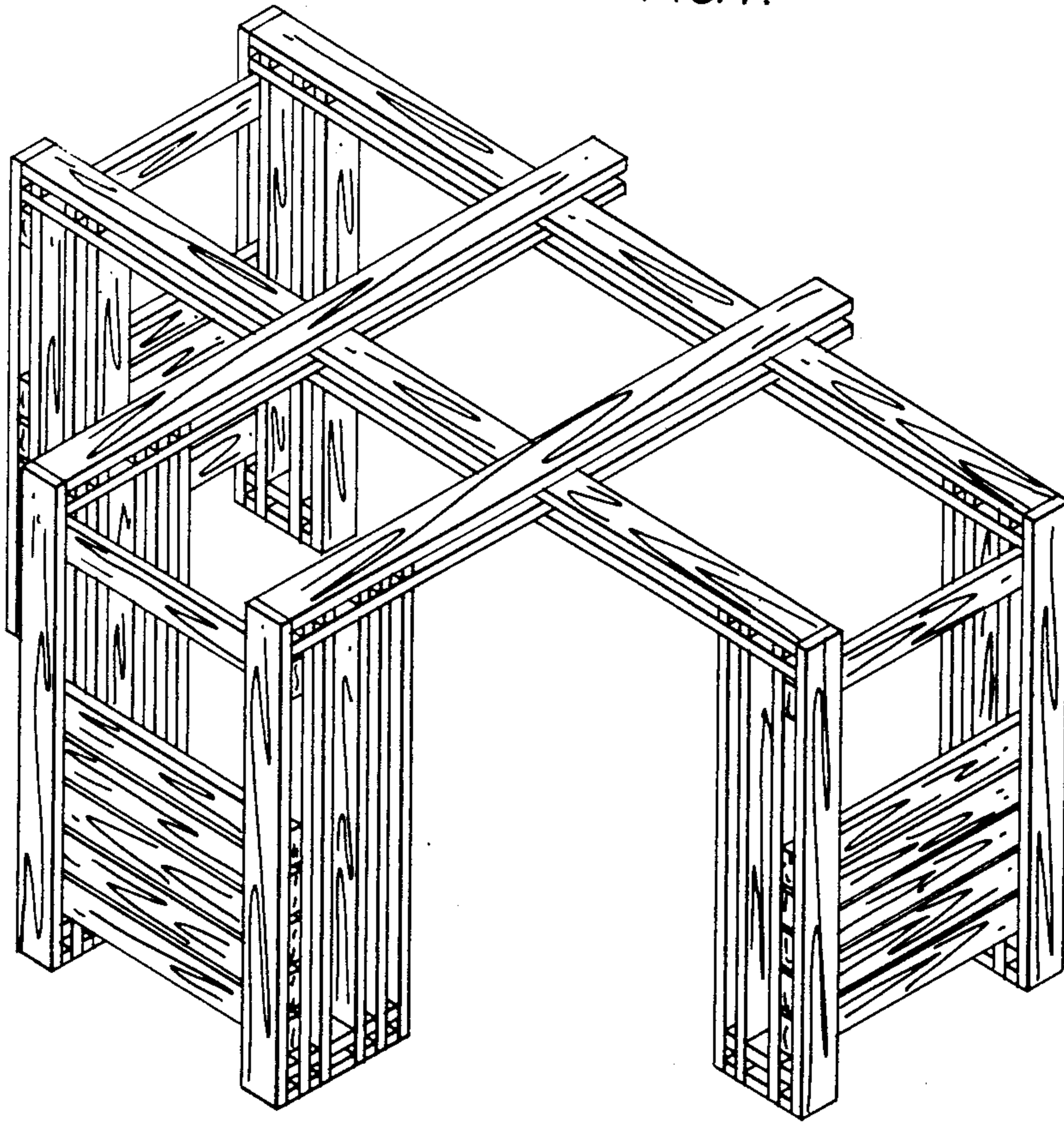
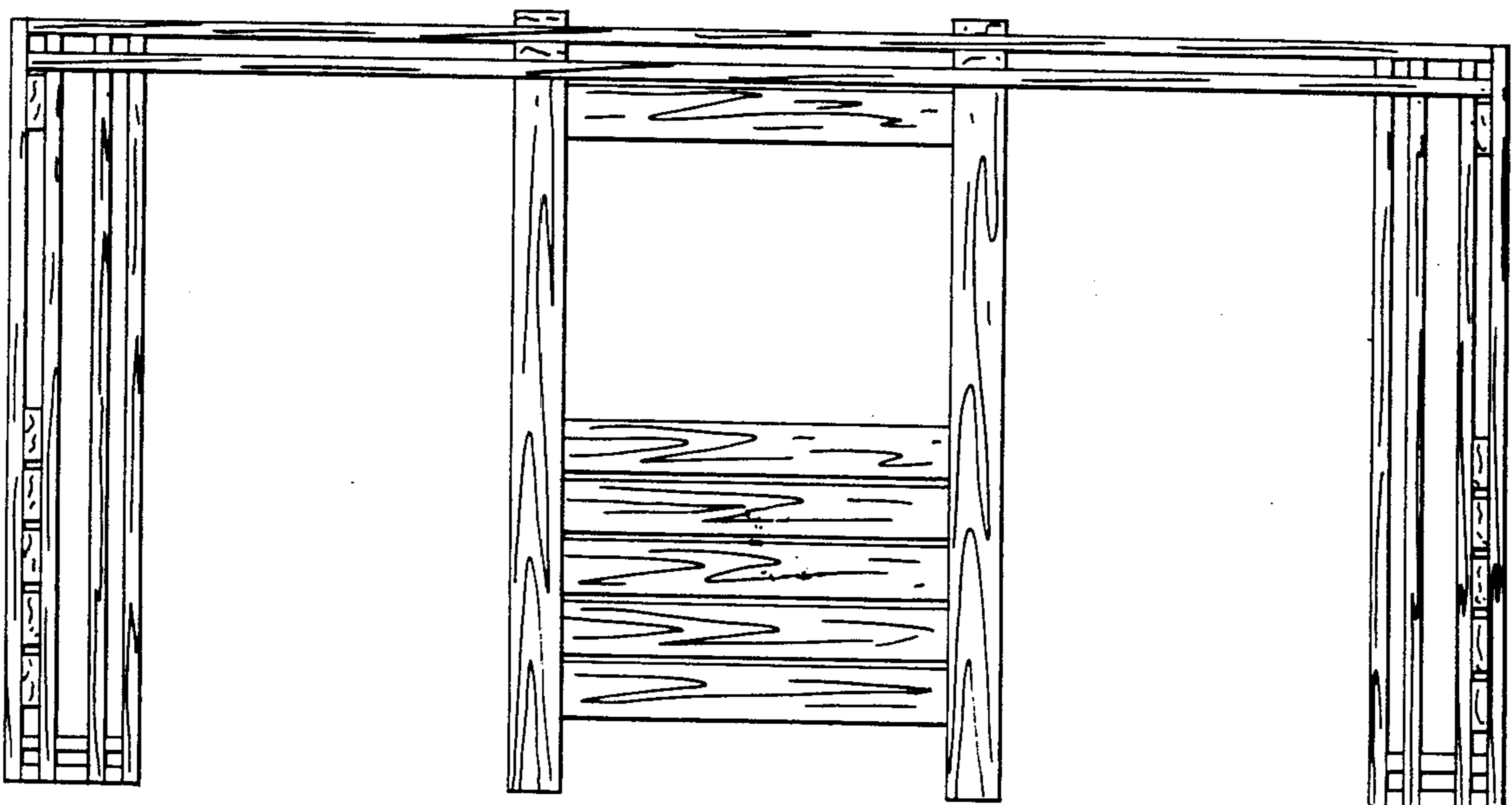


FIG. 2.



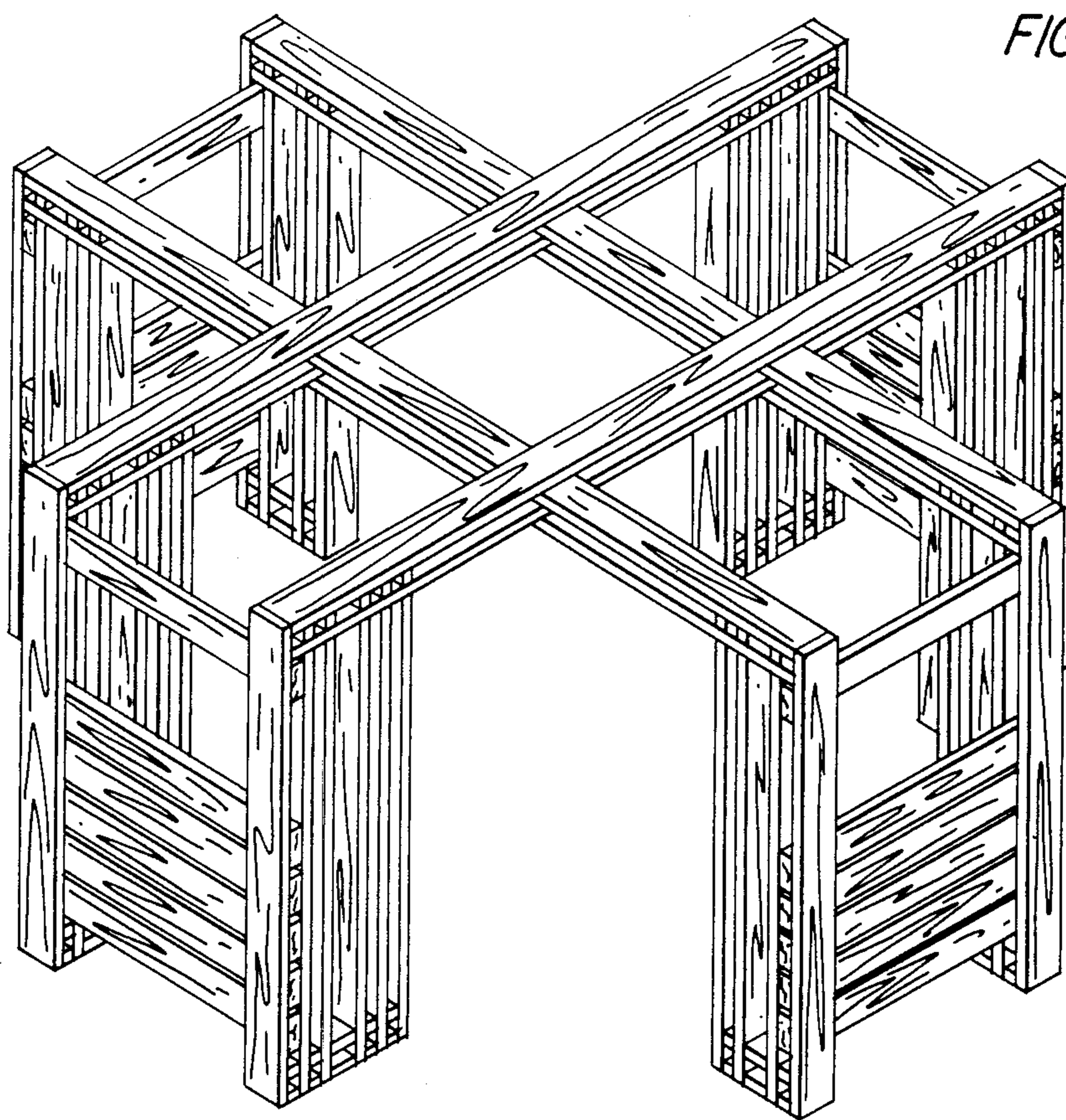


FIG. 3.

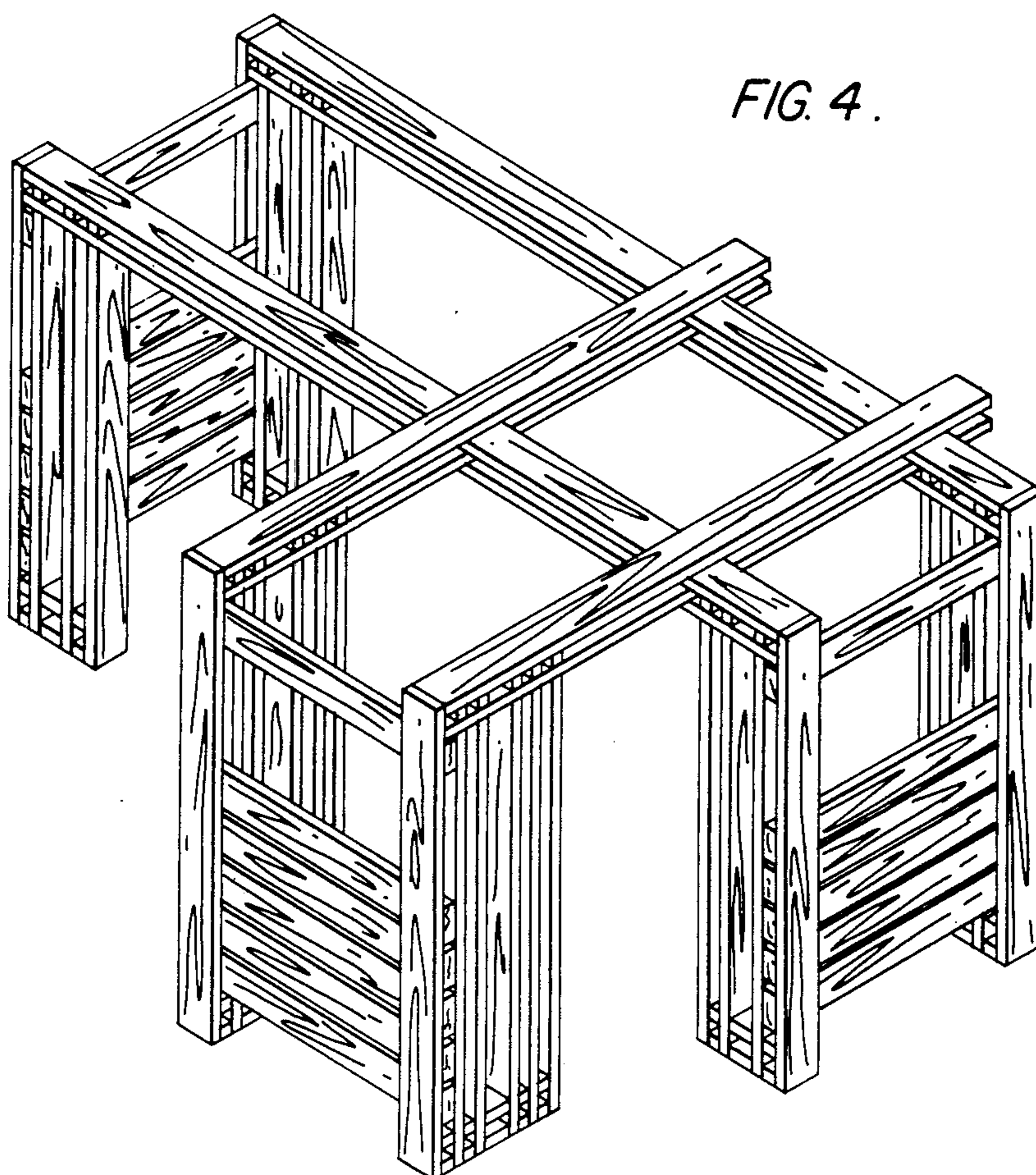


FIG. 4.