

[54] FOREARM CARRYALL

[76] Inventor: Michael R. Libonati, 2855 Calle La Cota, Thousand Oaks, Calif. 91360

[\*\*] Term: 14 Years

[21] Appl. No.: 776,003

[22] Filed: Mar. 9, 1977

[51] Int. Cl. .... D3-01

[52] U.S. Cl. .... D87/3 R; D2/383; D2/402

[58] Field of Search ..... D87/1 R, 3 R, 3 A, 3 D; D2/379, 402, 27, 383; 224/28 R, 28 A, 28 B

[56] References Cited

U.S. PATENT DOCUMENTS

D. 46,081	7/1914	Boch	.....	D2/383
75,458	3/1968	Pratt	.....	224/28 B
D. 191,696	11/1961	Weil	.....	D2/383
214,823	4/1879	Hopkins	.....	224/28 B
D. 232,869	9/1974	Yoshimura	.....	D87/1 R
2,352,473	6/1944	Cortese	.....	224/28 B
2,881,444	4/1959	Bass	.....	224/28 B

Primary Examiner—Joel Stearman

Assistant Examiner—George P. Word  
Attorney, Agent, or Firm—Kenneth J. Hovet

[57] CLAIM

The ornamental design for a forearm carryall, substantially as shown and described.

DESCRIPTION

FIG. 1 is a perspective view of a forearm carryall showing my new design;

FIG. 2 is a rear elevational view thereof;

FIG. 3 is a top plan view;

FIG. 4 is a bottom plan view;

FIG. 5 is a left end elevational view;

FIG. 6 is a right end elevational view;

FIG. 7 is a perspective view thereof with the slide fastener open and the straps positioned as when encircling a forearm;

FIG. 8 is a perspective view of an alternate embodiment of the forearm carryall with the slide fastener open and the straps positioned as when encircling a forearm;

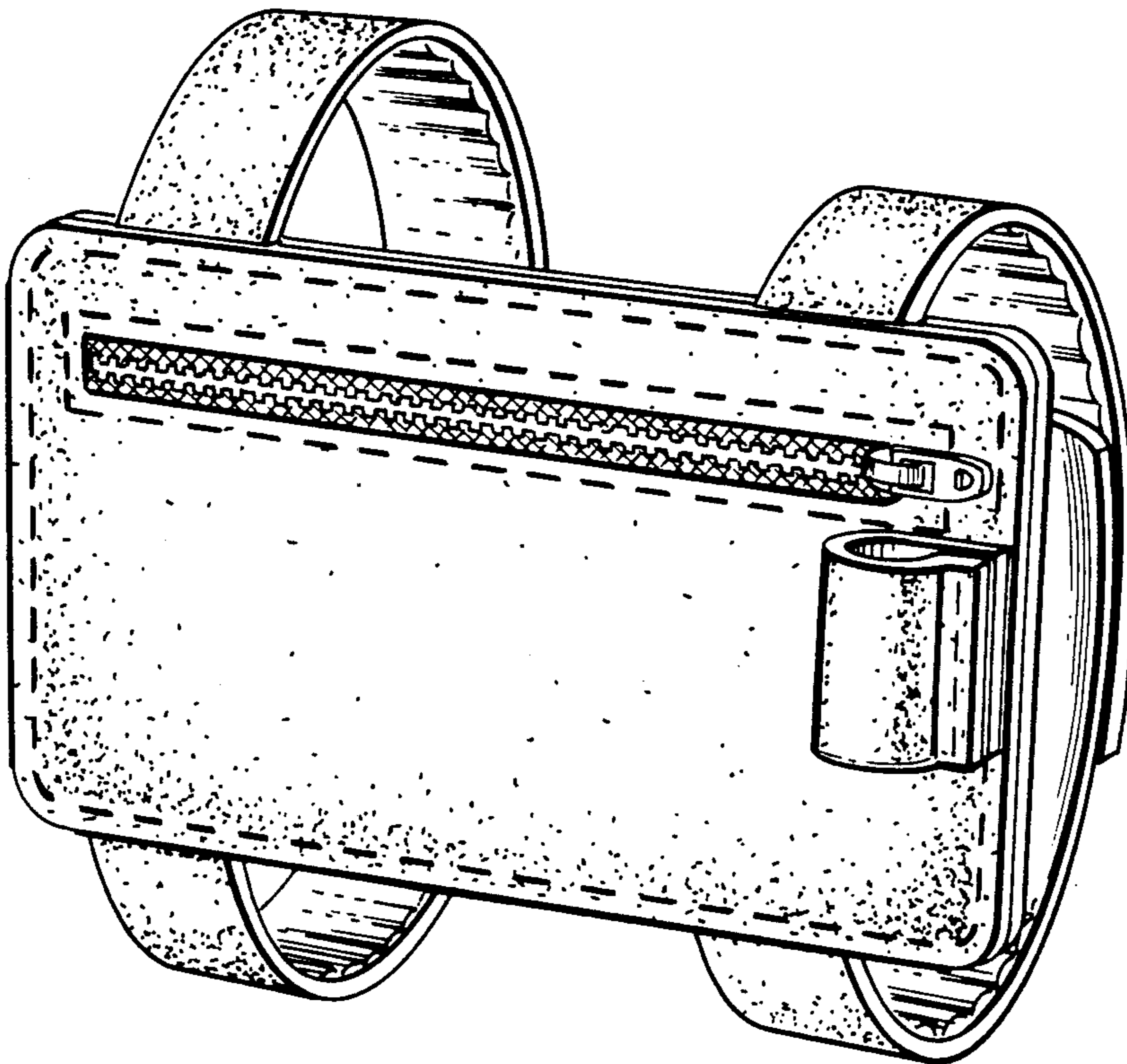
FIG. 9 is a rear elevational view thereof;

FIG. 10 is a top plan view thereof;

FIG. 11 is a bottom plan view thereof;

FIG. 12 is a left end elevational view thereof; and

FIG. 13 is a right end elevational view thereof.



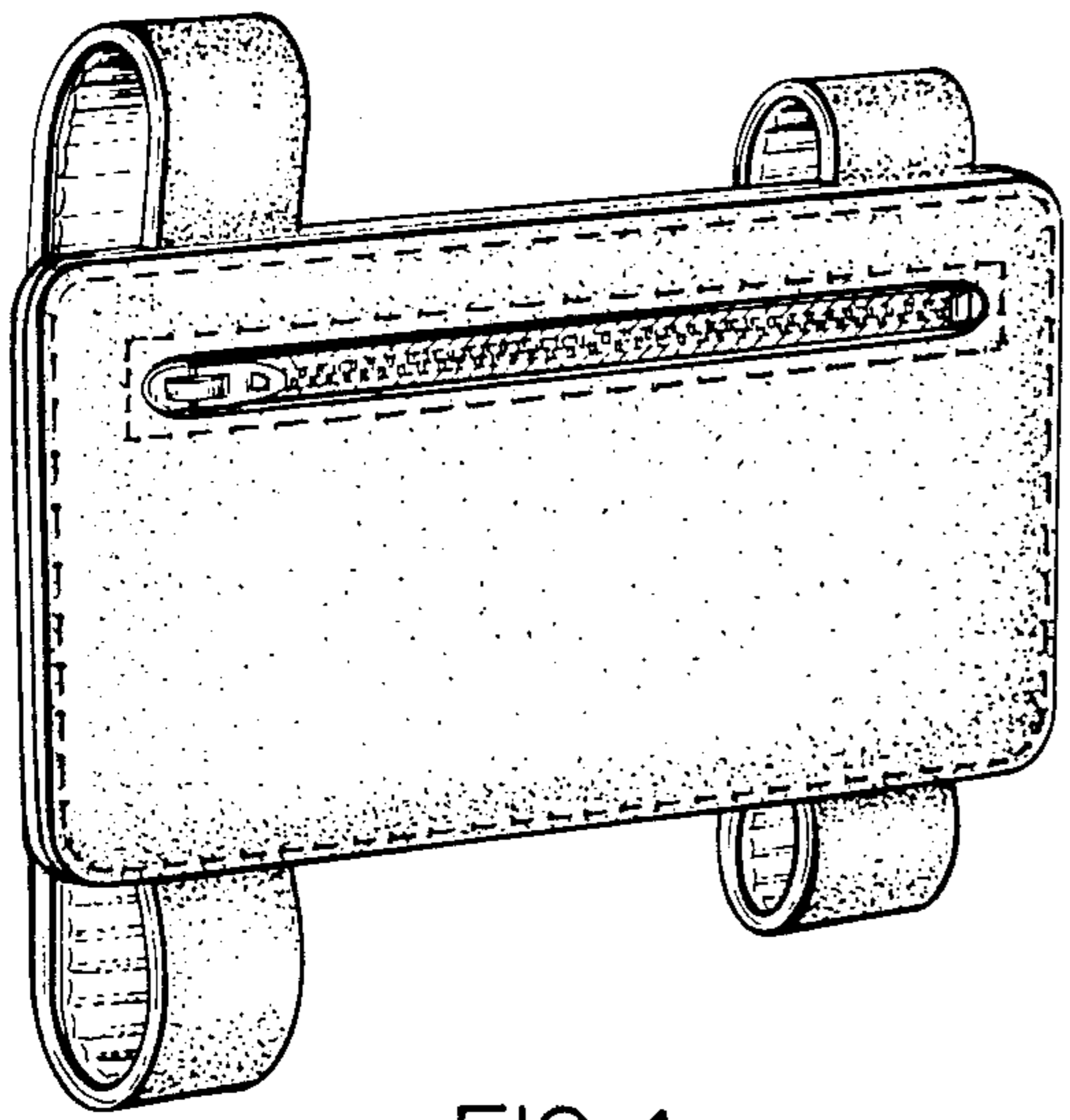


FIG. 1

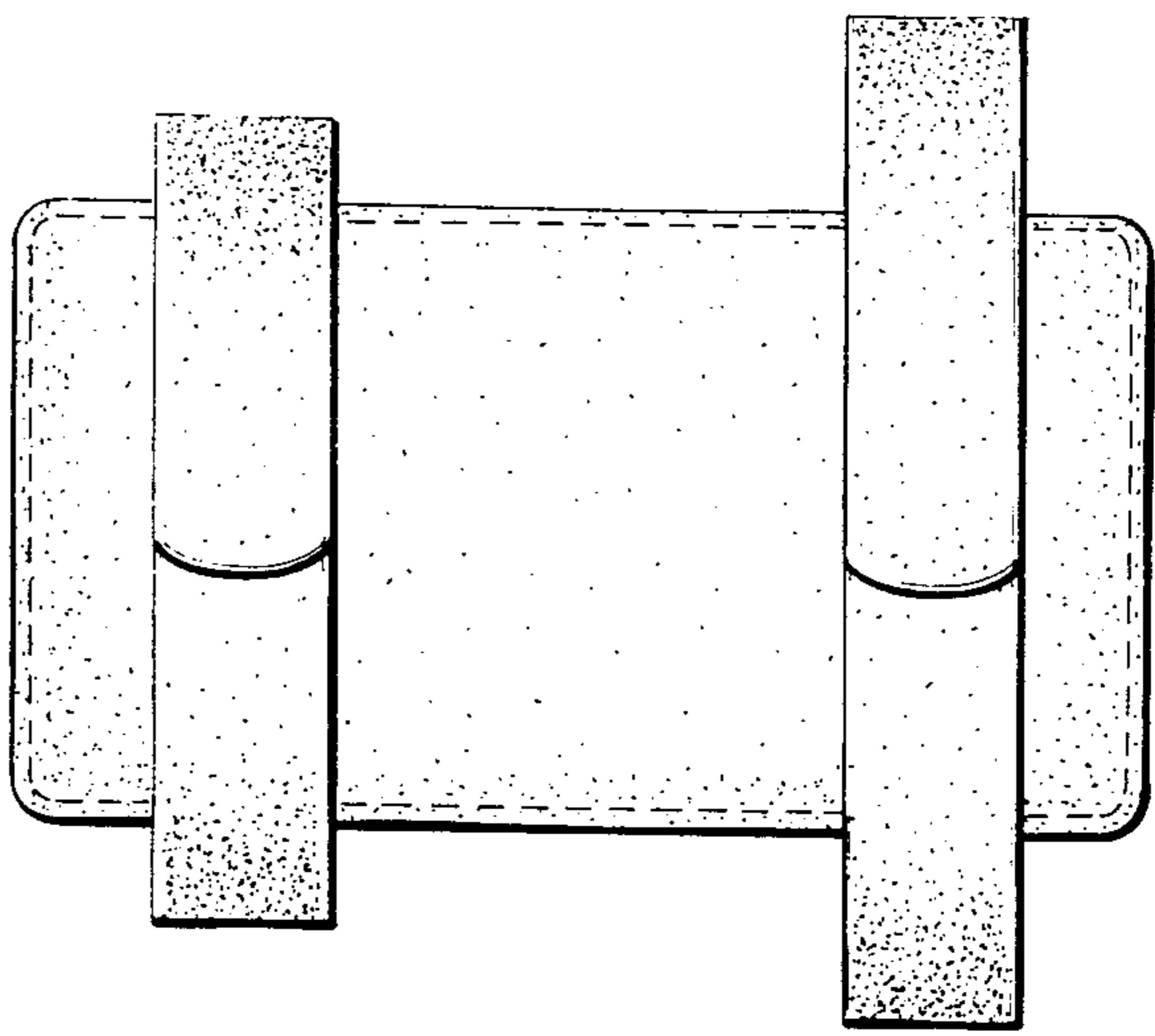


FIG. 2

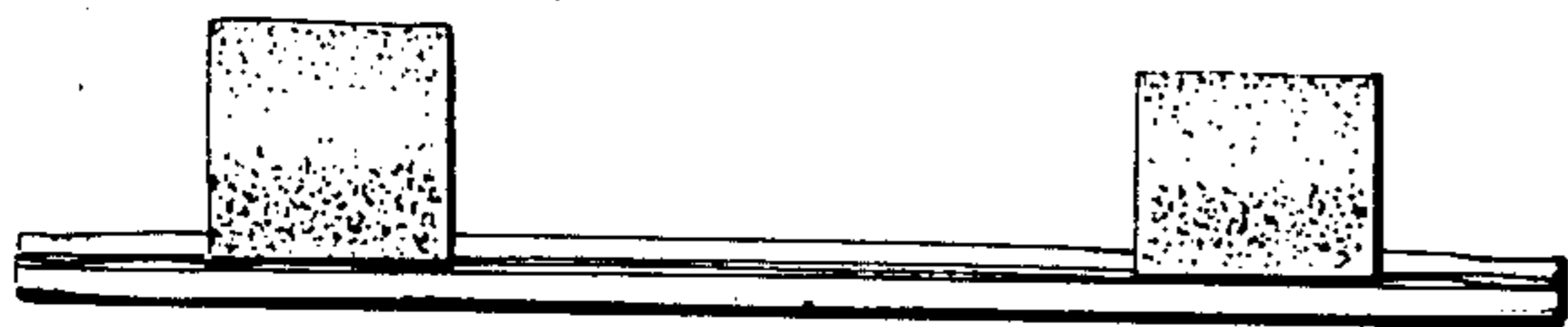


FIG. 3

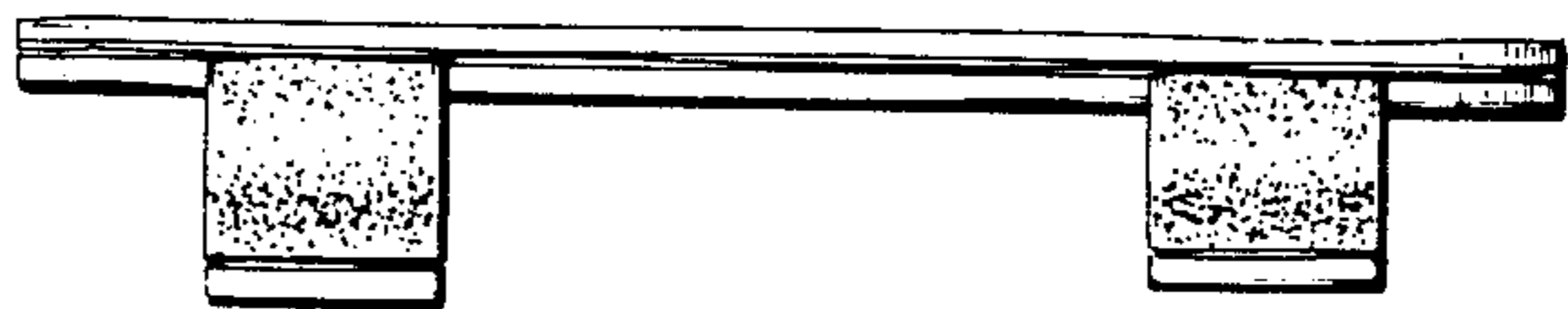


FIG. 4

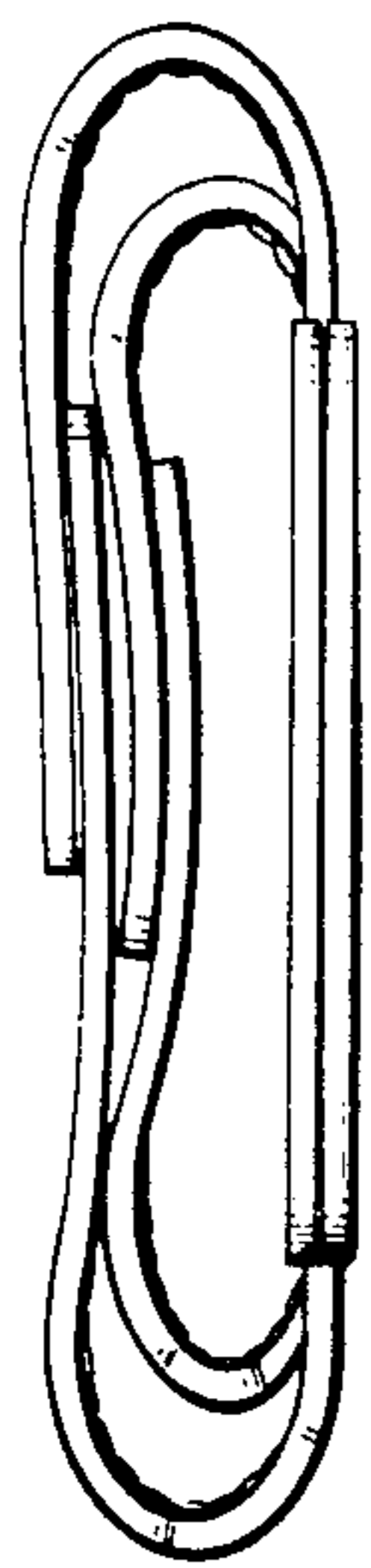


FIG. 5

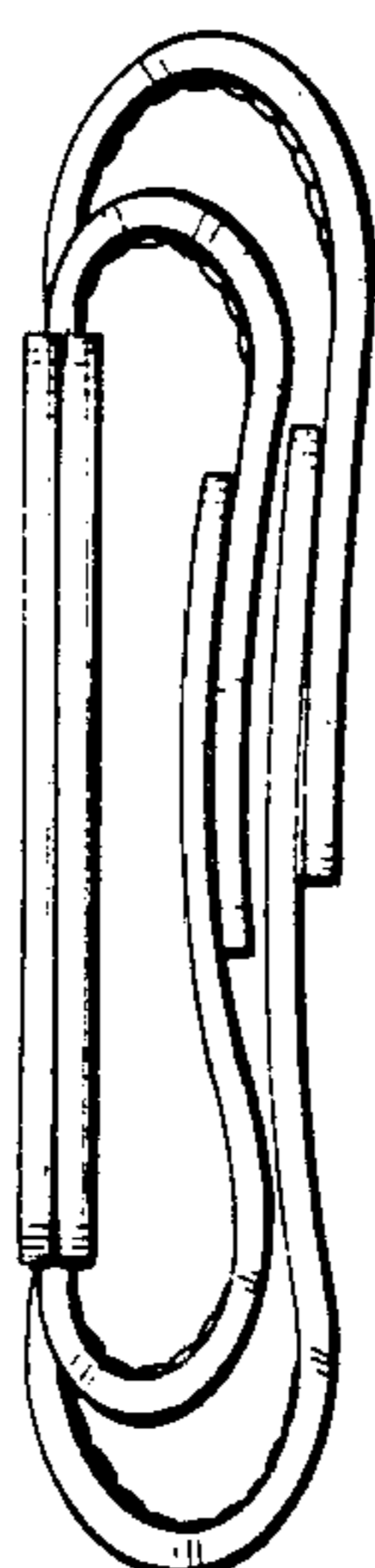


FIG. 6

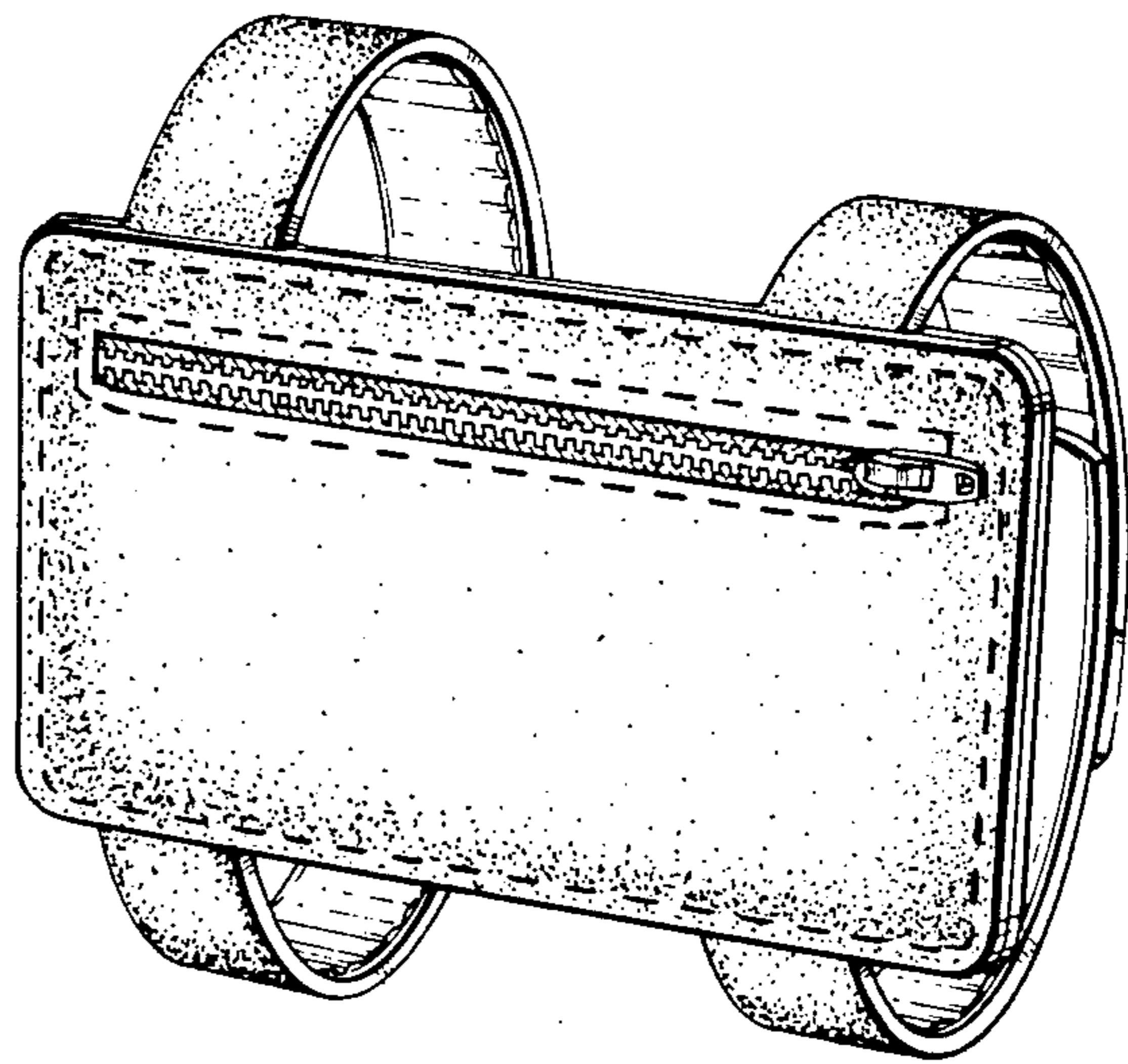


FIG. 7

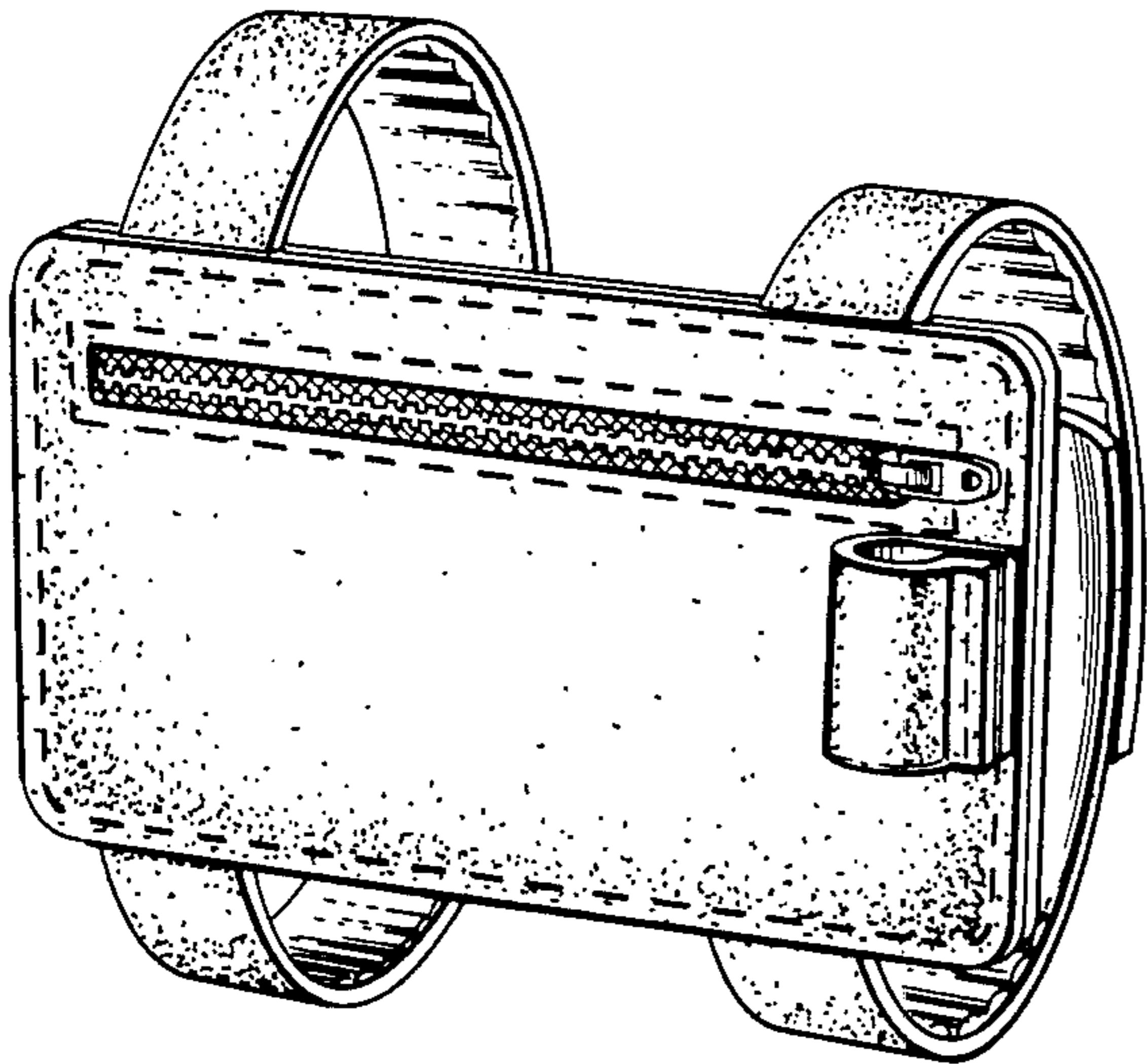


FIG. 8

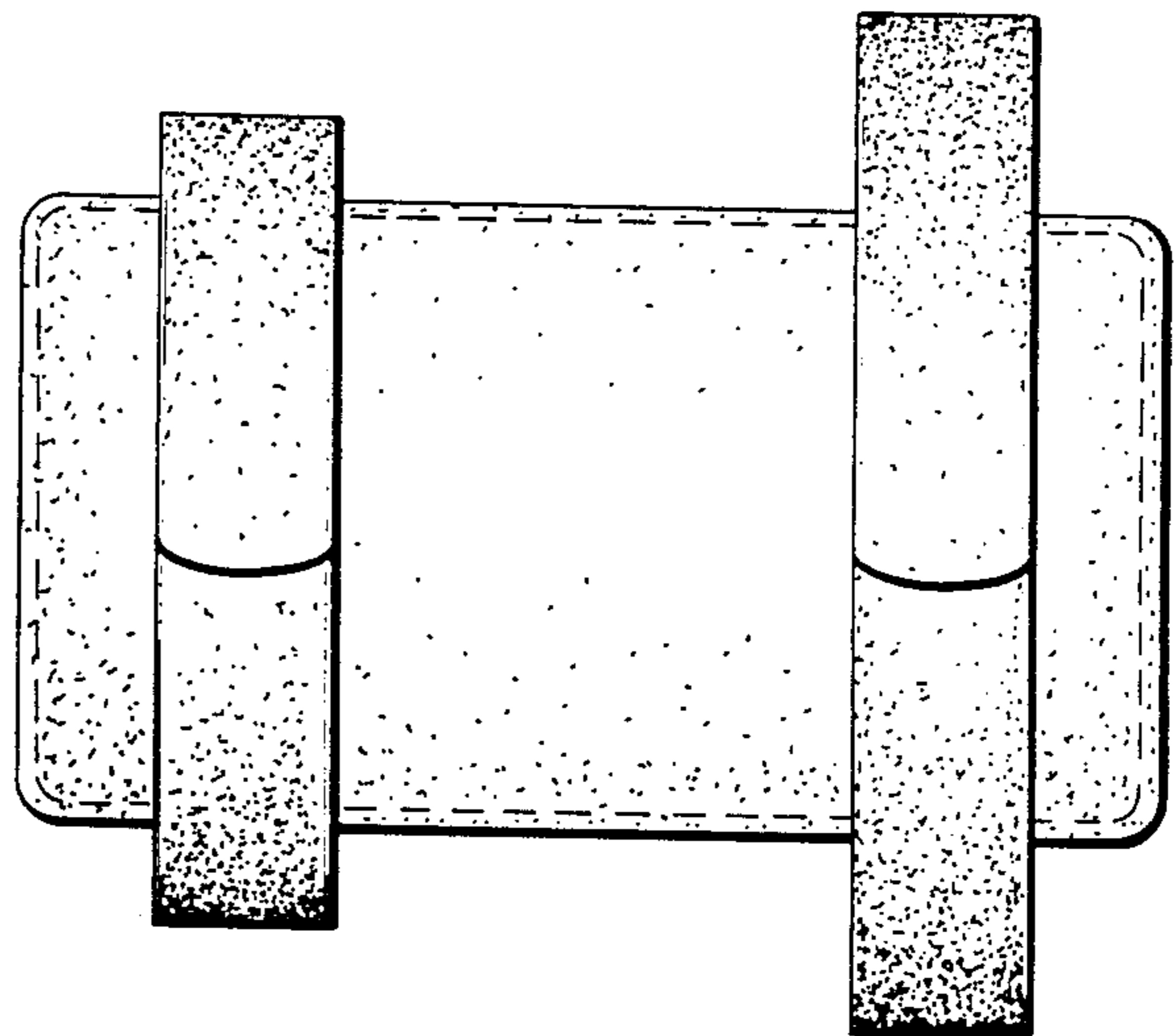


FIG. 9

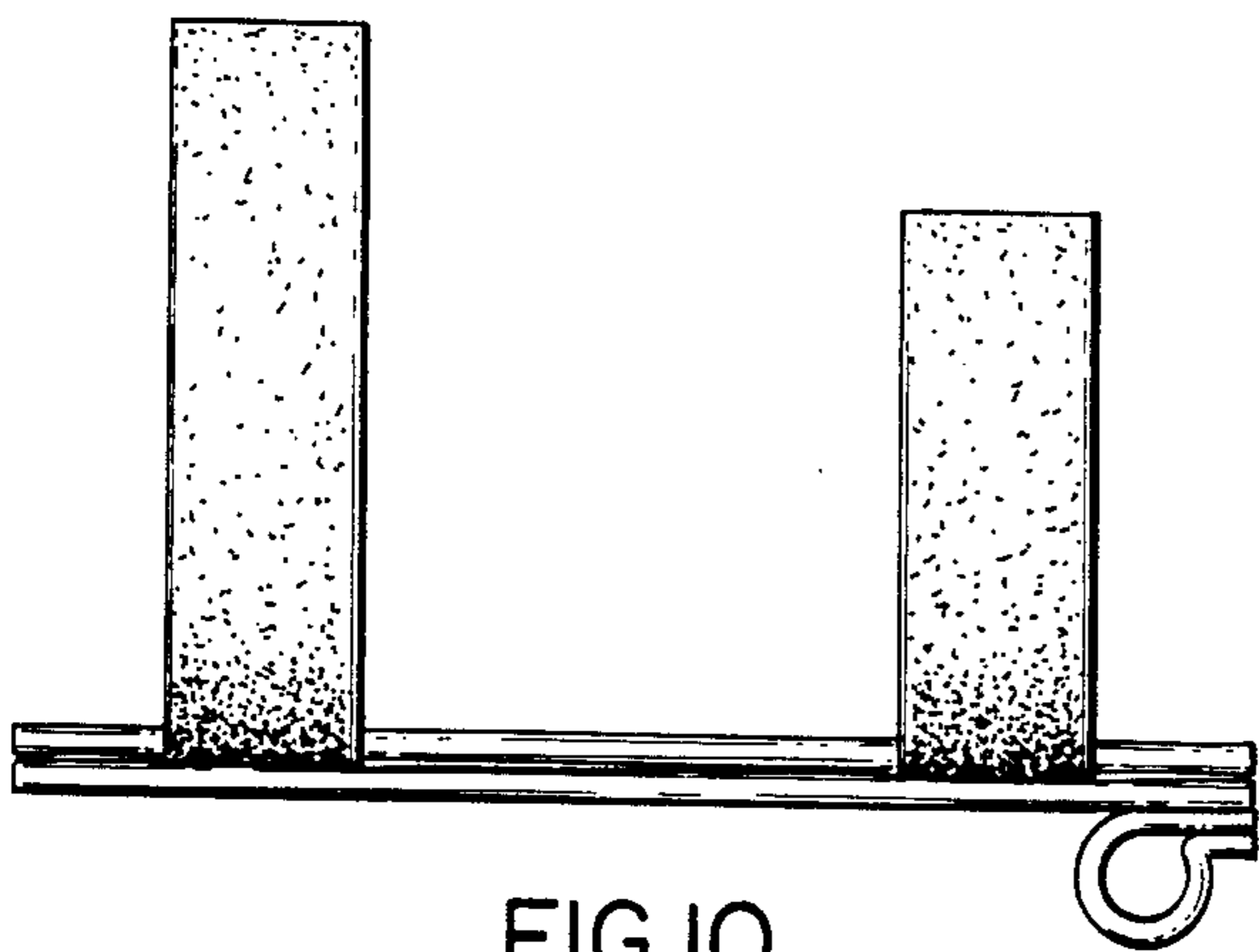


FIG. 10

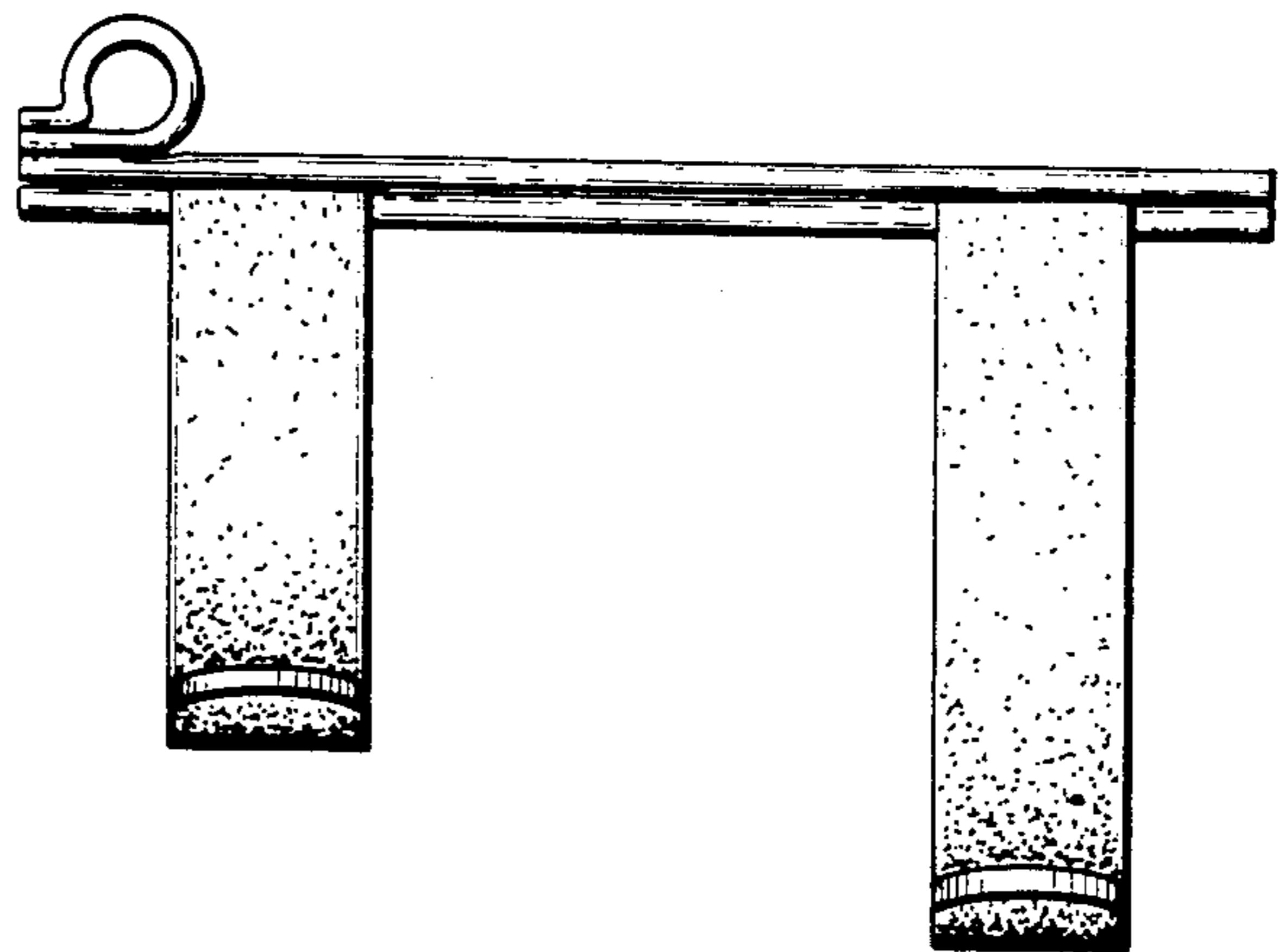


FIG. 11

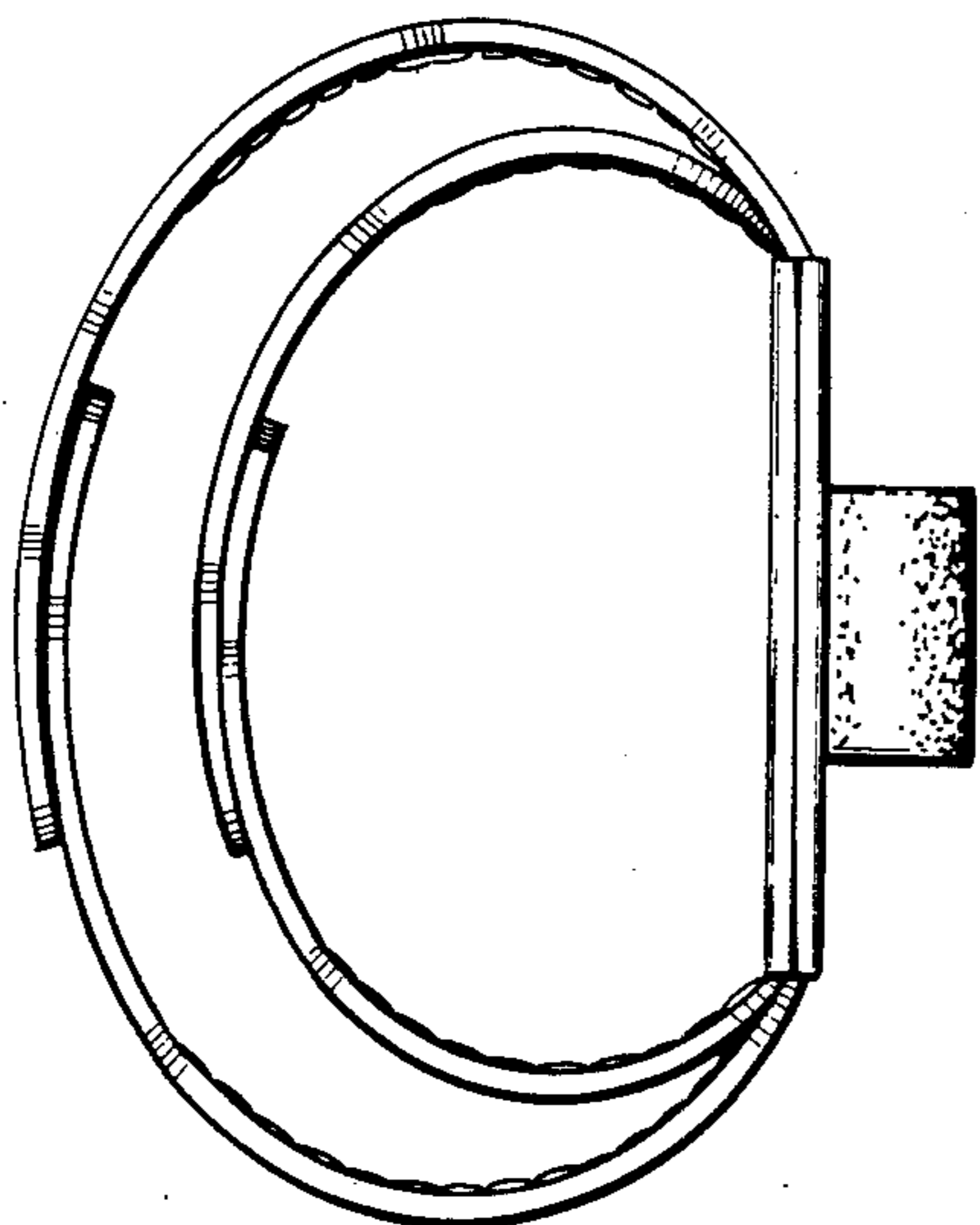


FIG. 12

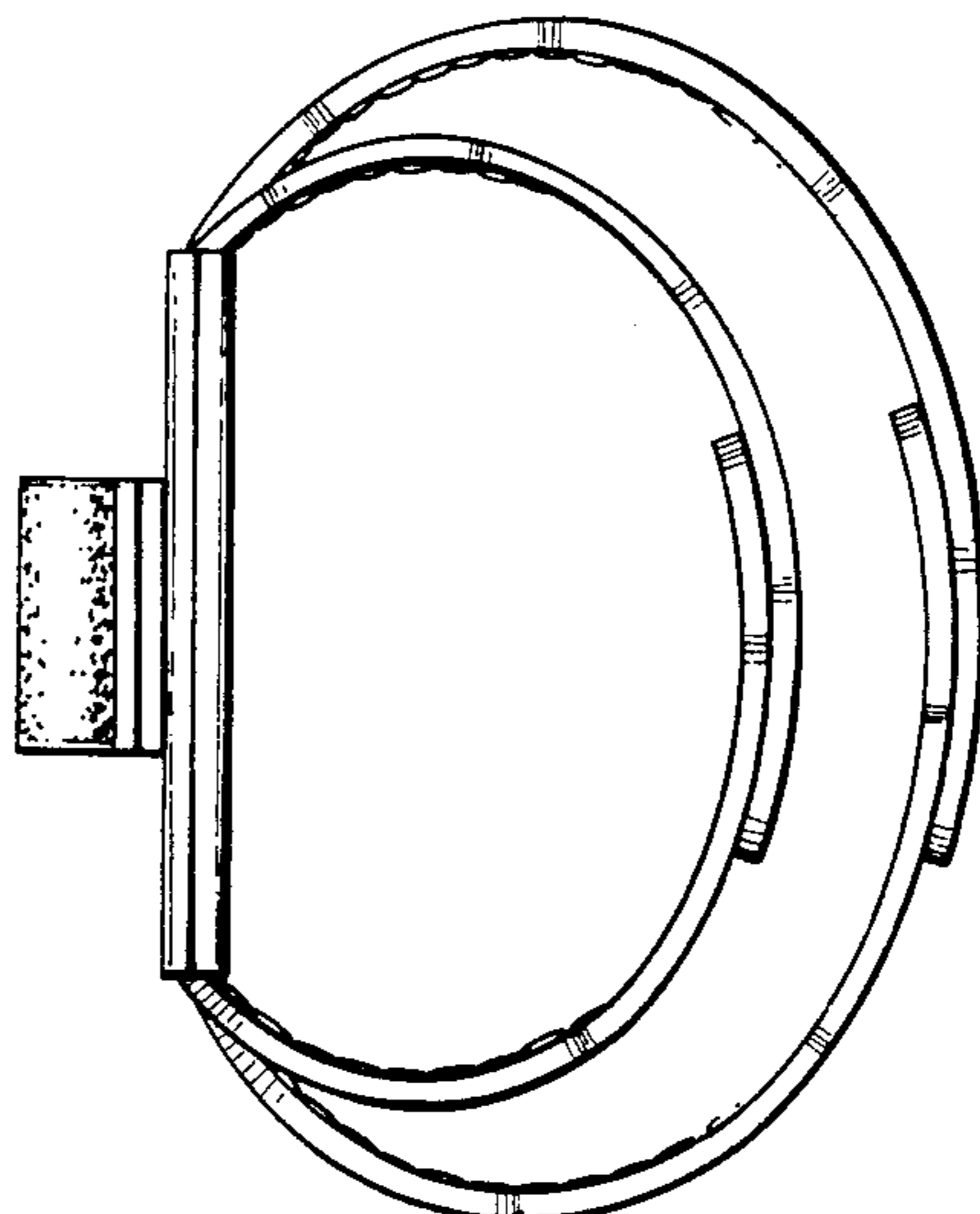


FIG. 13