

[54] MUSIC RACK

405,789 6/1889 Moore ..... 84/180

[75] Inventors: Harold B. Martin, West Caldwell;  
Herman O. Rogg, Watchung, both of  
N.J.

[73] Assignee: Graber-Rogg, Inc., Cranford, N.J.

[\*\*] Term: 14 Years

[21] Appl. No.: 644,766

[22] Filed: Dec. 29, 1975

[51] Int. Cl. .... D17-99

[52] U.S. Cl. .... D56/9; D56/1 R;  
D56/2

[58] Field of Search ..... D6/18; D56/1 R, 2, 9;  
84/1, 180, 329, 453

[56] References Cited

U.S. PATENT DOCUMENTS

170,619 11/1875 Brambach ..... 84/180  
D. 212,645 11/1968 Garvey ..... D56/1 R

OTHER PUBLICATIONS

The Music Trades, Jun. 1974, p. 16-Acetone Organ  
Rack at top.

House & Garden, Oct. 1963, p. 68-Baldwin Transitional  
Organ Music Rack.

Primary Examiner—Joel Stearman

Assistant Examiner—Louis S. Zarfes

Attorney, Agent, or Firm—John J. Lipari

[57] CLAIM

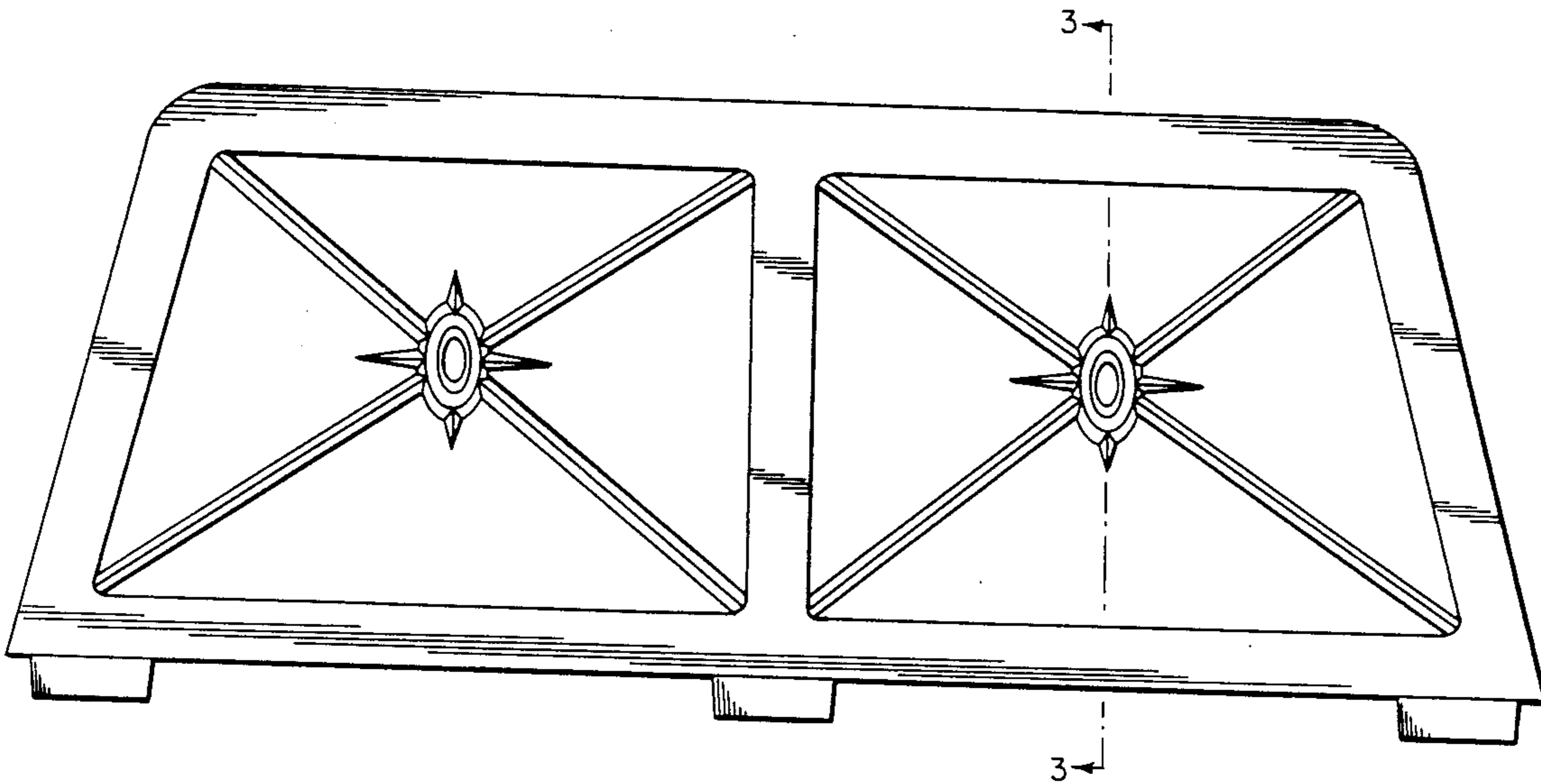
The ornamental design for a music rack, as shown and  
described.

DESCRIPTION

FIG. 1 is a front elevational view of a music rack show-  
ing my design;

FIG. 2 is a right edge elevational view thereof on an  
enlarged scale; and

FIG. 3 is a sectional view on an enlarged scale taken on  
line 3-3 of FIG. 1.



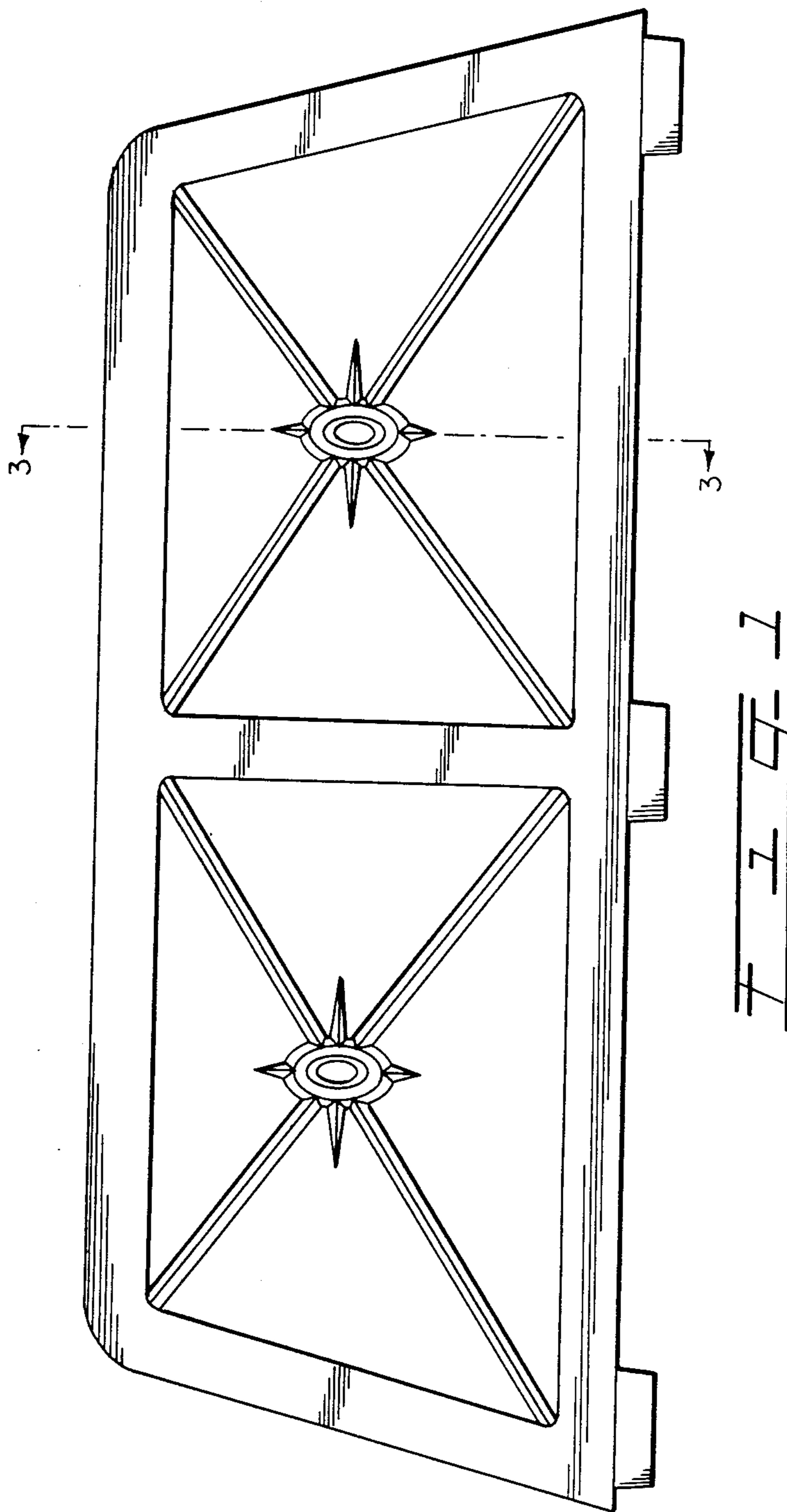




FIG. 2



FIG. 3