

- [54] CARRYING CASE FOR A MUSICAL INSTRUMENT
- [76] Inventor: Robert J. Atkinson, 1427 E. Windsor Rd., Glendale, Calif. 91205
- [**] Term: 14 Years
- [21] Appl. No.: 704,162
- [22] Filed: Jul. 12, 1976
- [51] Int. Cl. D3—02
- [52] U.S. Cl. D56/1 B
- [58] Field of Search D56/1 B; D87/1 R, 5 B, D87/5 F; 84/388; 206/314; 220/20, 21

3,901,384 8/1975 Lee et al. 206/314

OTHER PUBLICATIONS

Grossman Music Corp. Pat. No. 68, 1968, p. 170, Item No. 2805.

Primary Examiner—Joel Stearman
Assistant Examiner—George P. Word
Attorney, Agent, or Firm—Allan M. Shapiro

[57] CLAIM

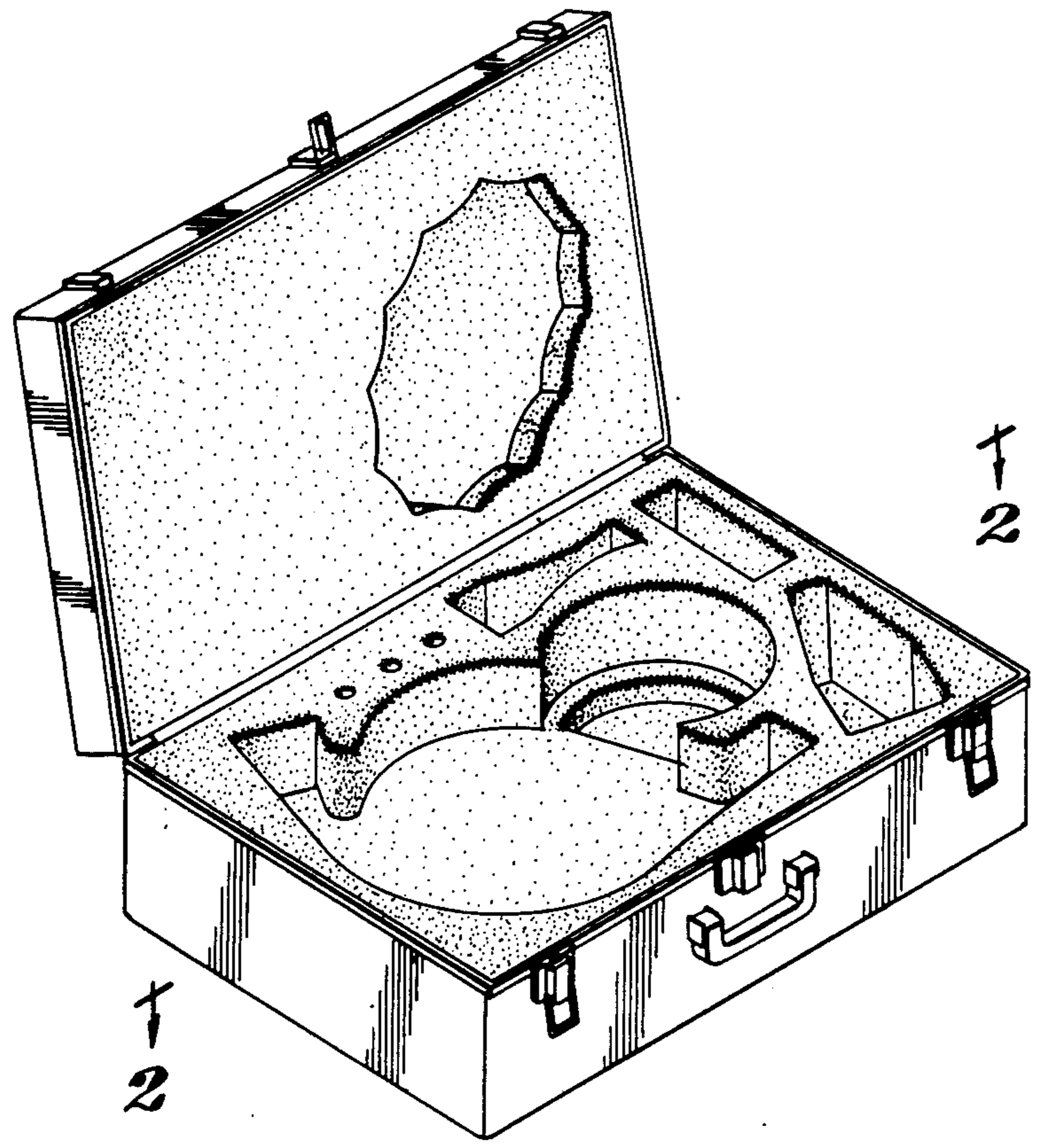
The ornamental design for a carrying case for a musical instrument, substantially as shown and described.

DESCRIPTION

FIG. 1 is a perspective view of a carrying case for a musical instrument, showing my new design; and FIG. 2 is a fragmentary top plan view thereof, taken in the direction of arrows 2—2 in FIG. 1, with the top portion broken away.

The exterior surfaces not shown are plain and unornamented.

- [56] **References Cited**
- U.S. PATENT DOCUMENTS
- 3,637,070 1/1972 Friedman 206/314



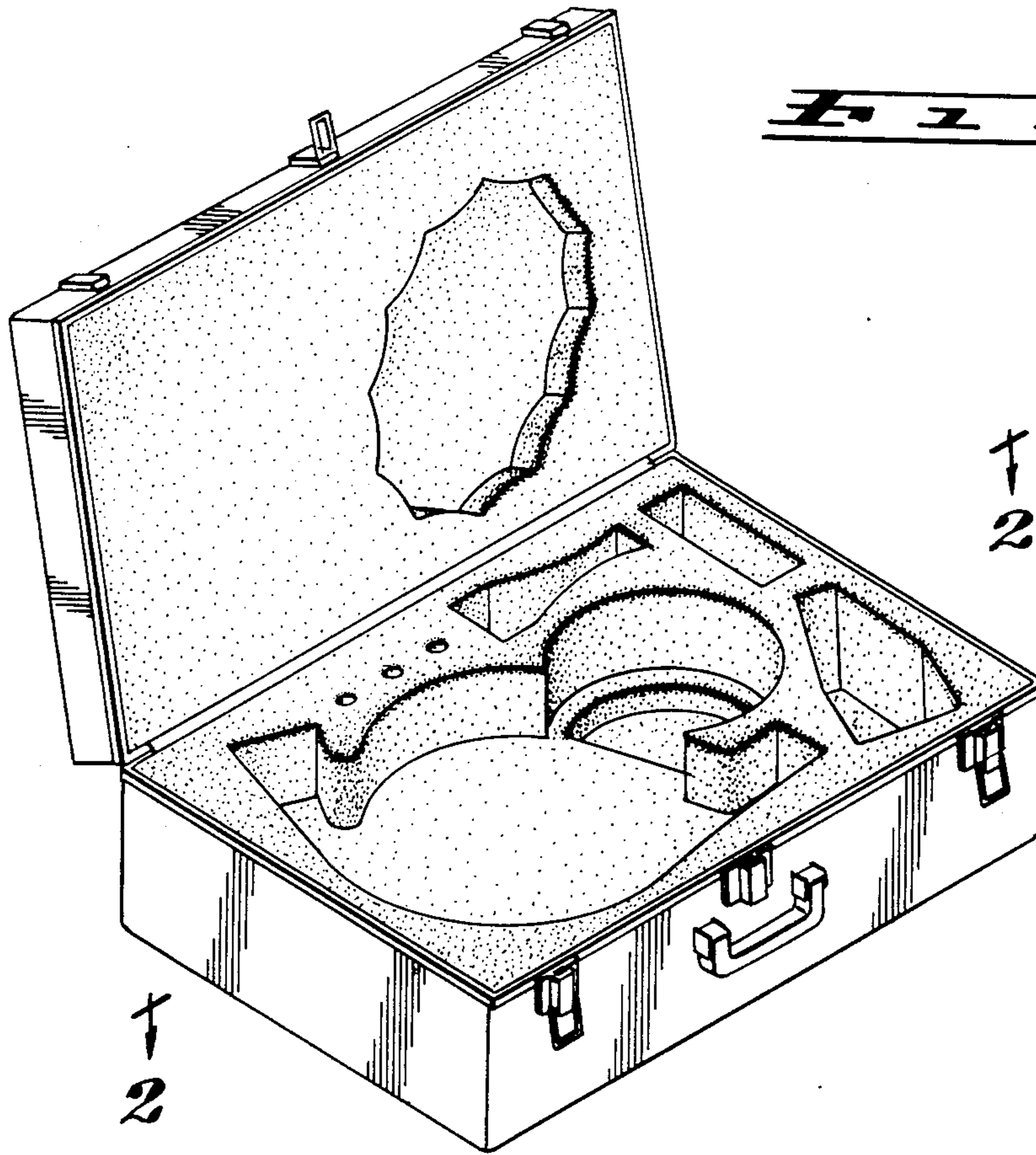


Fig. 1

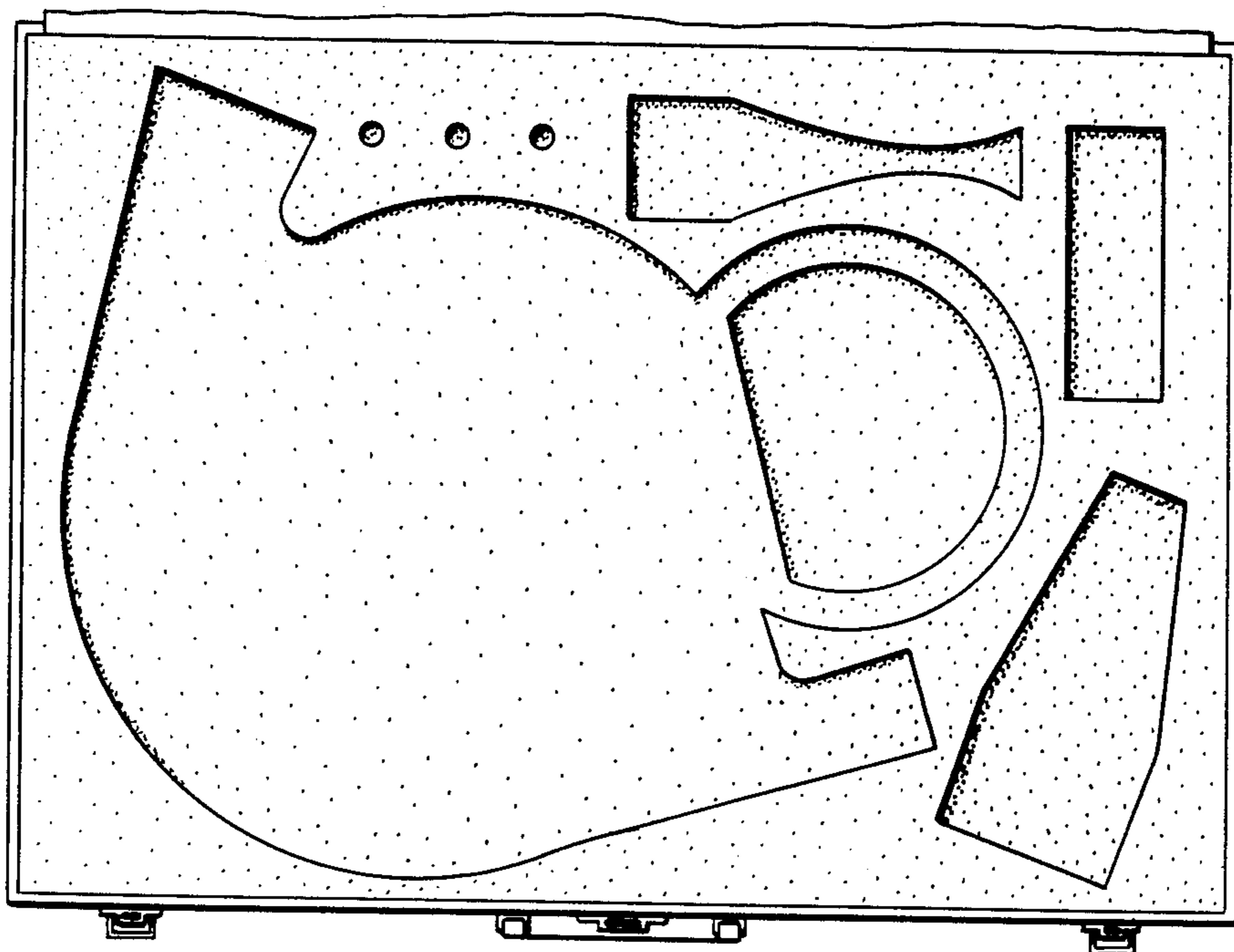


Fig. 2