

[54] GUITAR MACHINE

[75] Inventors: Robert Worthing; Lawrence Beattie, both of Pompano Beach, Fla.

[73] Assignee: Mark VI Enterprises, Inc., Pompano Beach, Fla.

[\*\*] Term: 14 Years

[21] Appl. No.: 700,563

[22] Filed: Jun. 28, 1976

[51] Int. Cl. .... D17-03

[52] U.S. Cl. .... D56/1 A

[58] Field of Search ..... D56/1 R, 1 A; 84/304-306, 267

[56] References Cited

U.S. PATENT DOCUMENTS

D. 210,981	5/1968	Thompson .....	D56/1 A
D. 216,049	11/1969	Dreyer .....	D56/1 A
389,958	9/1888	Fitch .....	84/305
4,014,239	3/1977	Spercel .....	84/306

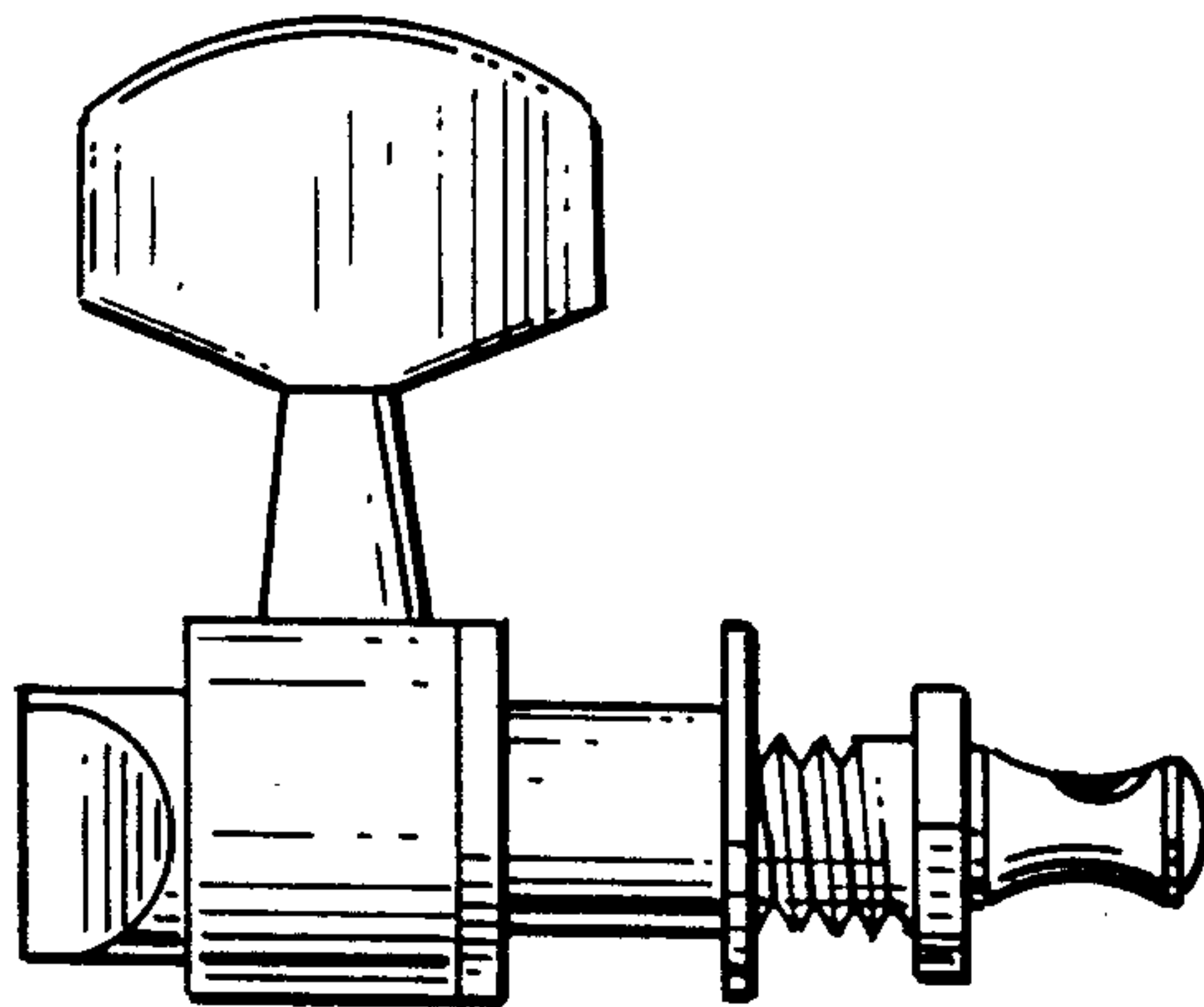
Primary Examiner—Joel Stearman  
Assistant Examiner—J. Corrigan  
Attorney, Agent, or Firm—Eugene F. Malin

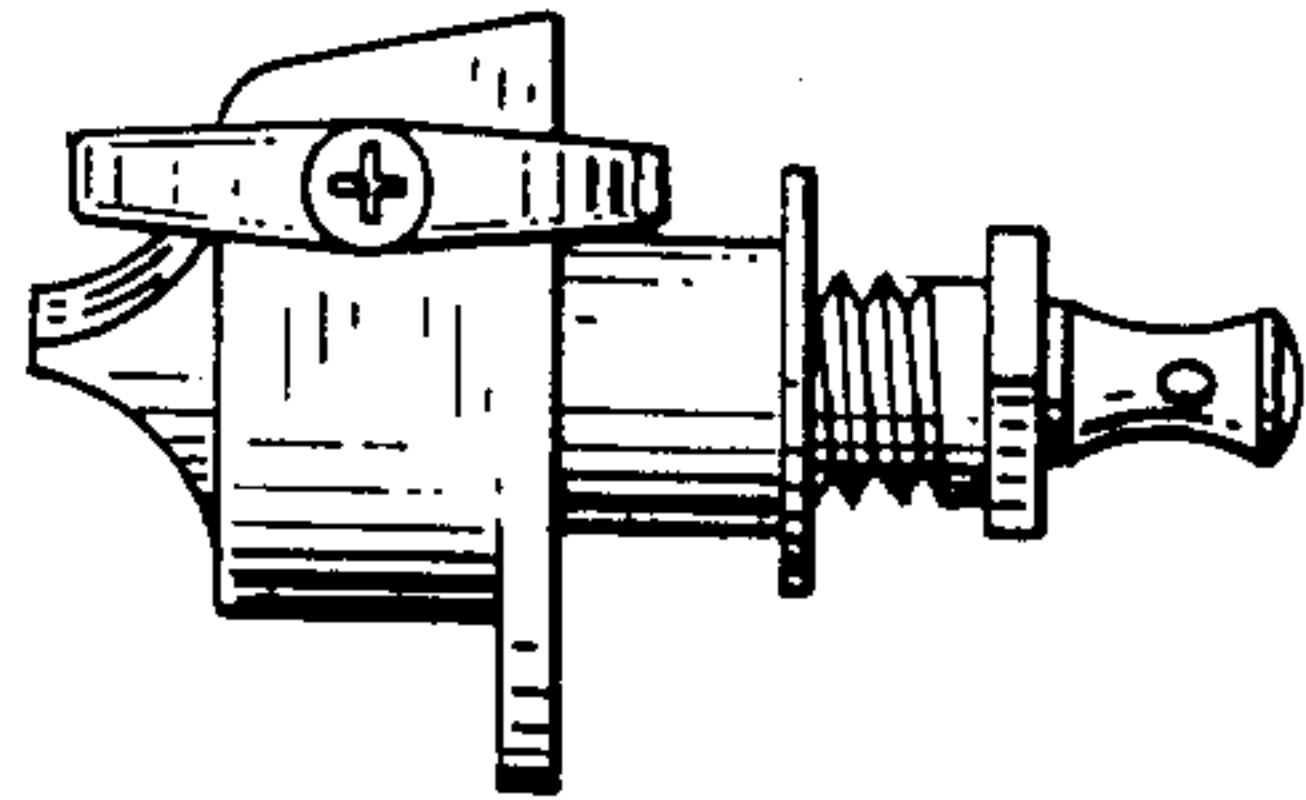
[57] CLAIM

The ornamental design for a guitar machine, substantially as shown and described.

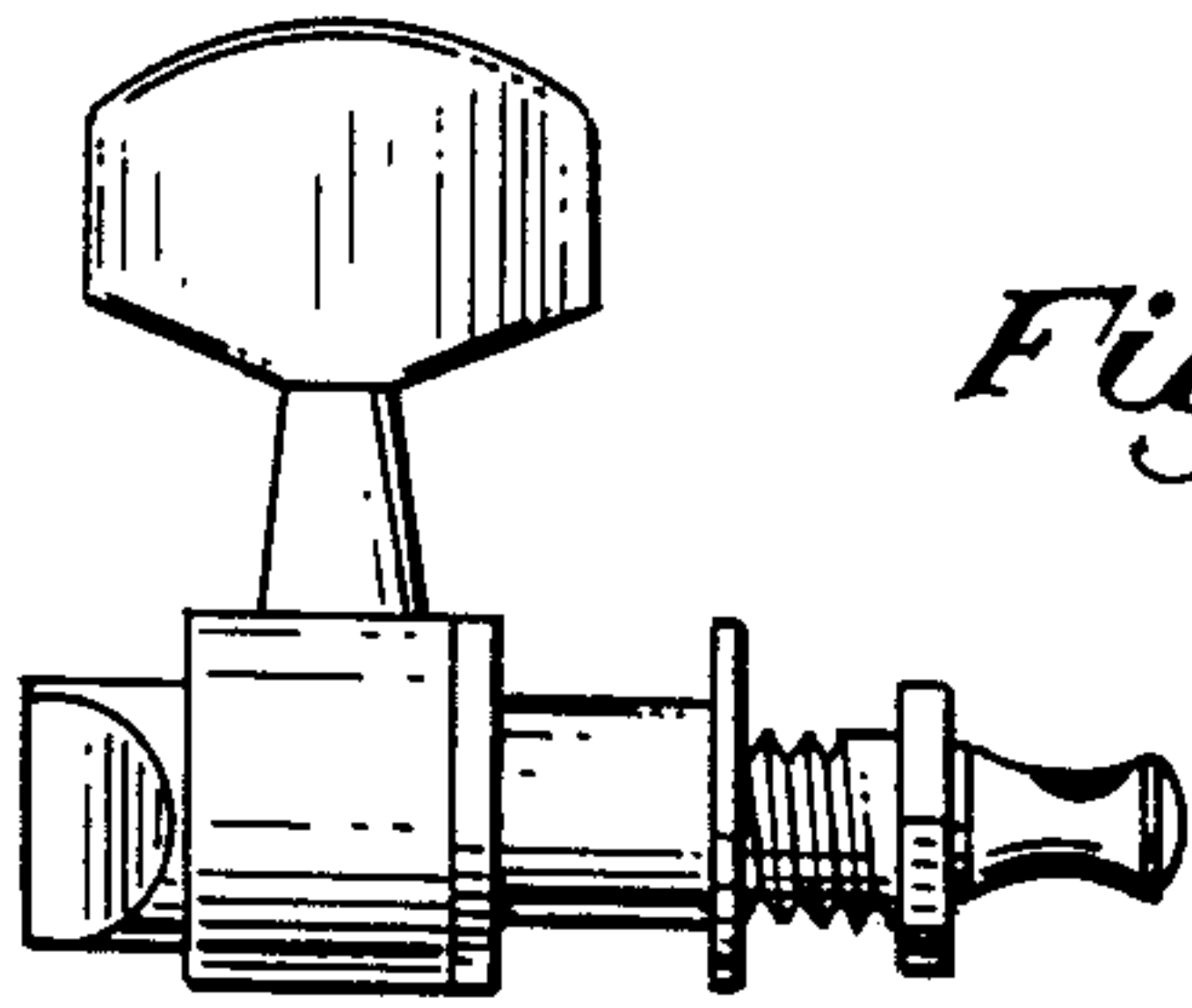
DESCRIPTION

FIG. 1 is a top plan view of a guitar machine showing our new design;  
FIG. 2 is a front elevational view;  
FIG. 3 is a rear elevational view;  
FIG. 4 is a right side elevational view;  
FIG. 5 is a left side elevational view; and  
FIG. 6 is a bottom plan view.

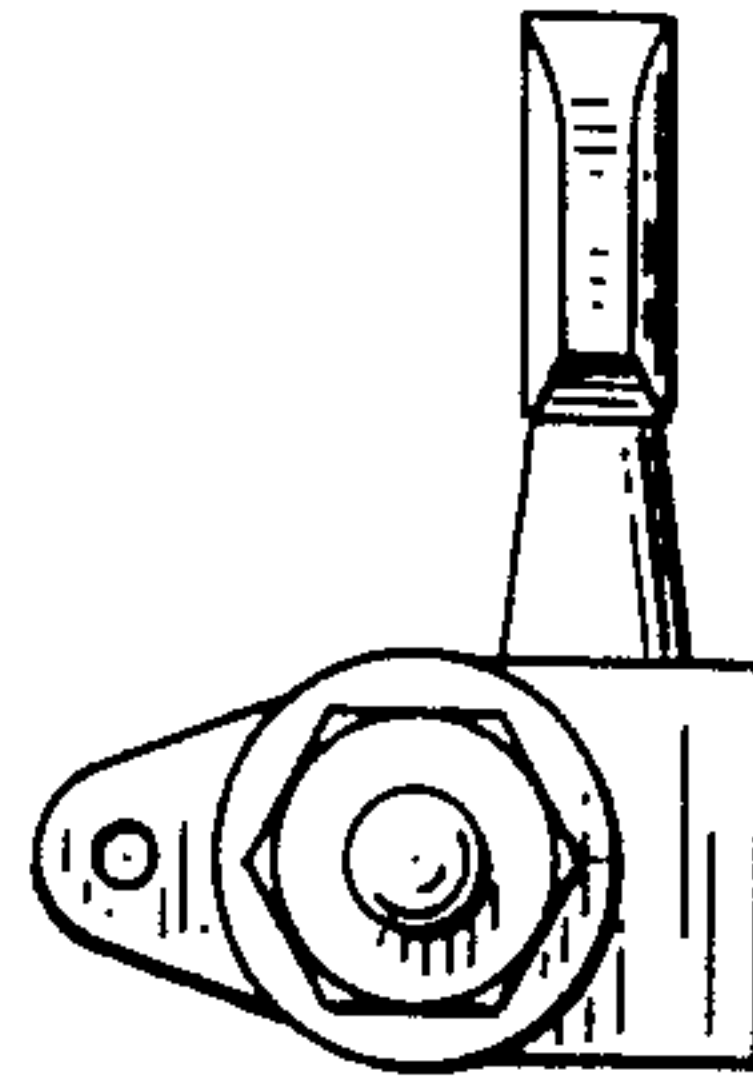




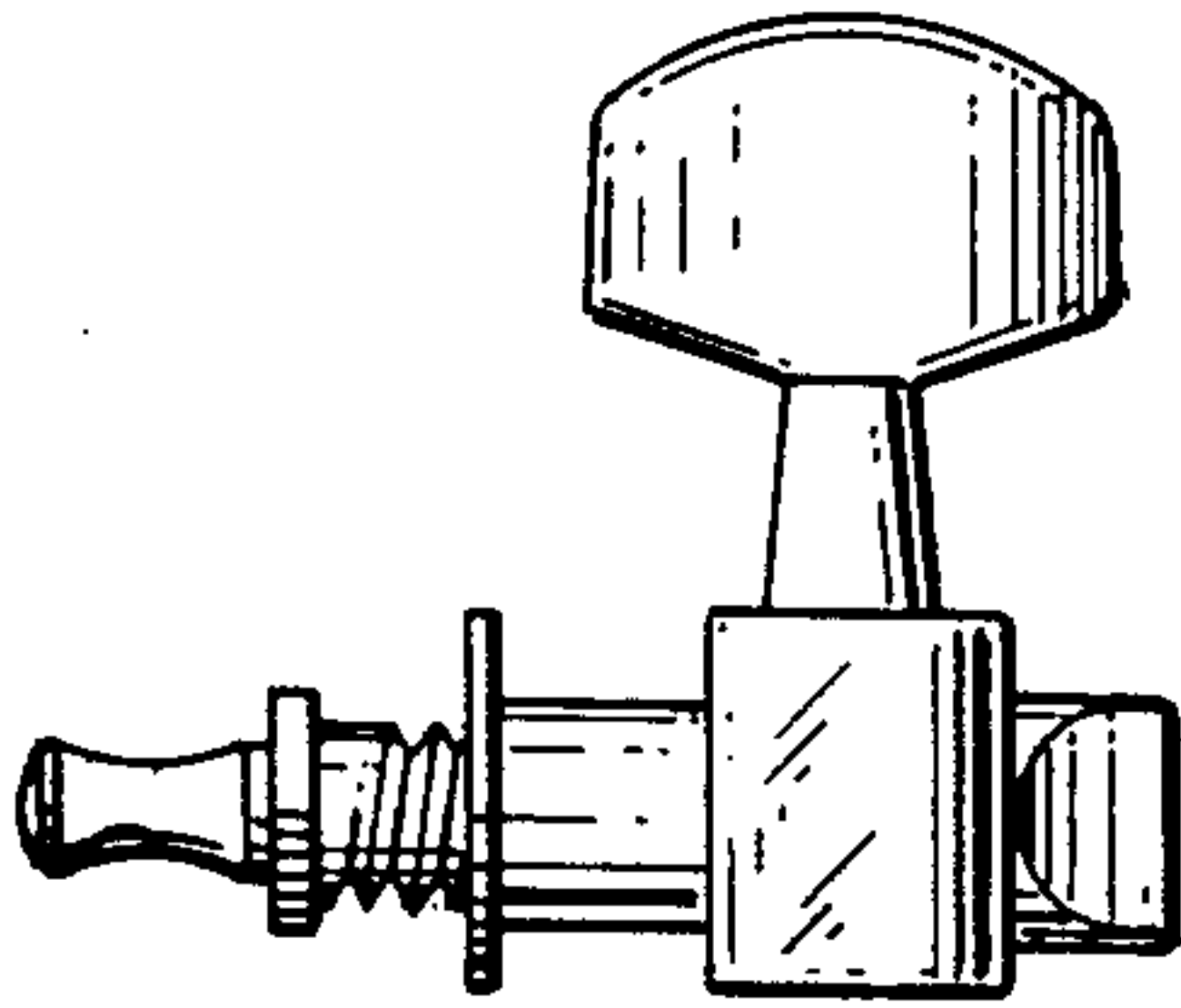
*Fig. 1.*



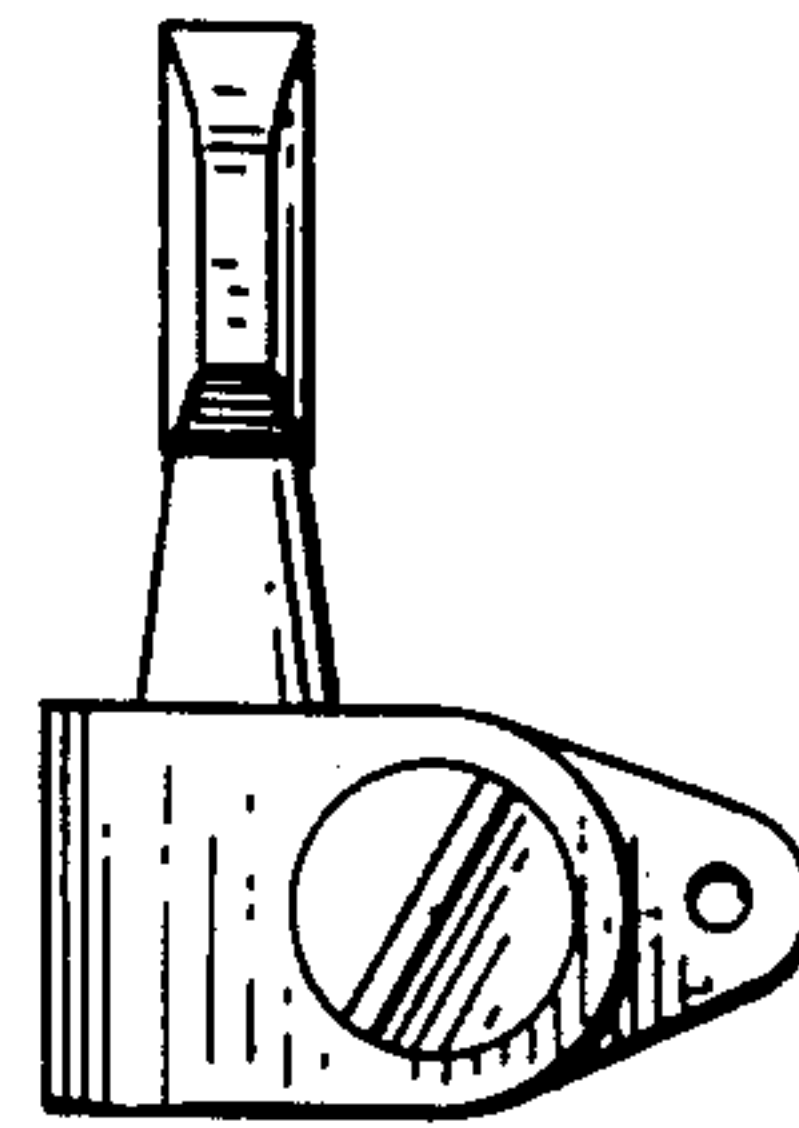
*Fig. 2.*



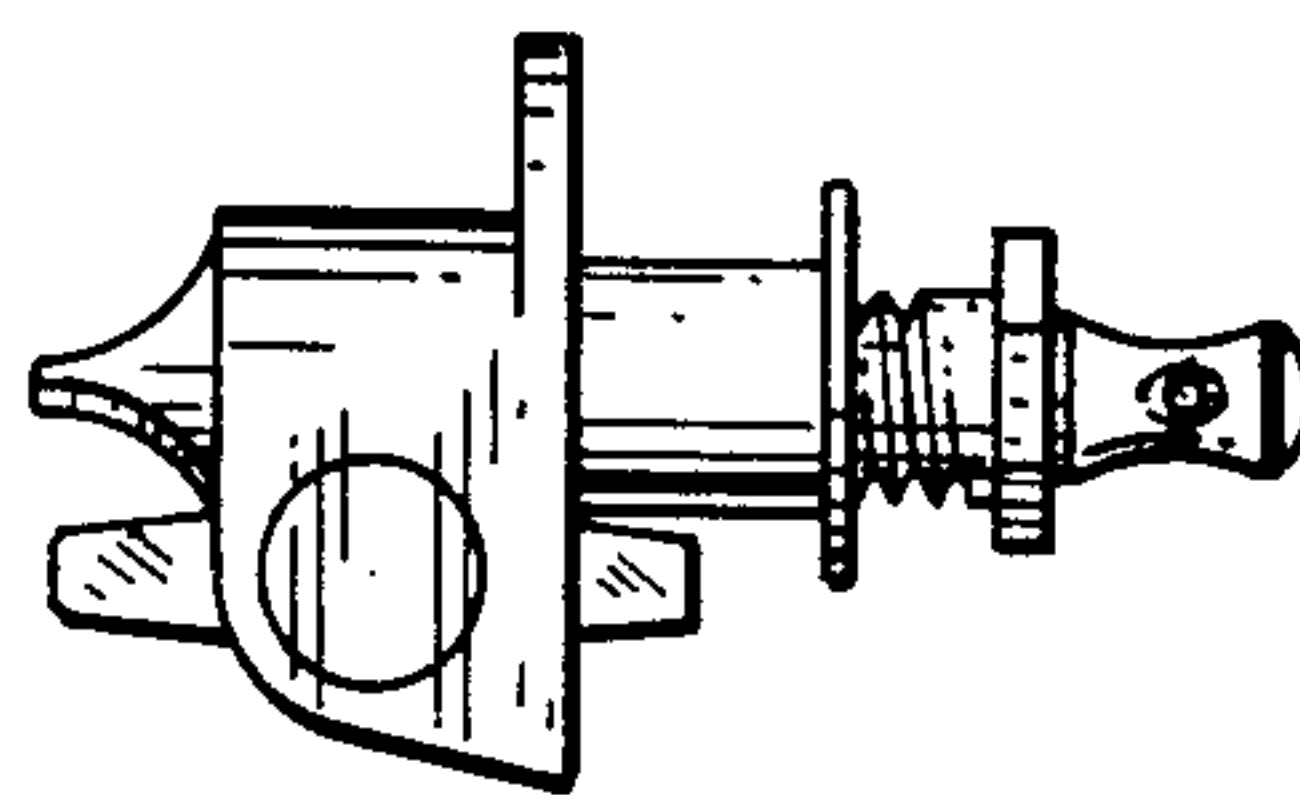
*Fig. 4.*



*Fig. 3.*



*Fig. 5.*



*Fig. 6.*