

[54] COMBINED TOY LOADER AND FIGURE THEREFOR

[75] Inventor: George W. Dunbar, Nashville, Tenn.

[73] Assignee: Kusan, Inc., Nashville, Tenn.

[\*\*] Term: 14 Years

[21] Appl. No.: 731,441

[22] Filed: Oct. 18, 1976

[51] Int. Cl. .... D21-01

[52] U.S. Cl. .... D34/15 AN; D34/15 AJ

[58] Field of Search ..... D15/10, 23, 25; D34/15 AJ, 15 AM, 15 AN; 46/201, 202, 206, 210, 214, 222; D12/14, 15

[56] References Cited

U.S. PATENT DOCUMENTS

D. 184,241 1/1959 Painter ..... D15/25  
2,535,727 12/1950 Dingley ..... D15/25

OTHER PUBLICATIONS

Bobcat Catalog, 7-1970, Earth Mover.  
Toys, 2-1976, p. 43, Chunky Fire Truck.

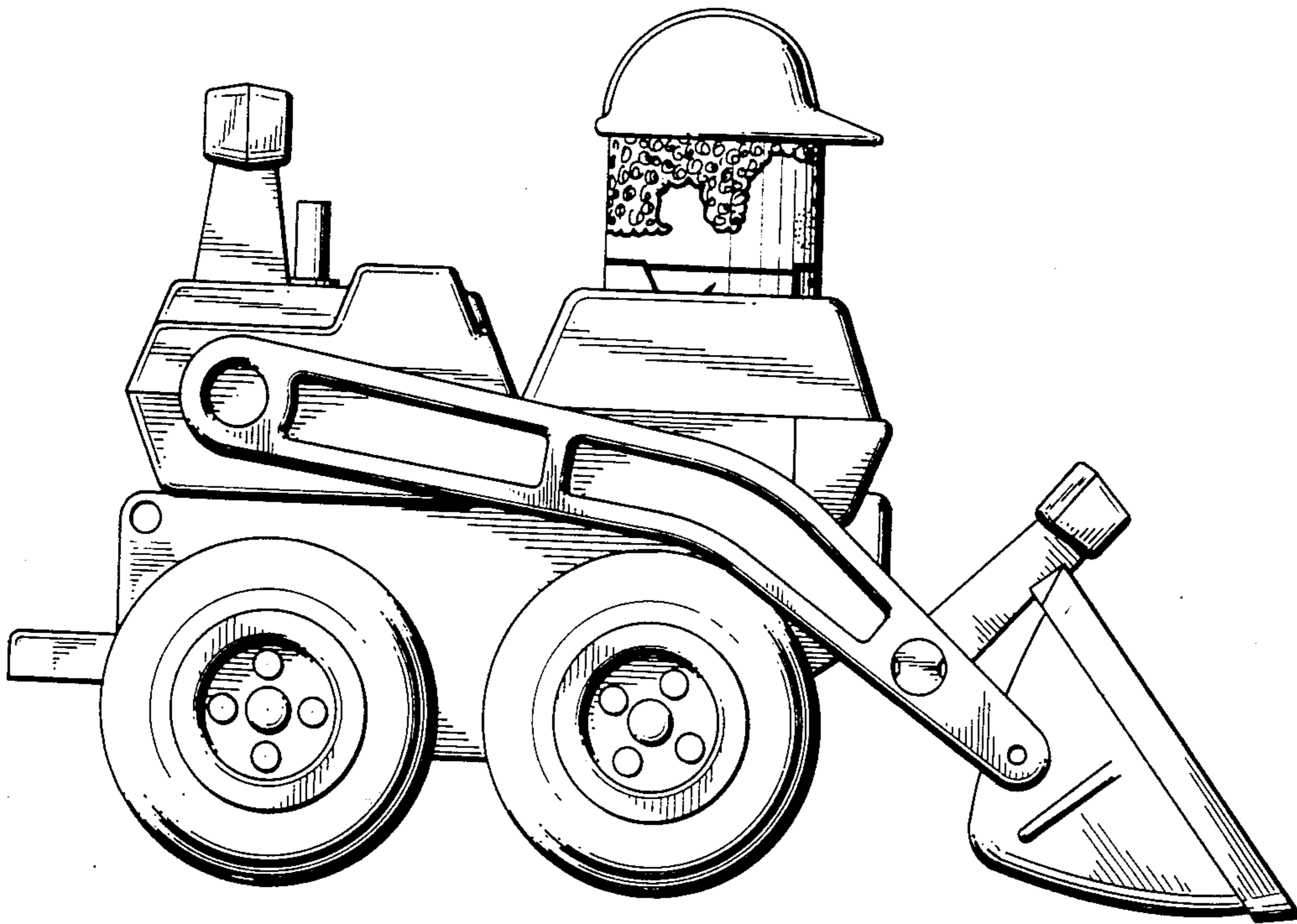
Primary Examiner—Joel Stearman  
Assistant Examiner—C. A. Rademaker  
Attorney, Agent, or Firm—Raymond N. Matson

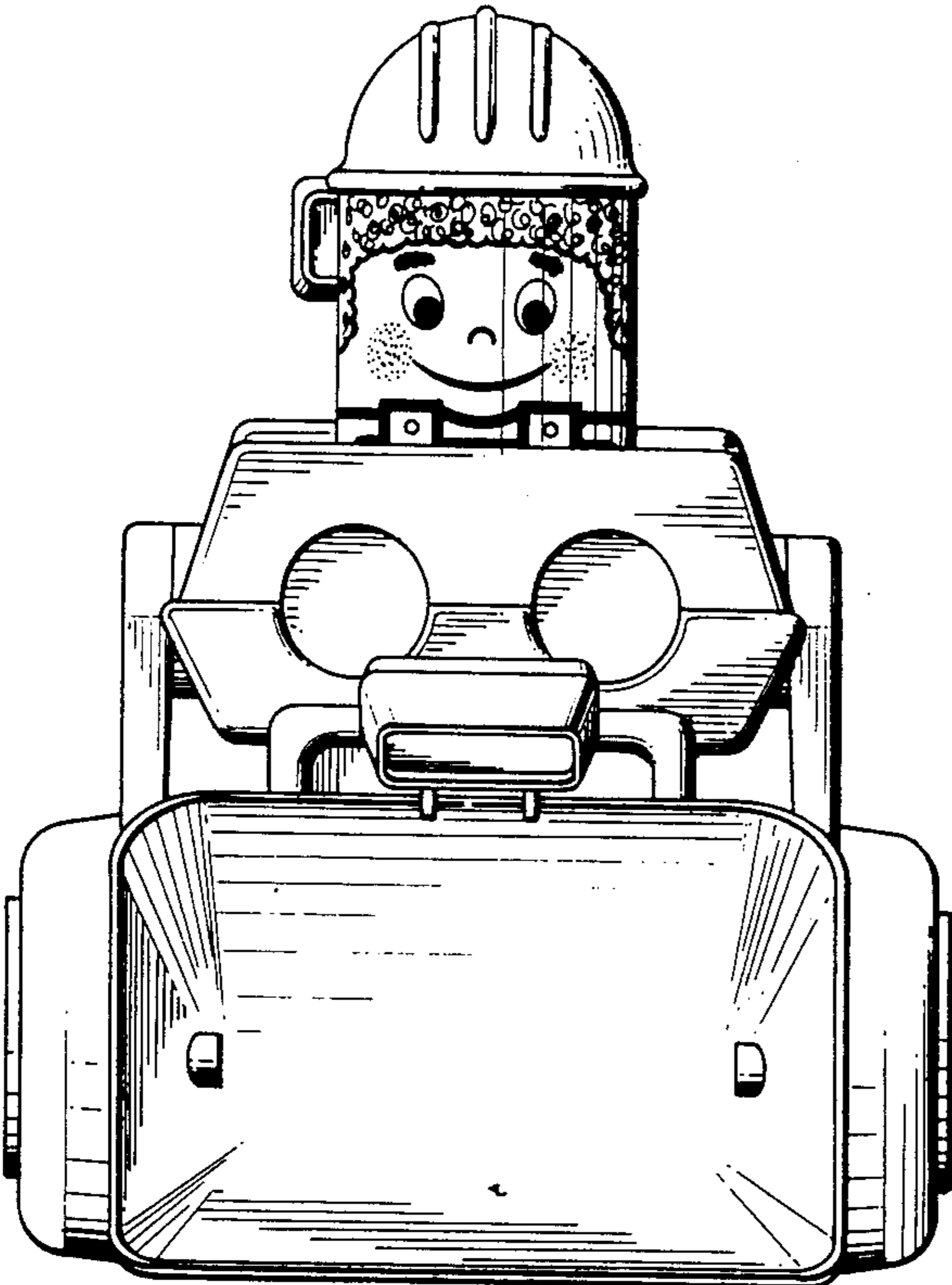
[57] CLAIM

The ornamental design for a combined toy loader and figure therefor, as shown and described.

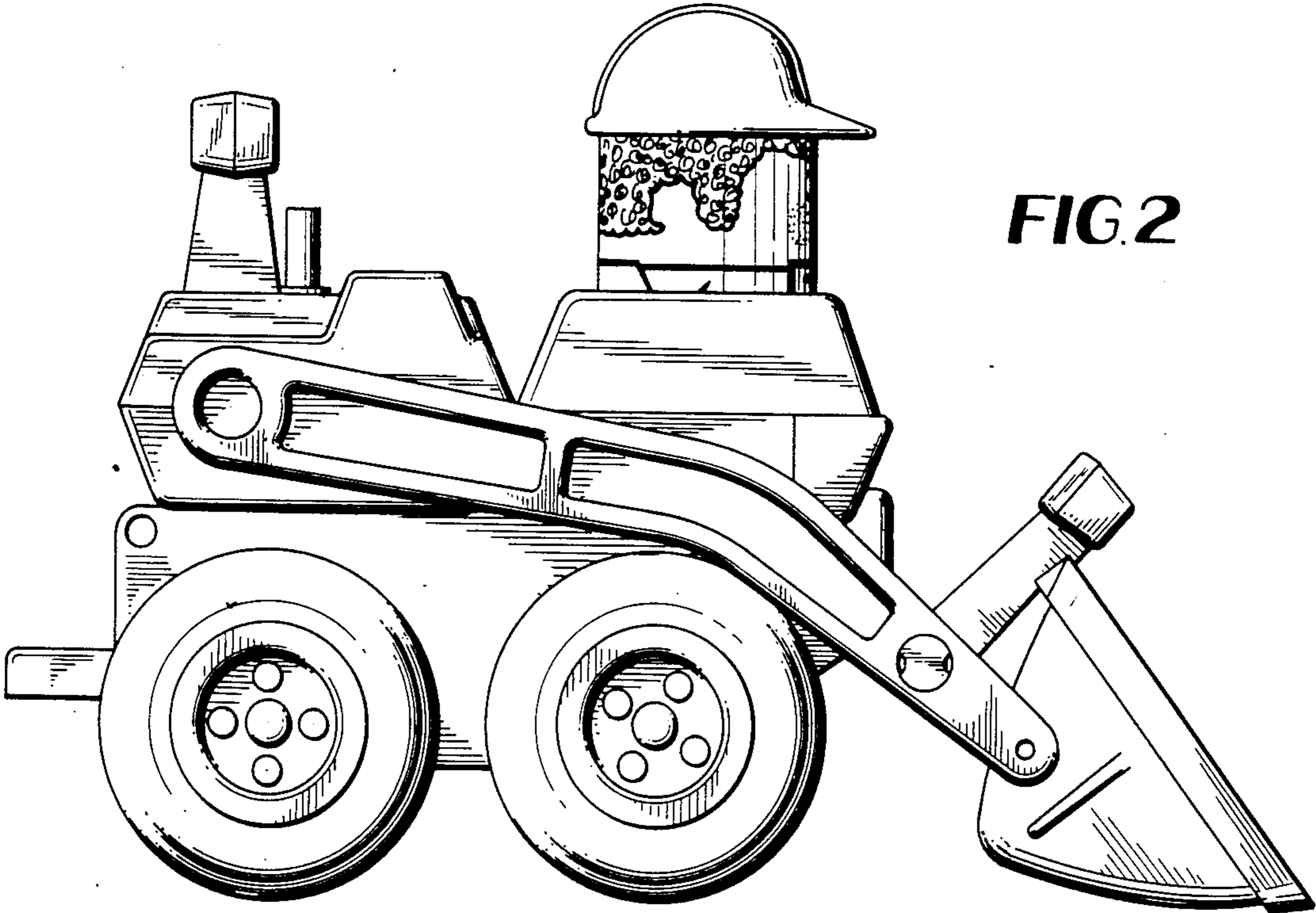
DESCRIPTION

FIG. 1 is a front elevational view of a combined toy loader and figure therefor, showing my new design; FIG. 2 is a right side elevational view thereof; FIG. 3 is a left side elevational view thereof with the scoop member in an elevated position; FIG. 4 is a left side elevational view thereof with the scoop member in an alternate position; FIG. 5 is a top plan view thereof; and FIG. 6 is a rear elevational view thereof.

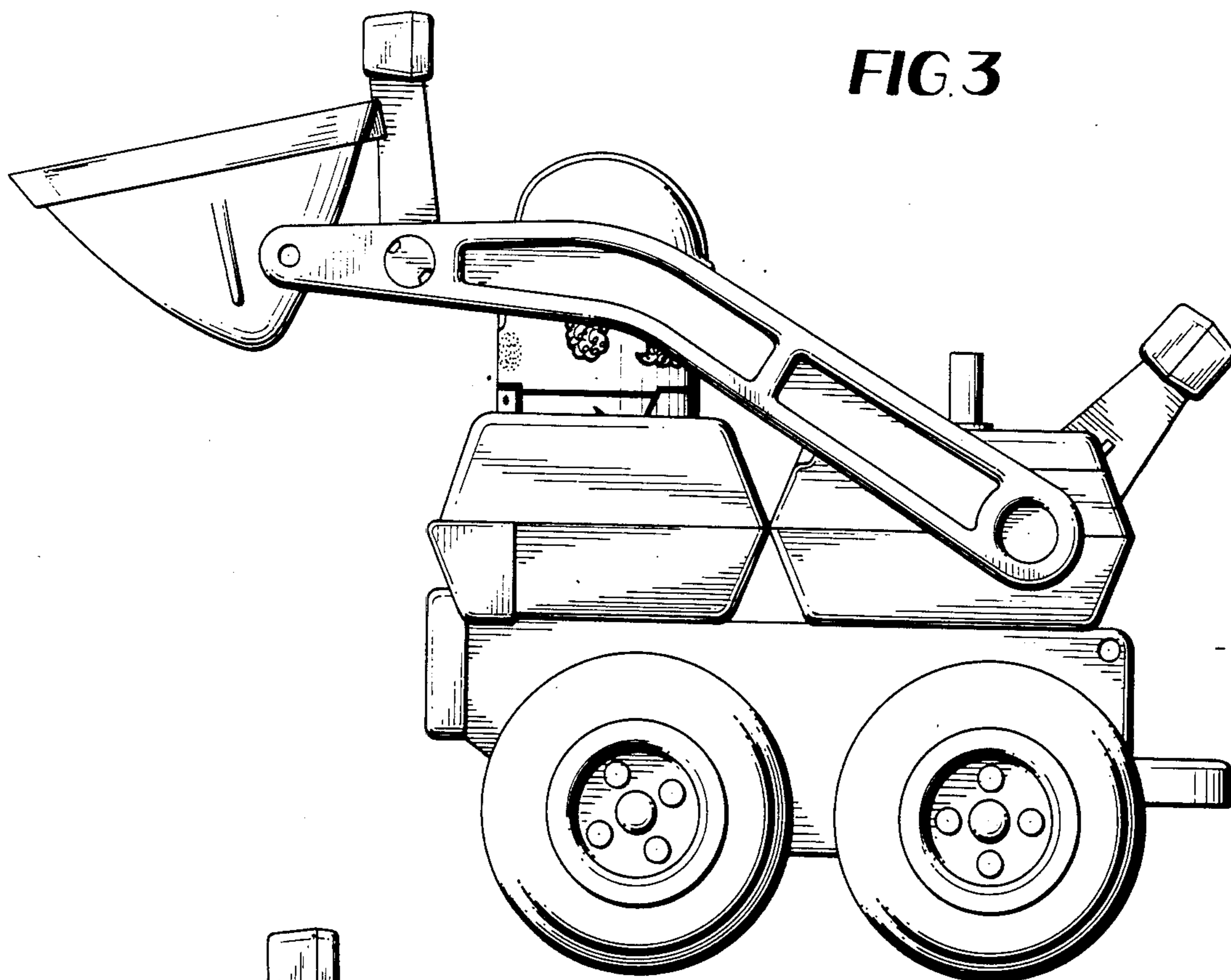




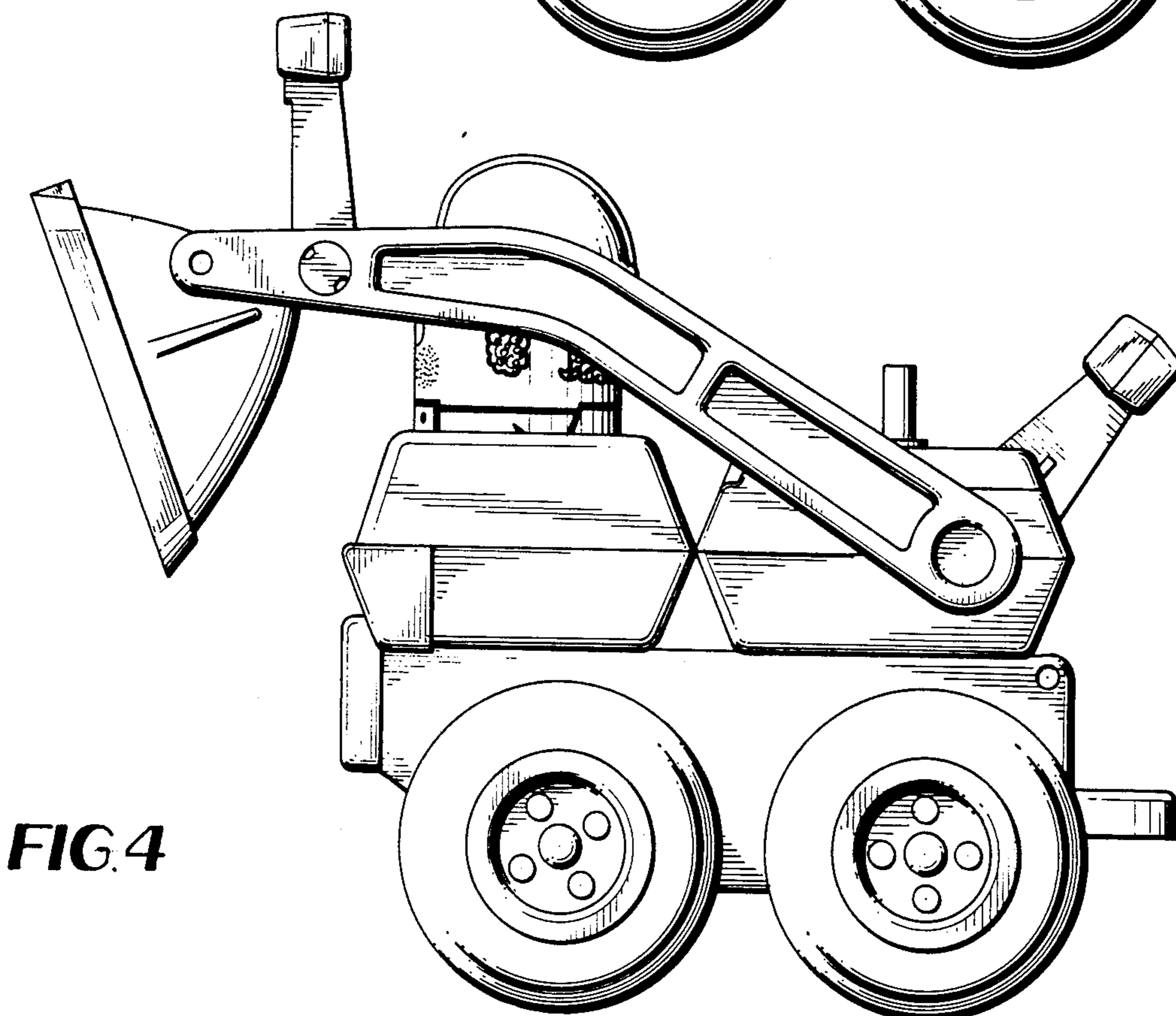
**FIG. 1**



**FIG. 2**



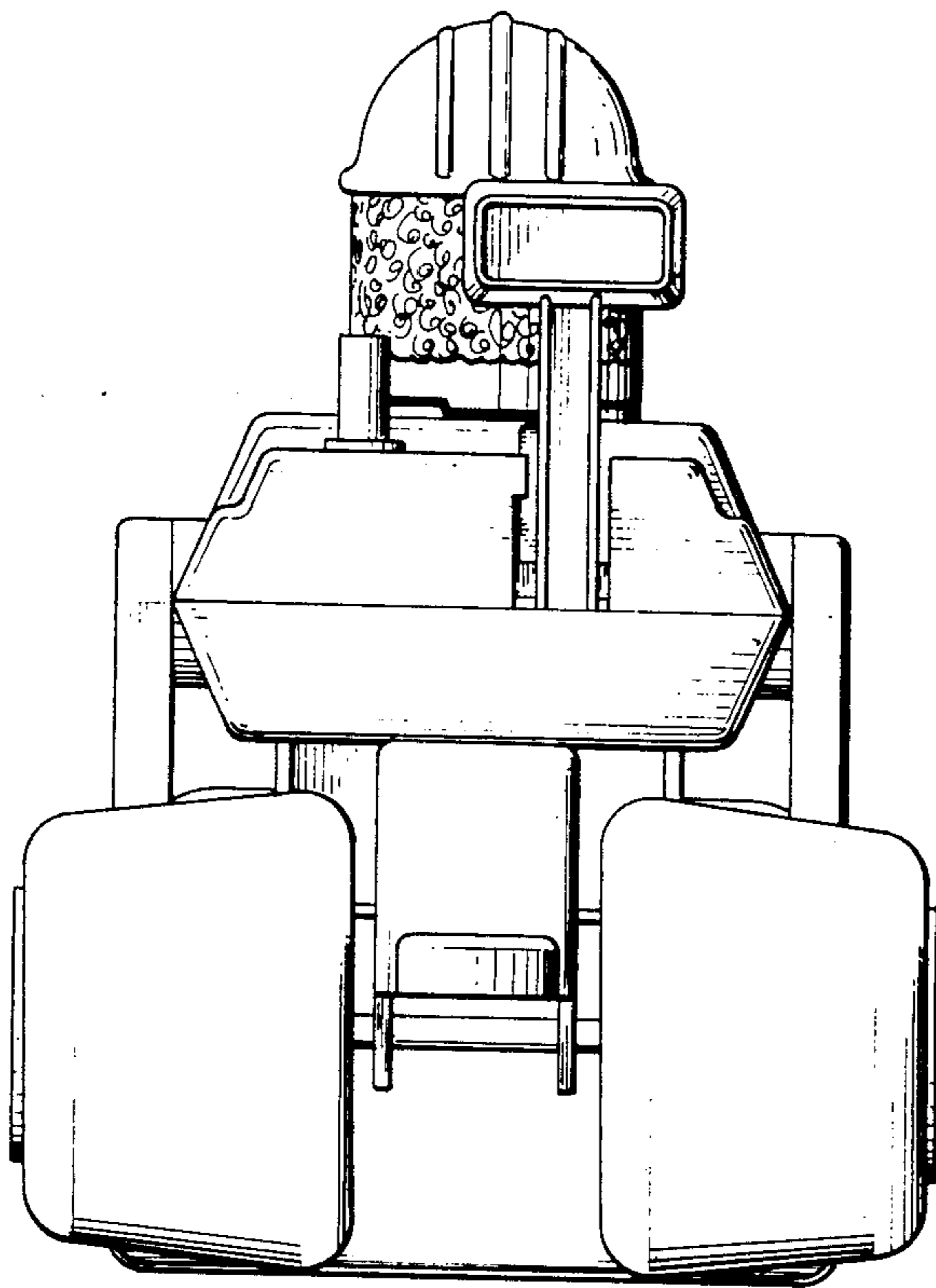
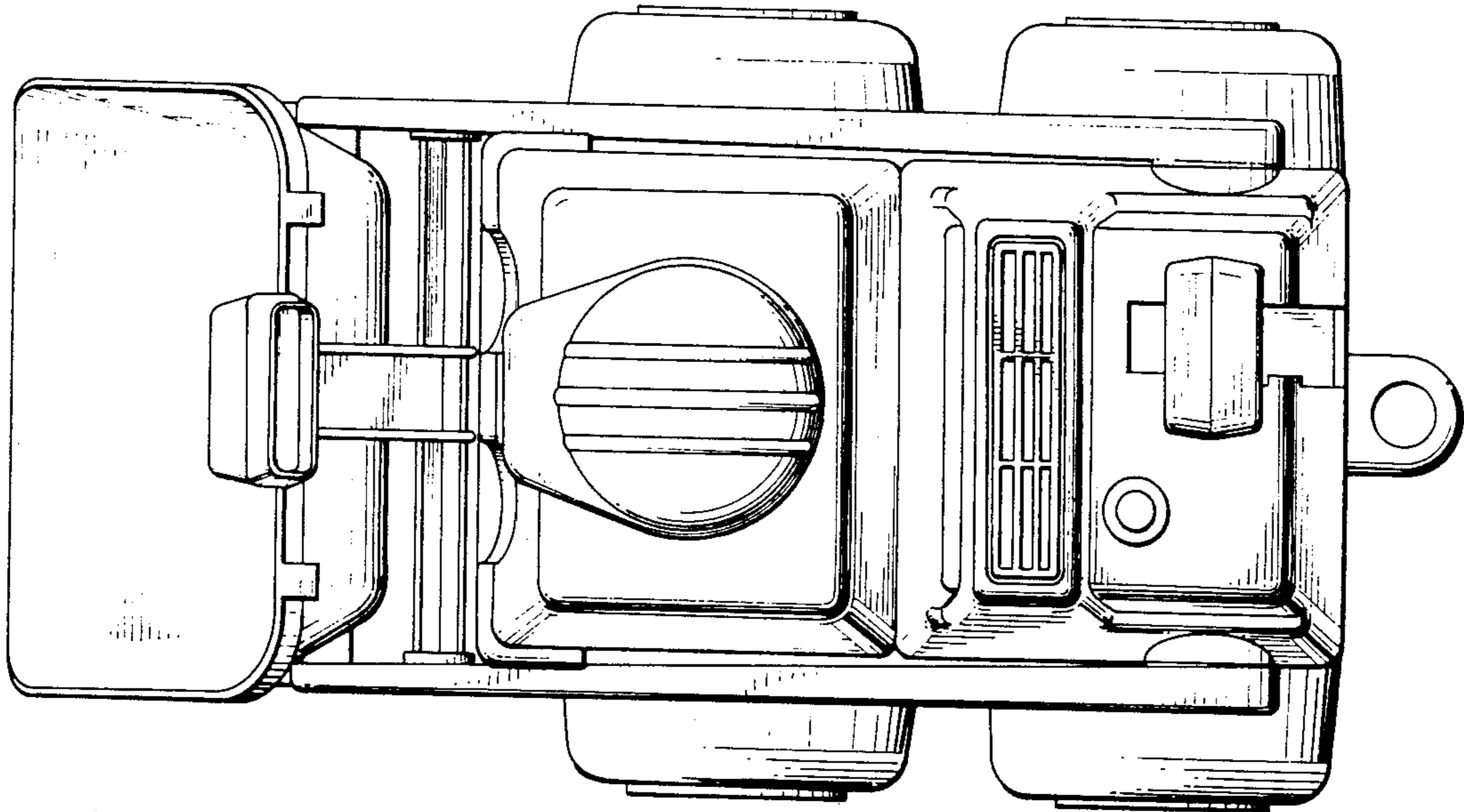
**FIG. 3**



**FIG. 4**



**FIG. 5**



**FIG. 6**