

[54] HORSE FOOT PICK  
 [76] Inventor: Carlo J. Moran, 434 Cinnabar, Dallas, Tex. 75227  
 [\*\*] Term: 14 Years  
 [21] Appl. No.: 826,937  
 [22] Filed: Aug. 22, 1977  
 [51] Int. Cl.<sup>2</sup> ..... D30-99  
 [52] U.S. Cl. .... D30/99; 168/48 R  
 [58] Field of Search ..... D30/13-99; 168/48

274,570 3/1883 Davis ..... 168/48  
 490,474 1/1893 Faestl ..... 168/48  
 541,474 6/1895 Schenek ..... 168/48  
 544,540 8/1895 Jones ..... 168/48

Primary Examiner—James R. Largen  
 Attorney, Agent, or Firm—Howard E. Moore

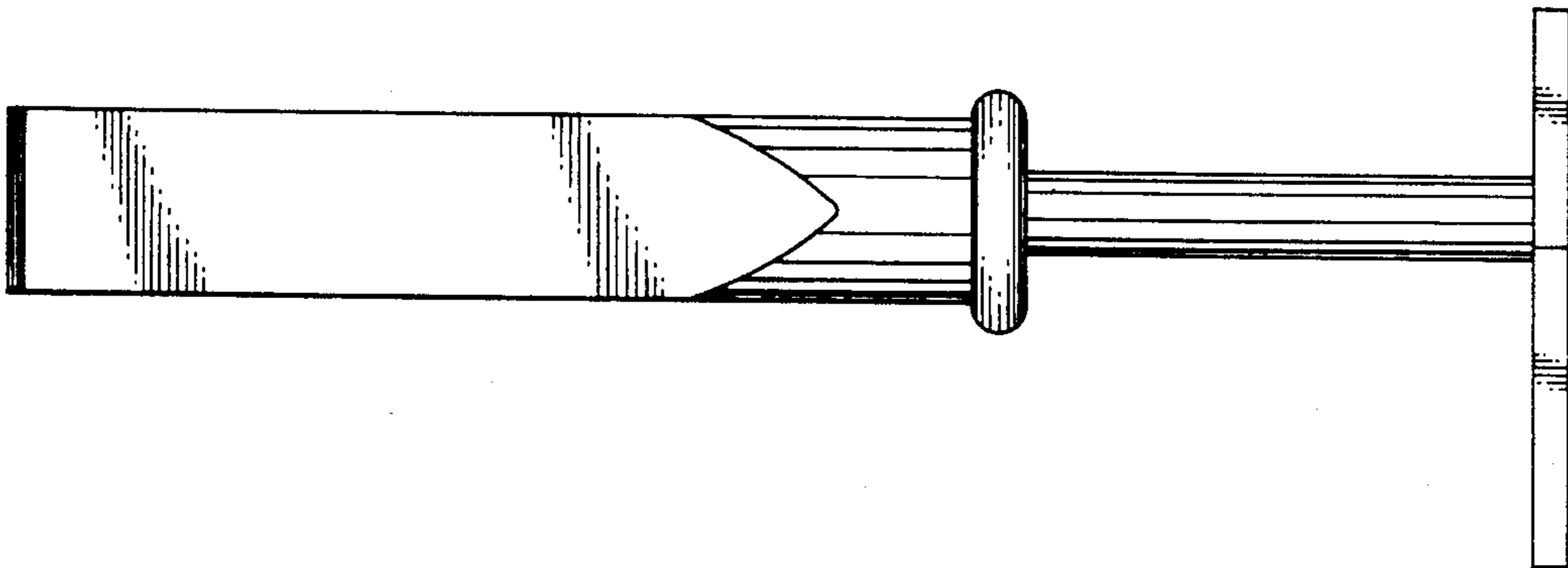
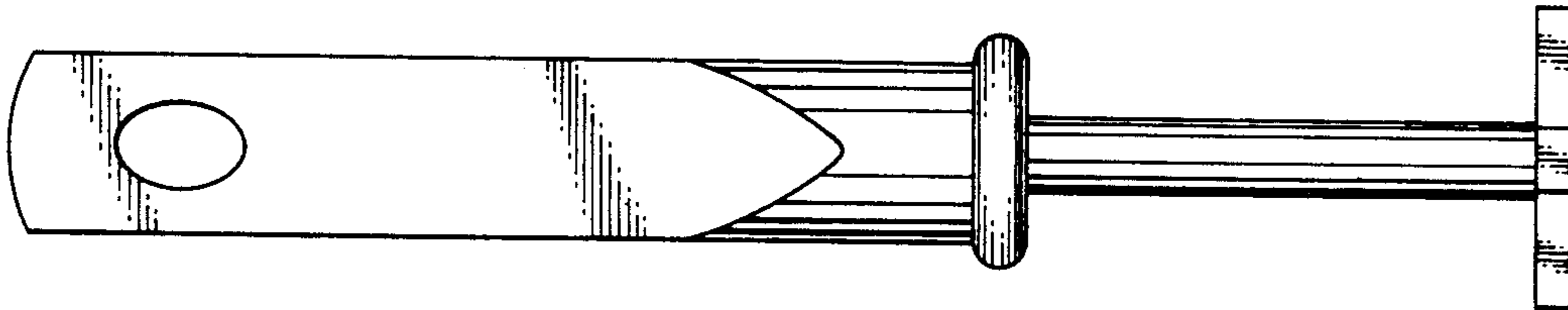
[57] CLAIM

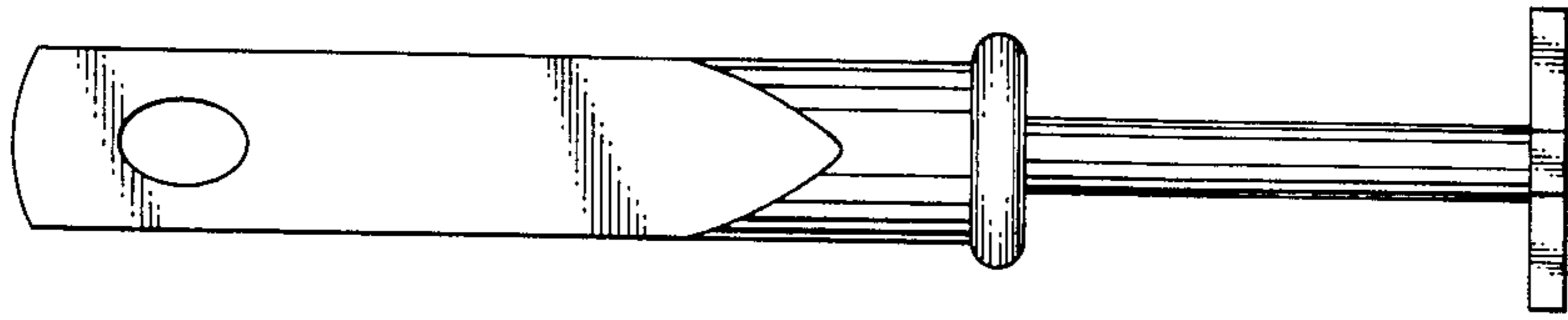
The ornamental design for a horse foot pick, substantially as shown.

DESCRIPTION

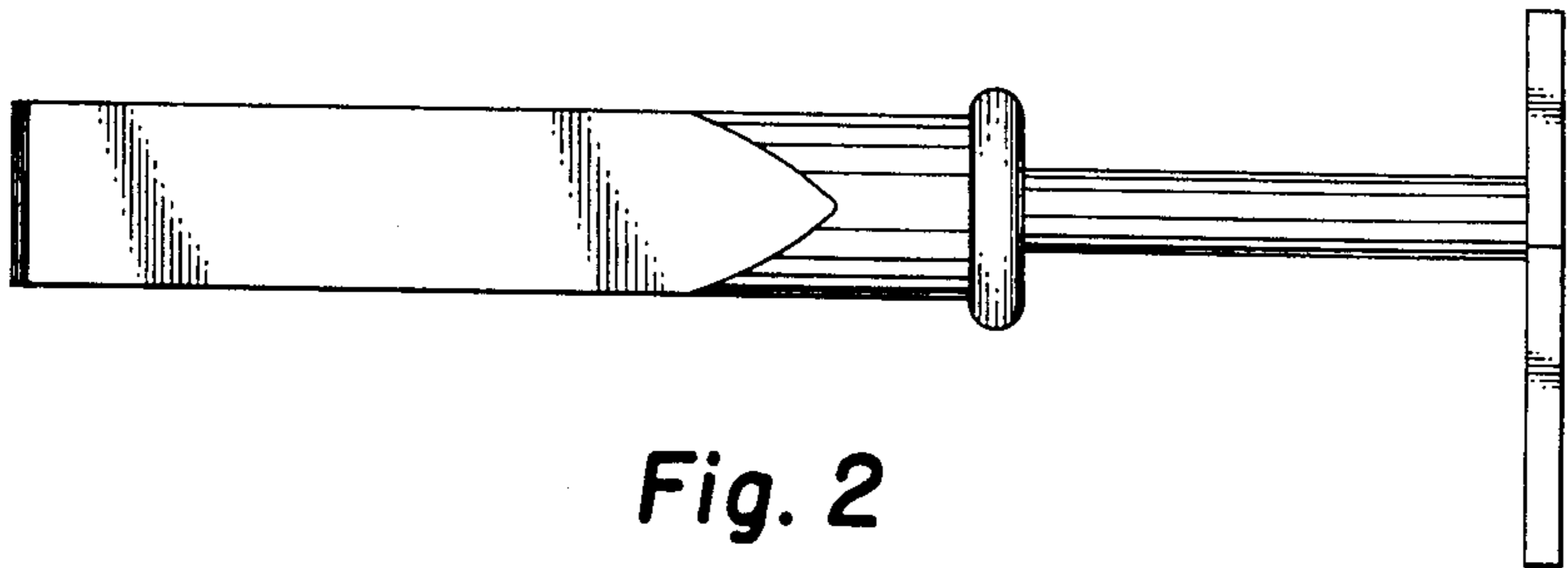
FIG. 1 is a top plan view of horse foot pick showing my new design;  
 FIG. 2 is a left side elevational view thereof;  
 FIG. 3 is a right side elevational view thereof;  
 FIG. 4 is bottom plan view thereof;  
 FIG. 5 is a rear elevational view thereof; and  
 FIG. 6 is a front elevational view thereof.

[56] References Cited  
 U.S. PATENT DOCUMENTS  
 D. 25,866 8/1896 Pinkerman ..... D30/99  
 176,768 5/1876 Blakelee ..... 168/48  
 D. 243,541 3/1977 Cullen ..... D30/40

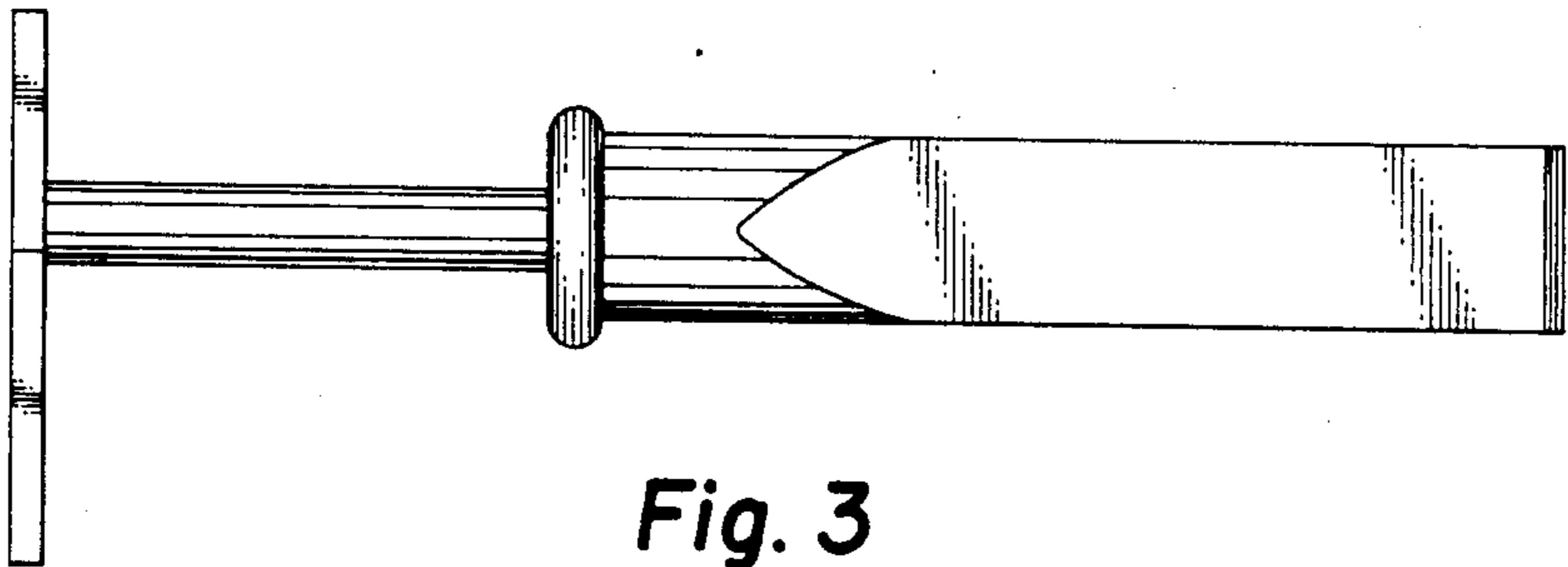




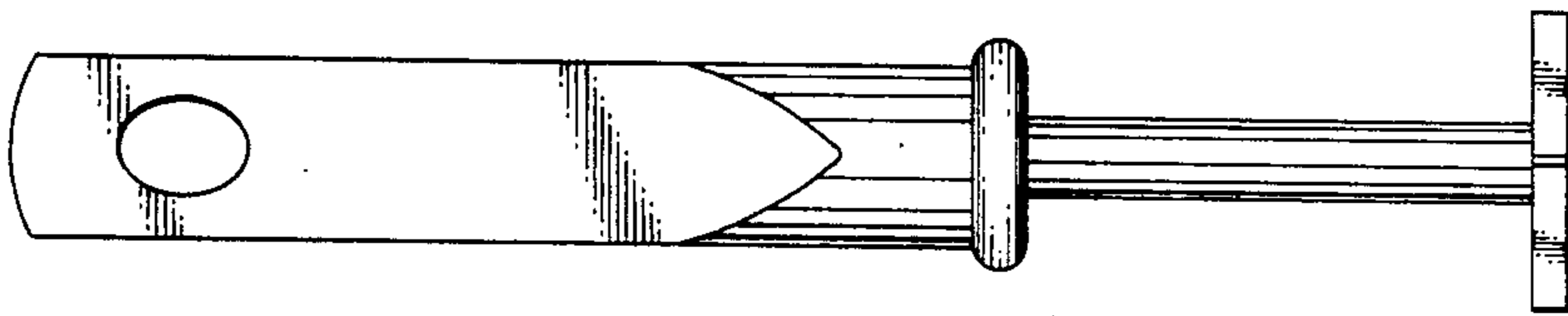
*Fig. 1*



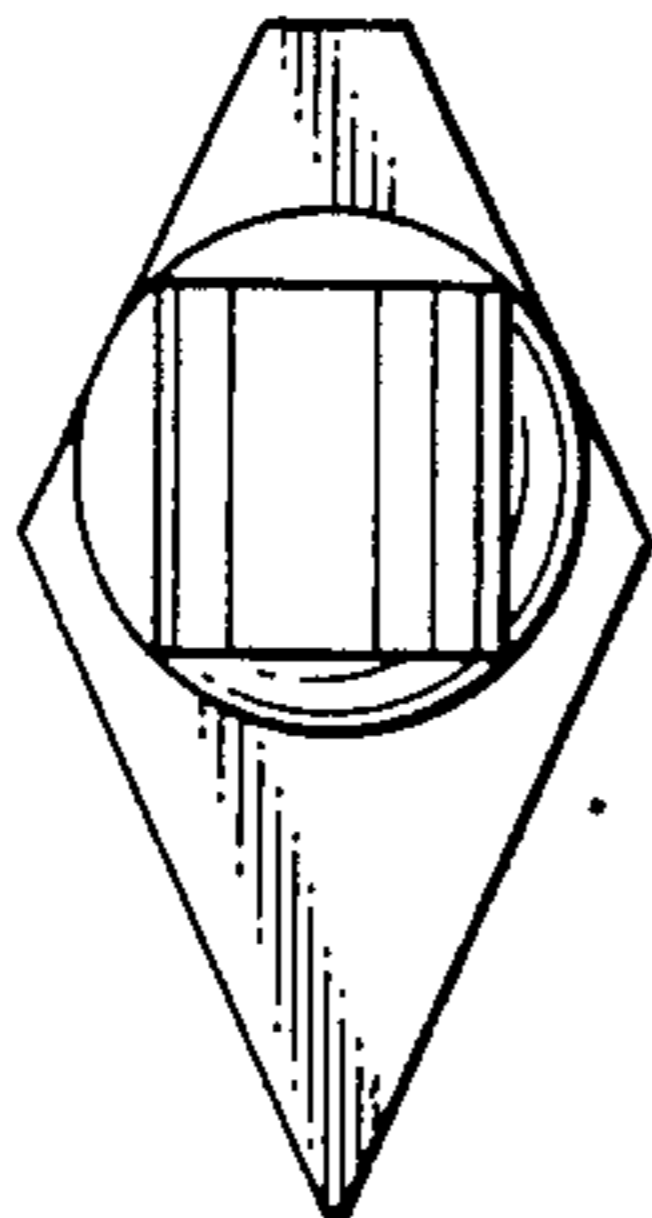
*Fig. 2*



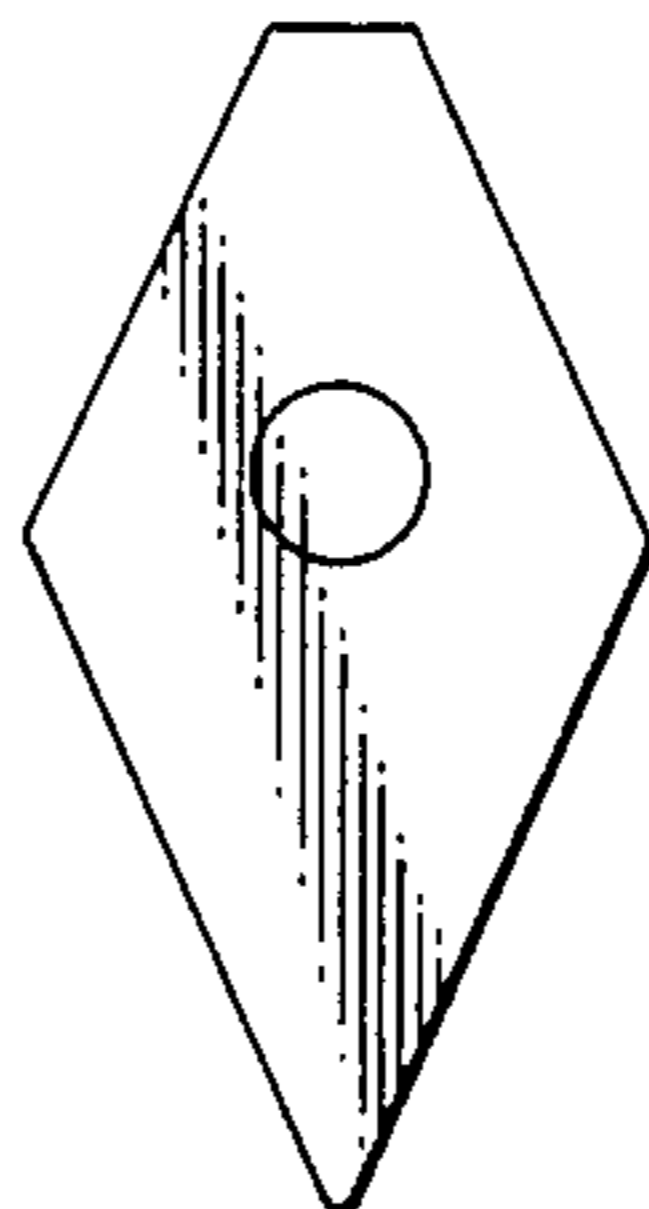
*Fig. 3*



*Fig. 4*



*Fig. 5*



*Fig. 6*