

[54] CALF PULLER BUTT YOKE
 [76] Inventor: Frank Kratky, Rist Canyon Rte.,
 Bellvue, Colo. 80512
 [**] Term: 14 Years
 [21] Appl. No.: 804,181
 [22] Filed: Jun. 6, 1977
 [51] Int. Cl. D30-99
 [52] U.S. Cl. D30/99
 [58] Field of Search 128/352

2,868,207 1/1959 Horst 128/352
 3,868,958 3/1975 Rariek 128/352
 3,955,582 5/1976 Pierce 128/352

Primary Examiner—James R. Largen
 Attorney, Agent, or Firm—Hugh H. Drake

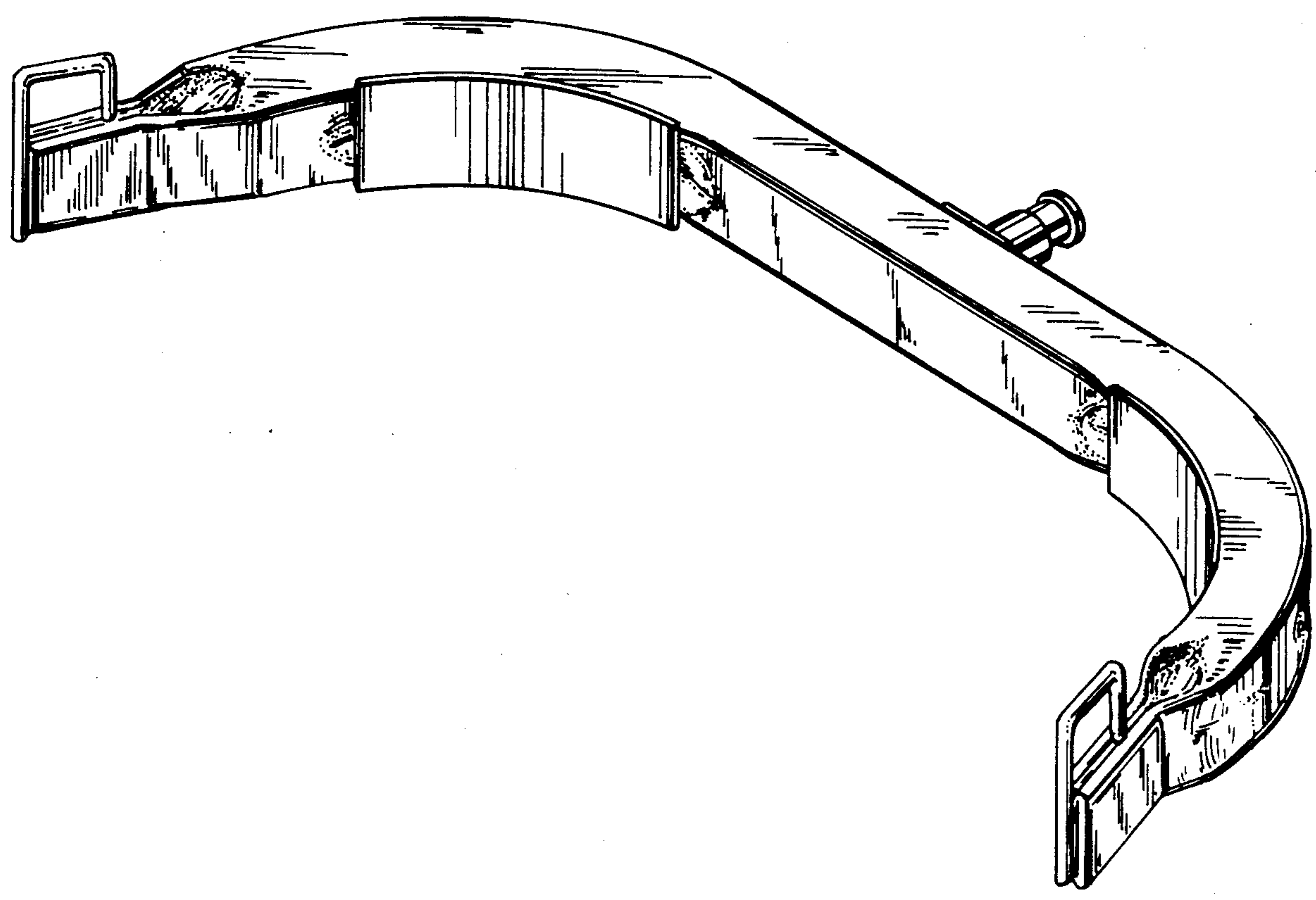
[57] CLAIM

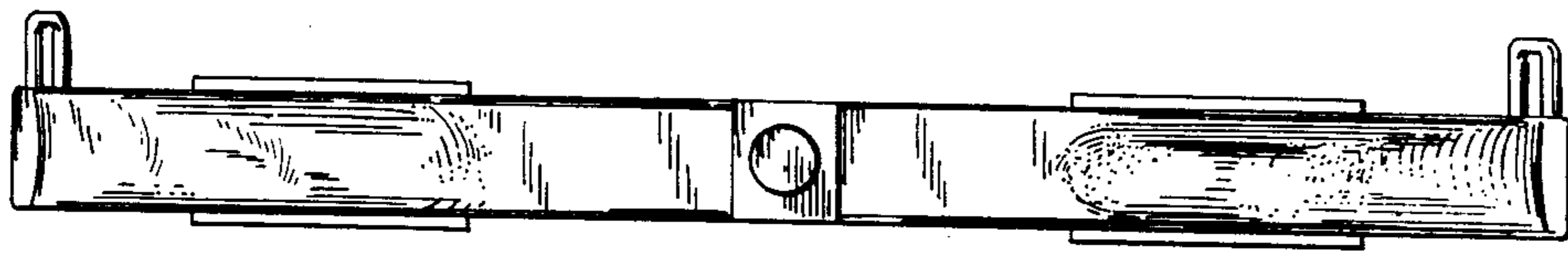
The ornamental design for a calf puller butt yoke, as shown.

DESCRIPTION

FIG. 1 is a perspective view of a calf puller butt yoke embodying the new design;
 FIG. 2 is an end elevational view thereof;
 FIG. 3 is a front elevational view thereof;
 FIG. 4 is a rear elevational view thereof;
 FIG. 5 is a top plan view thereof; and
 FIG. 6 is a bottom plan view thereof.

[56] References Cited
 U.S. PATENT DOCUMENTS
 2,522,508 9/1950 Frank 128/352
 2,654,368 10/1953 Matteson, Jr. 128/352
 2,791,219 5/1957 Bowie 128/352

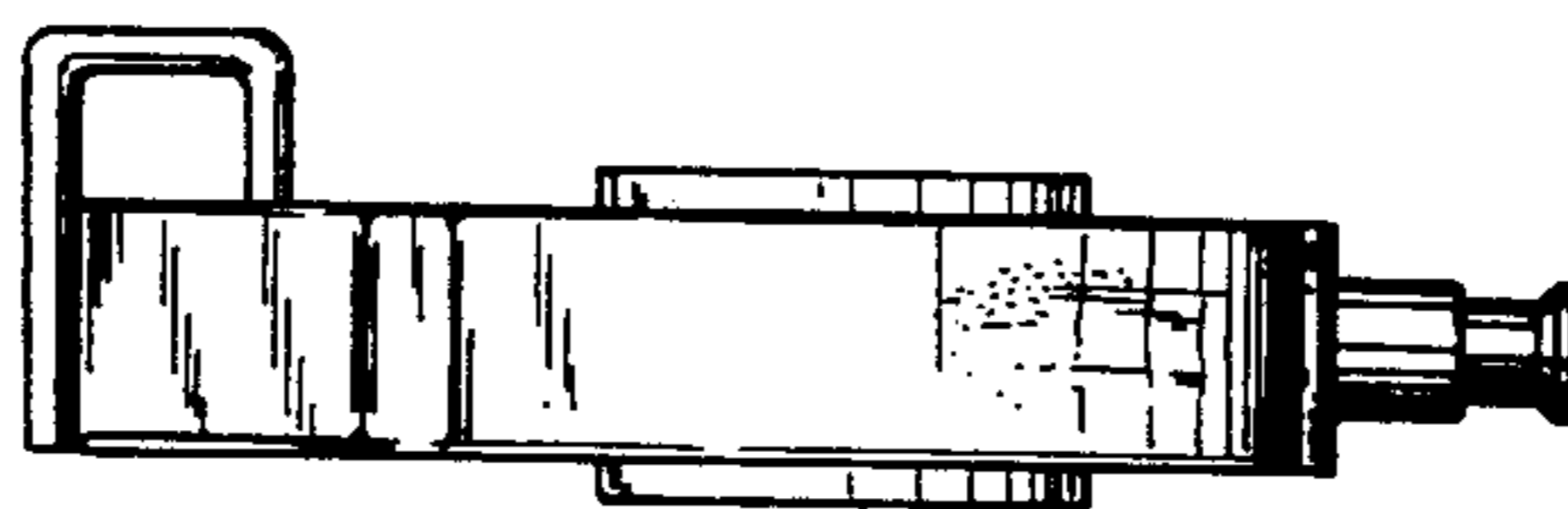




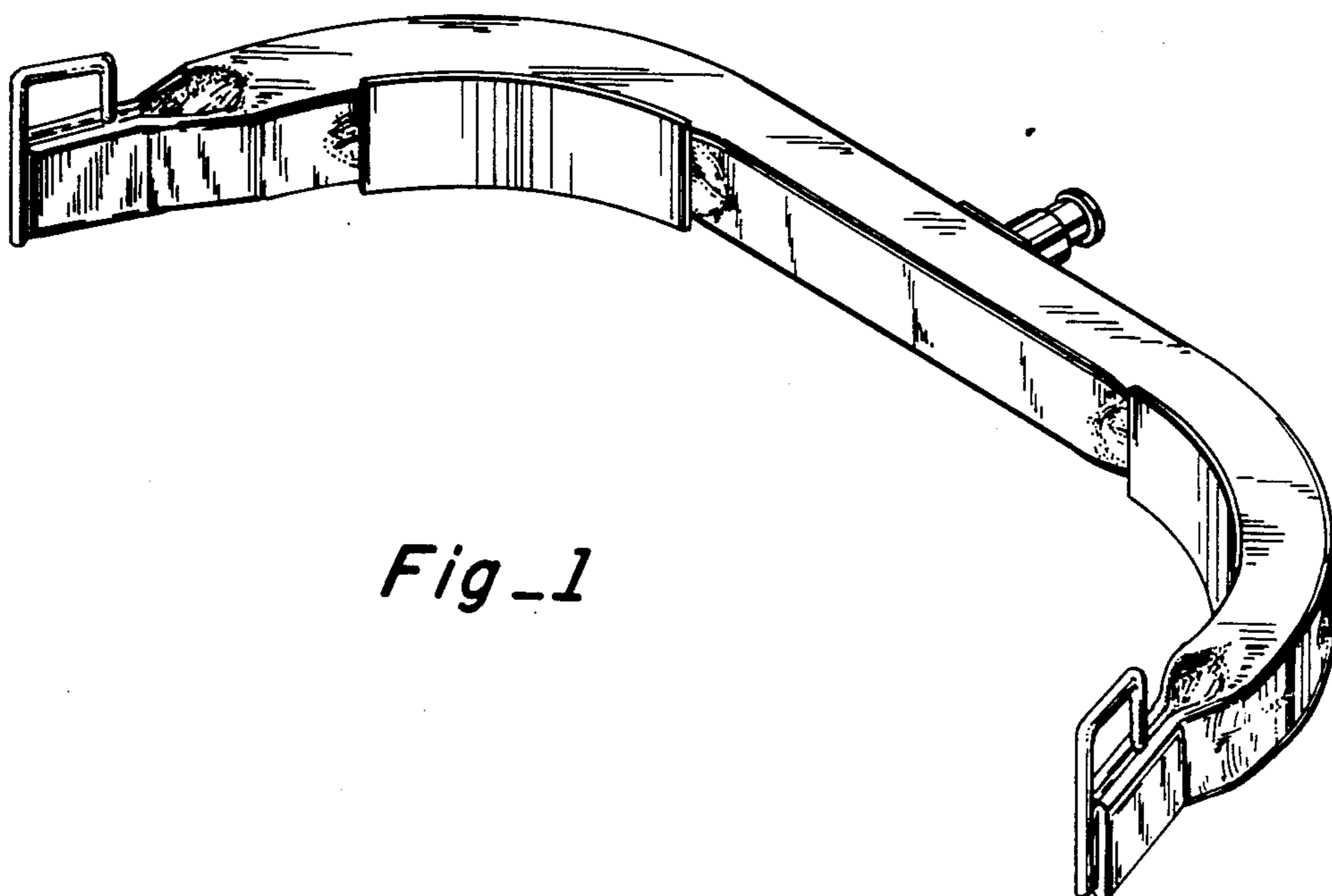
Fig_4



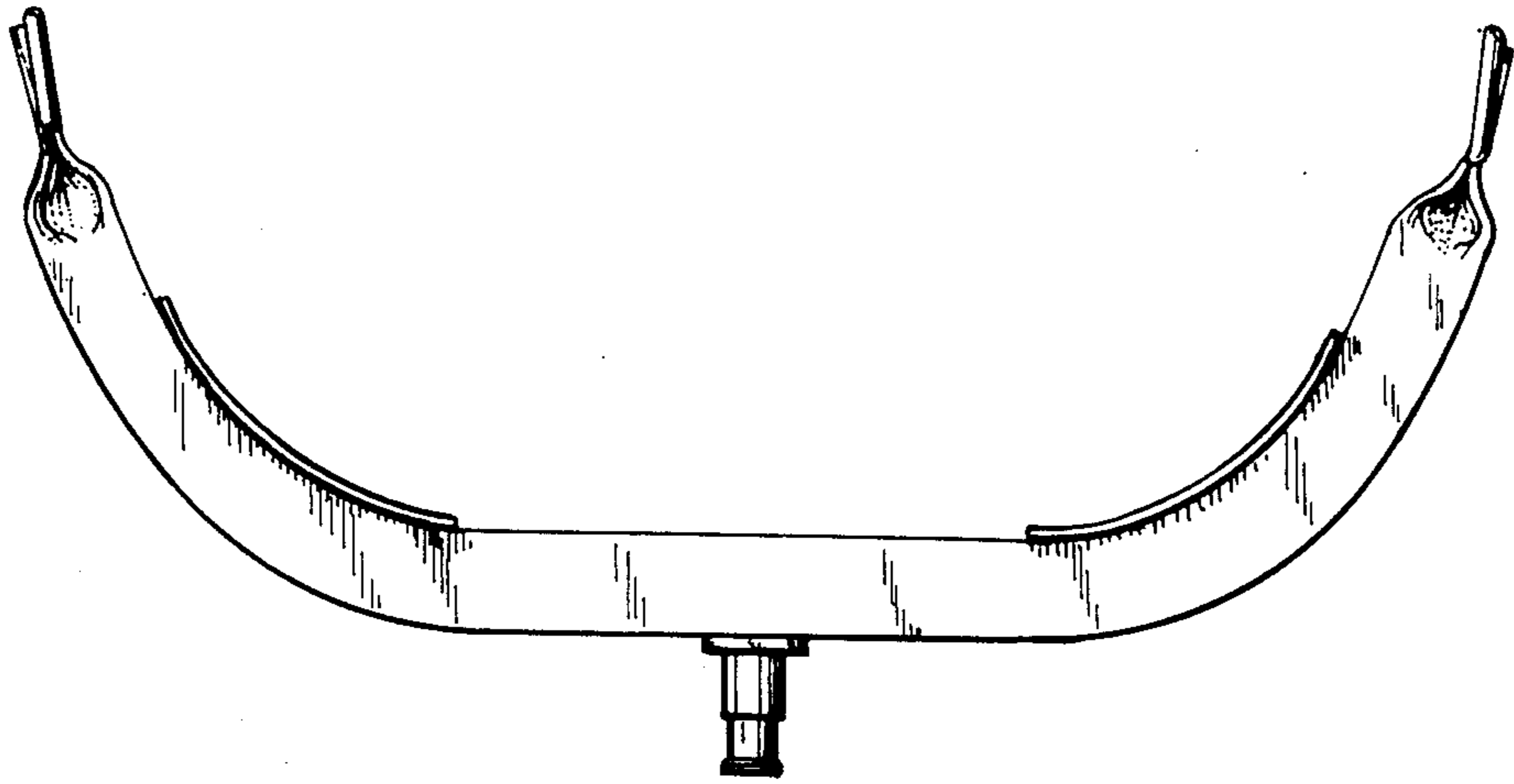
Fig_3



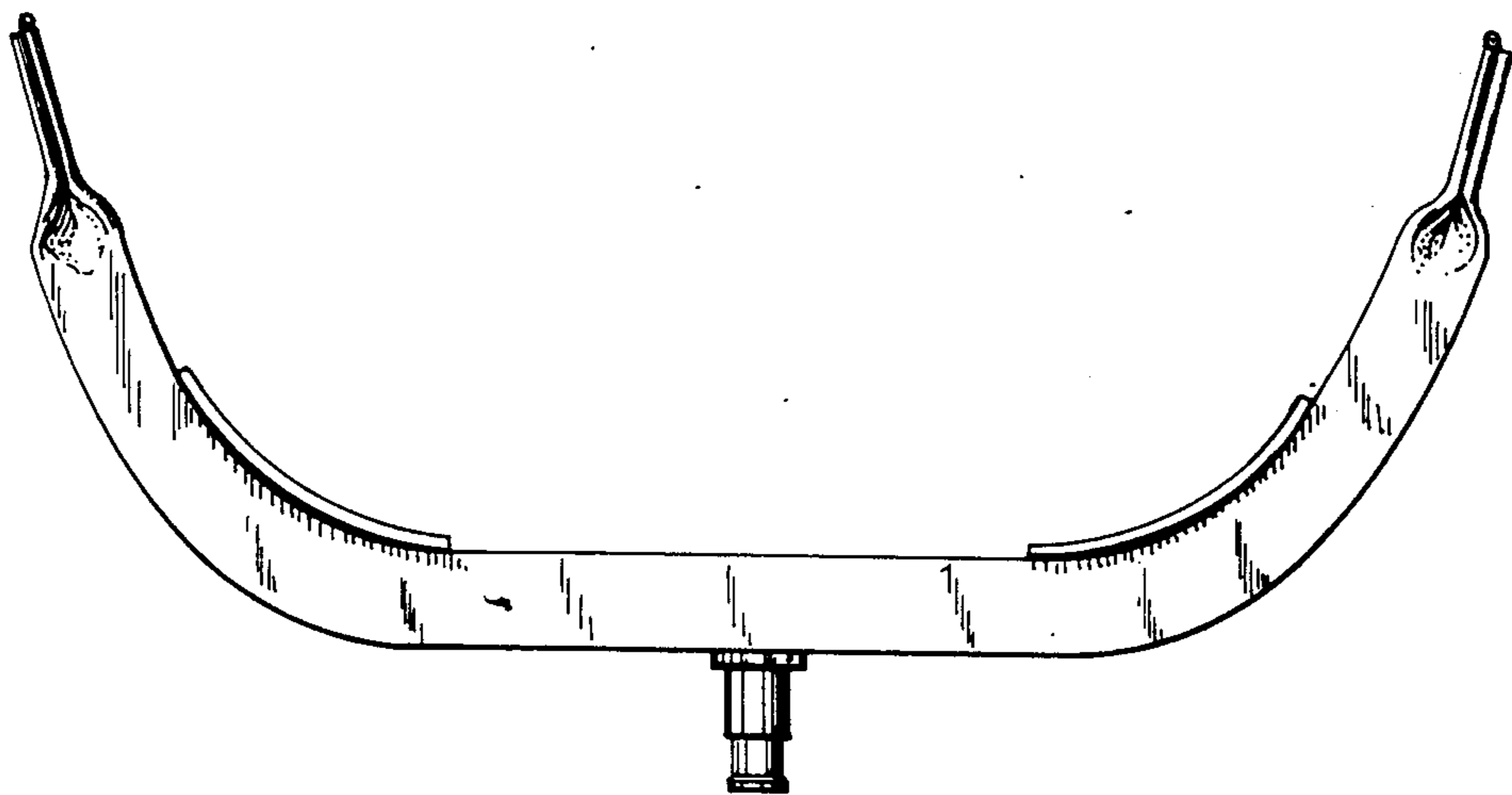
Fig_2



Fig_1



Fig_5



Fig_6