

[54] ASHTRAY

[76] Inventors: Ernest L. Sackett, 100 Waverly Dr., Grants Pass, Oreg. 97526; Marvin E. Sackett, 3525 Whitney Ave., #1, Sacramento, Calif. 95821

[\*\*] Term: 14 Years

[21] Appl. No.: 736,354

[22] Filed: Oct. 27, 1976

[51] Int. Cl. .... D27-03

[52] U.S. Cl. .... D27/29

[58] Field of Search ..... D27/8, 10, 11, 12, 13, D27/15, 16, 17, 22, 23, 25, 27, 28, 29; 220/1 H; 206/496; 131/231, 235 R, 235 ST, 238, 240 R, 242, 256

[56]

References Cited

U.S. PATENT DOCUMENTS

D. 120,992 6/1940 Kushiner ..... D27/29  
D. 145,573 9/1946 Frank ..... D27/26

Primary Examiner—Wallace R. Burke  
Assistant Examiner—Catherine Kemper  
Attorney, Agent, or Firm—Clarence M. Crews

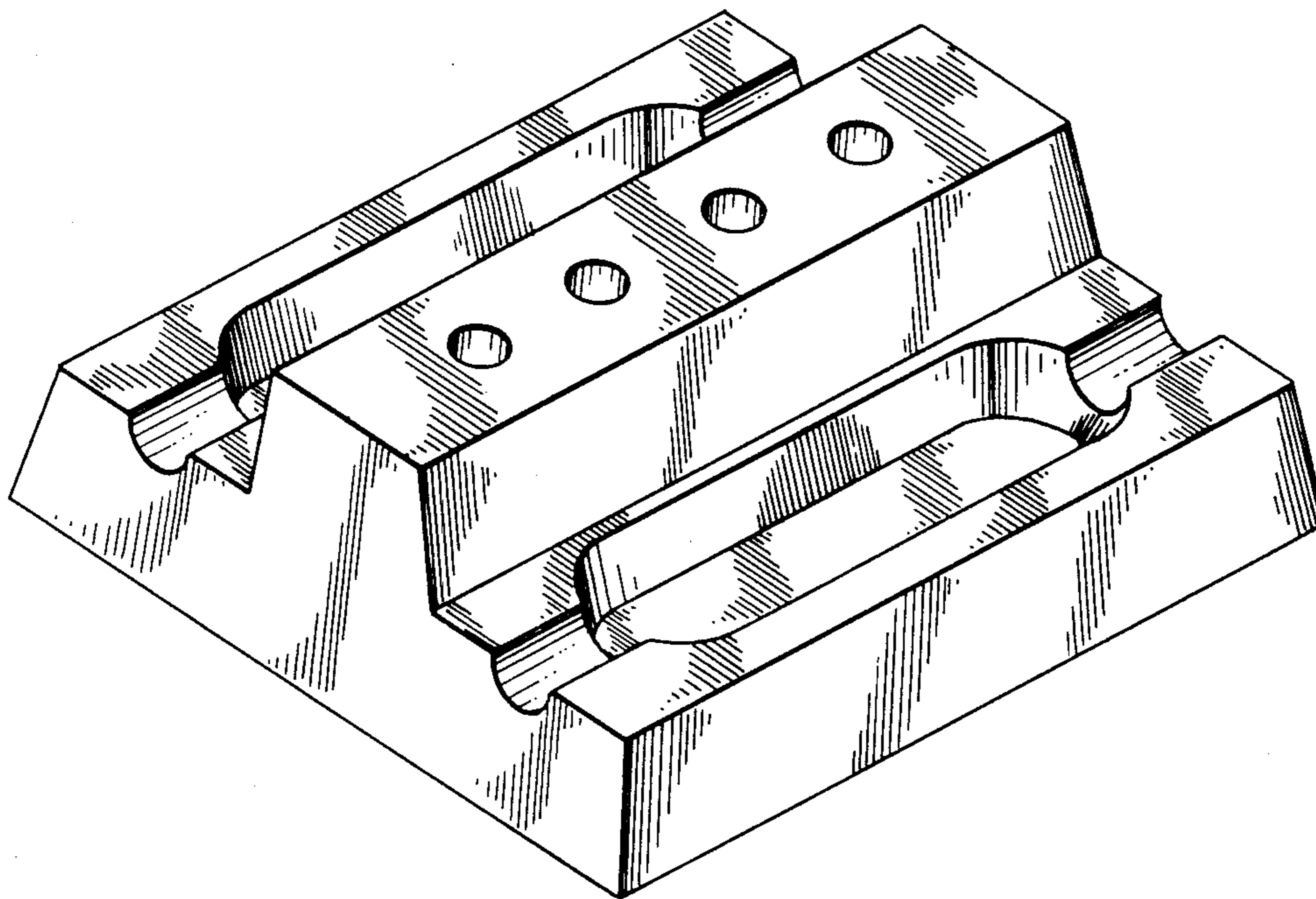
[57]

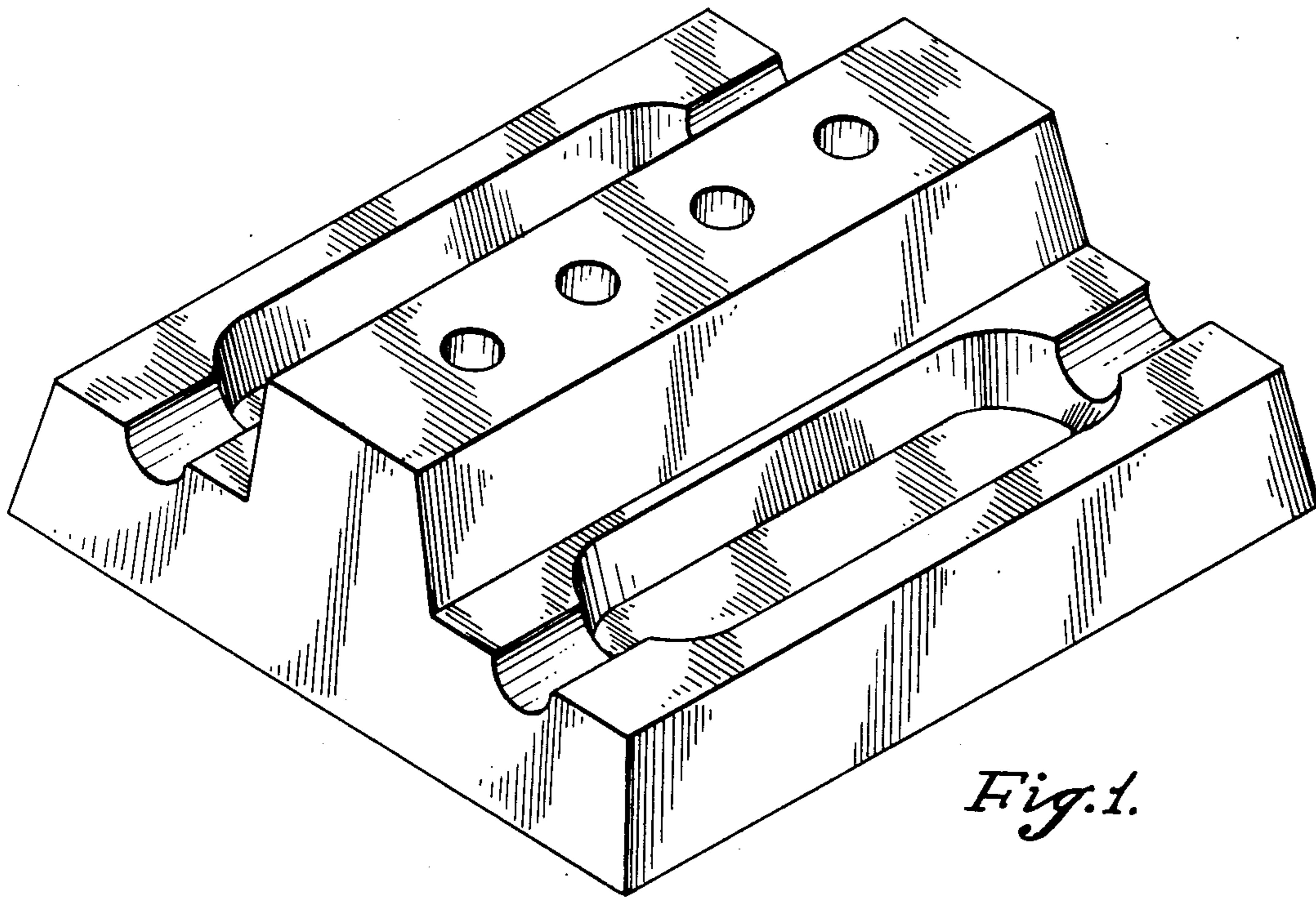
CLAIM

The ornamental design for an ashtray, as shown and described.

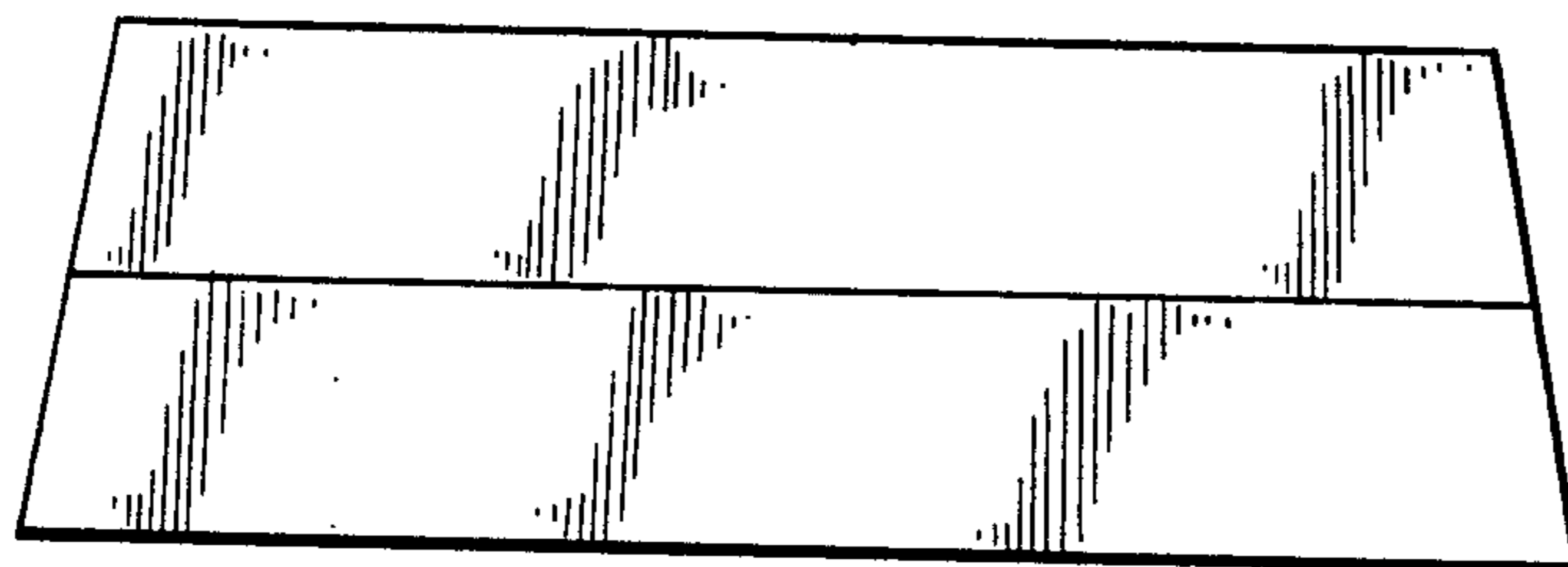
DESCRIPTION

FIG. 1 is a perspective view of an ashtray, showing our new design;  
FIG. 2 is a side elevational view, the opposite side being identical thereto; and  
FIG. 3 is an end elevational view, the opposite end being identical thereto.

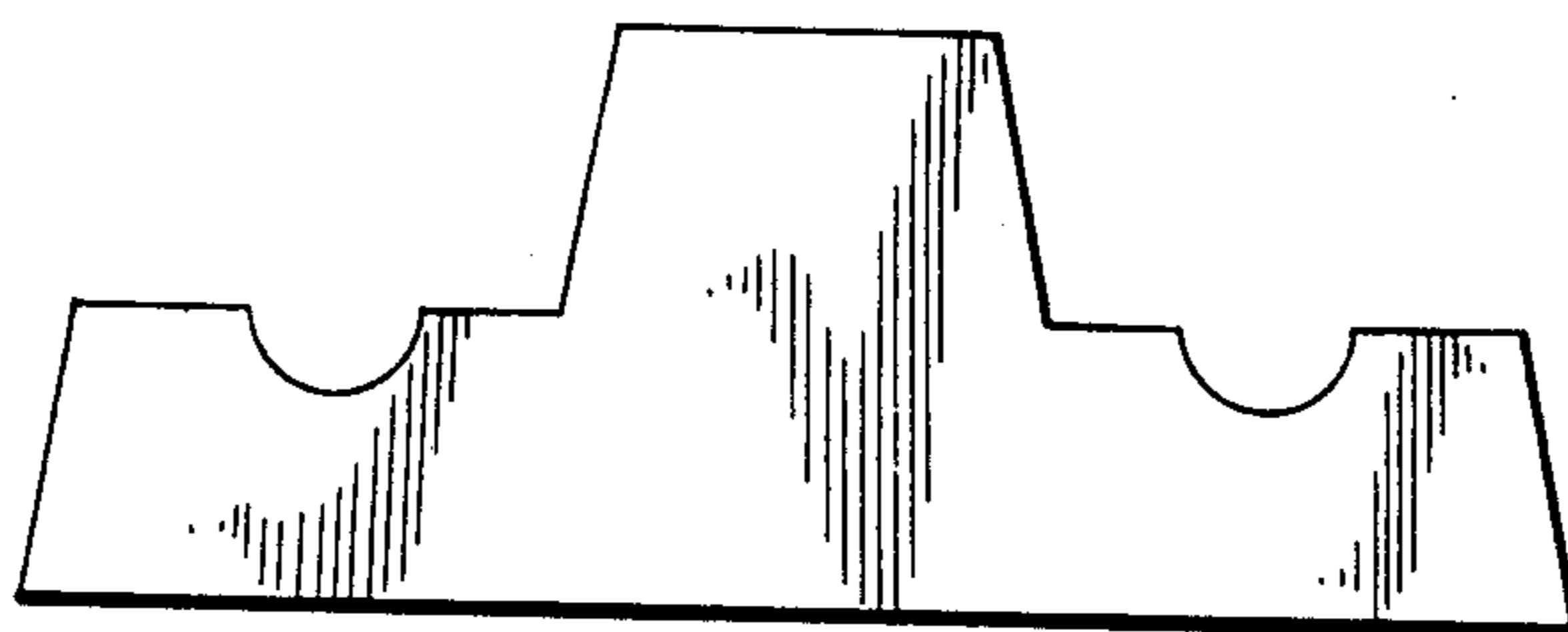




*Fig. 1.*



*Fig. 2.*



*Fig. 3.*