

[54] COMBINED ELASTIC FRAME AND MOLD BLOCK FOR FIREPROOF FEED-THROUGH OF ELECTRIC CABLES OR THE LIKE

[75] Inventor: Erik Mikael Blomqvist, Karlskrona, Sweden

[73] Assignee: AB Lyckeaborgs Bruk, Karlskrona, Sweden

[\*\*] Term: 14 Years

[21] Appl. No.: 757,223

[22] Filed: Dec. 21, 1976

[30] Foreign Application Priority Data

Sep. 24, 1976 [SE] Sweden ..... 76-1864

[51] Int. Cl. .... D25-02

[52] U.S. Cl. .... D25/35; D25/91

[58] Field of Search ..... 52/220, 285, 1; 126/314; D25/80, 60, 61, 87, 88, 90, 91, 92, 97, 98, 35; D29/1

[56] References Cited

U.S. PATENT DOCUMENTS

1,524,146	1/1925	Murray .....	D25/90 X
3,885,296	5/1975	Stout .....	52/220 X
4,010,581	3/1977	Keturi et al. ....	52/220
4,050,205	9/1977	Ligda .....	52/220 X

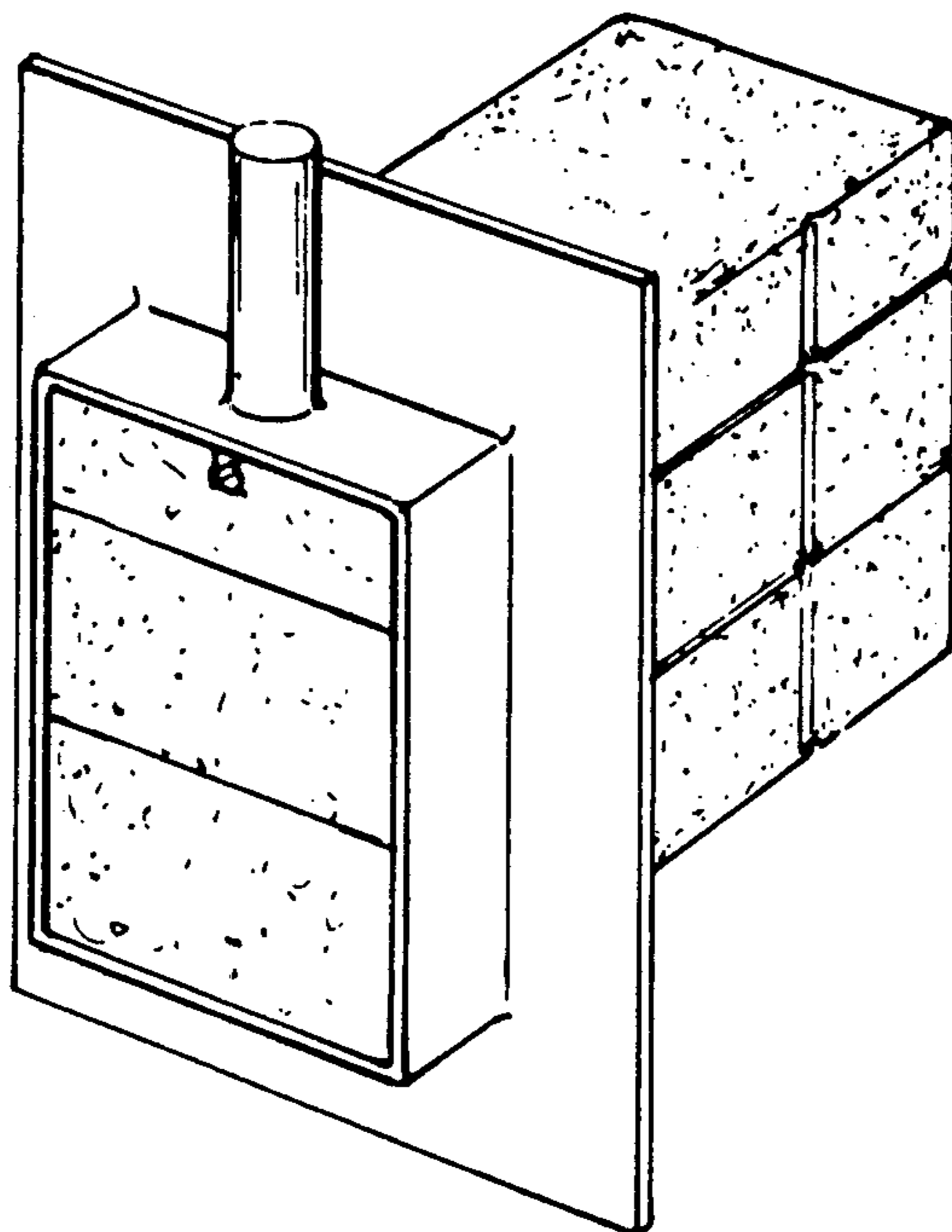
Primary Examiner—A. Hugo Word  
Attorney, Agent, or Firm—Irvin S. Thompson

[57] CLAIM

The ornamental design for a combined elastic frame and mold block for fireproof feed-through of electric cables or the like, as shown.

DESCRIPTION

FIG. 1 is a perspective view of a combined elastic frame and mold block for fireproof feed-through of electric cables or the like, showing my new design;  
FIG. 2 is a top perspective view but from the rear thereof; and  
FIG. 3 is a bottom perspective view from the same side as FIG. 2.



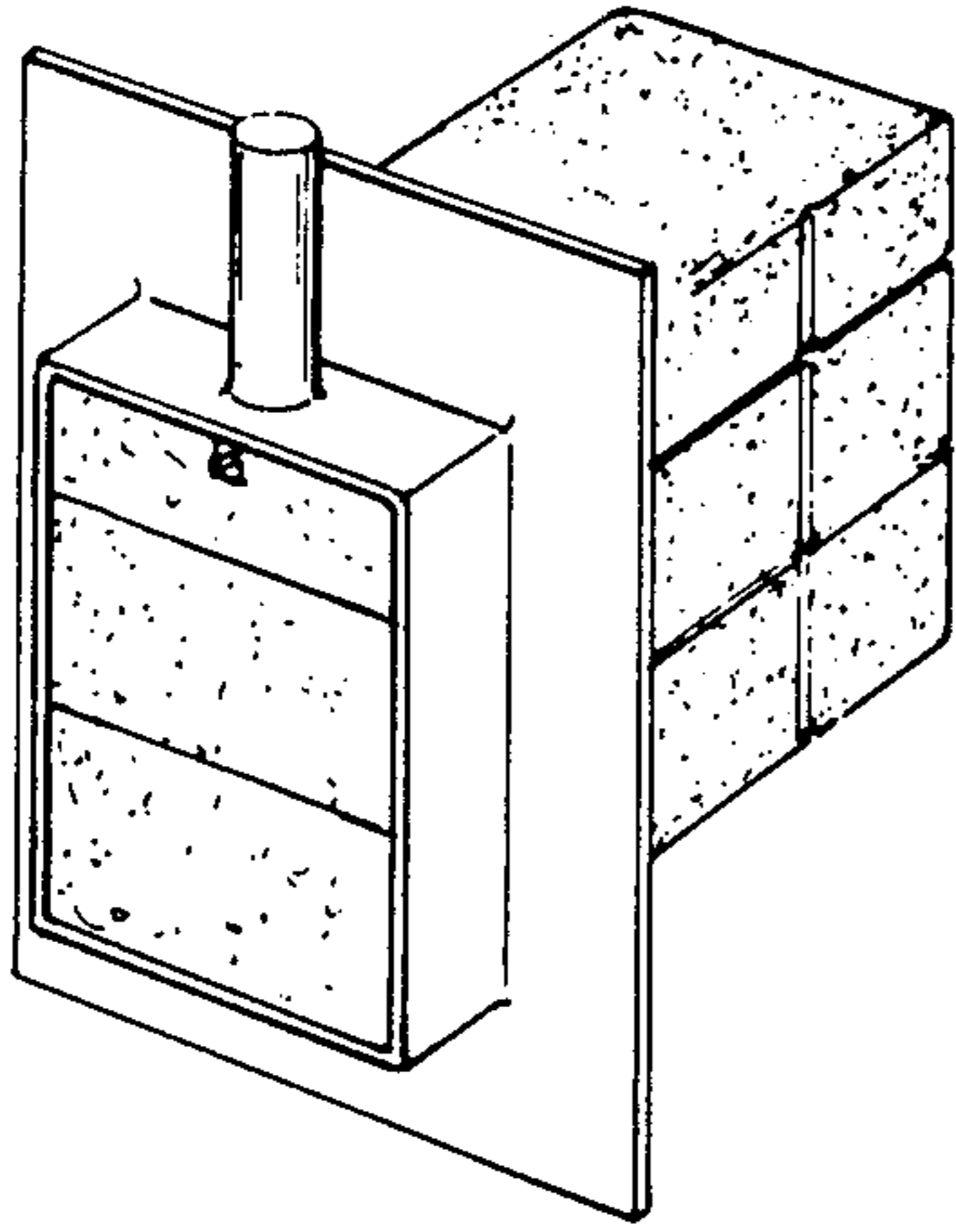


FIG. 1

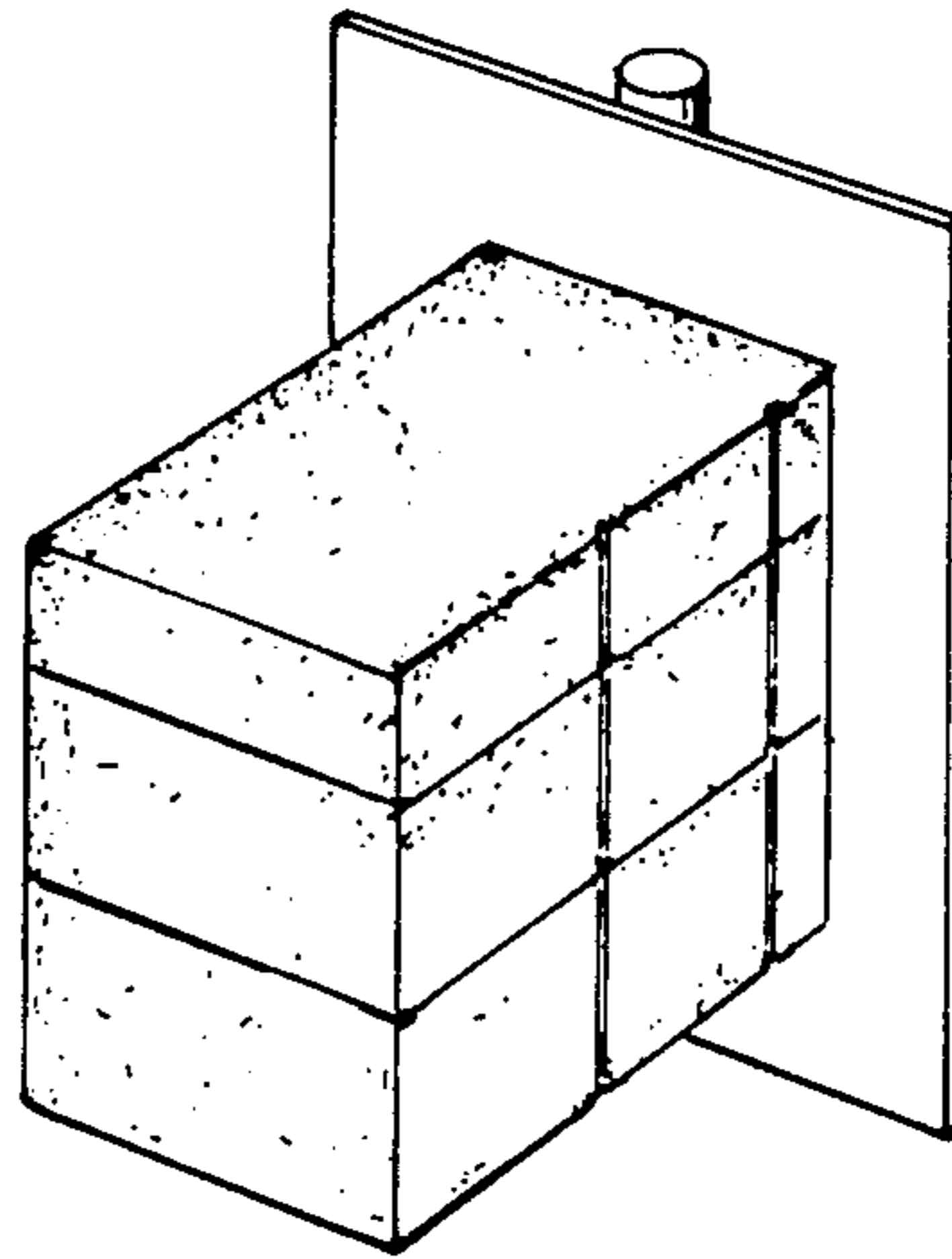


FIG. 2

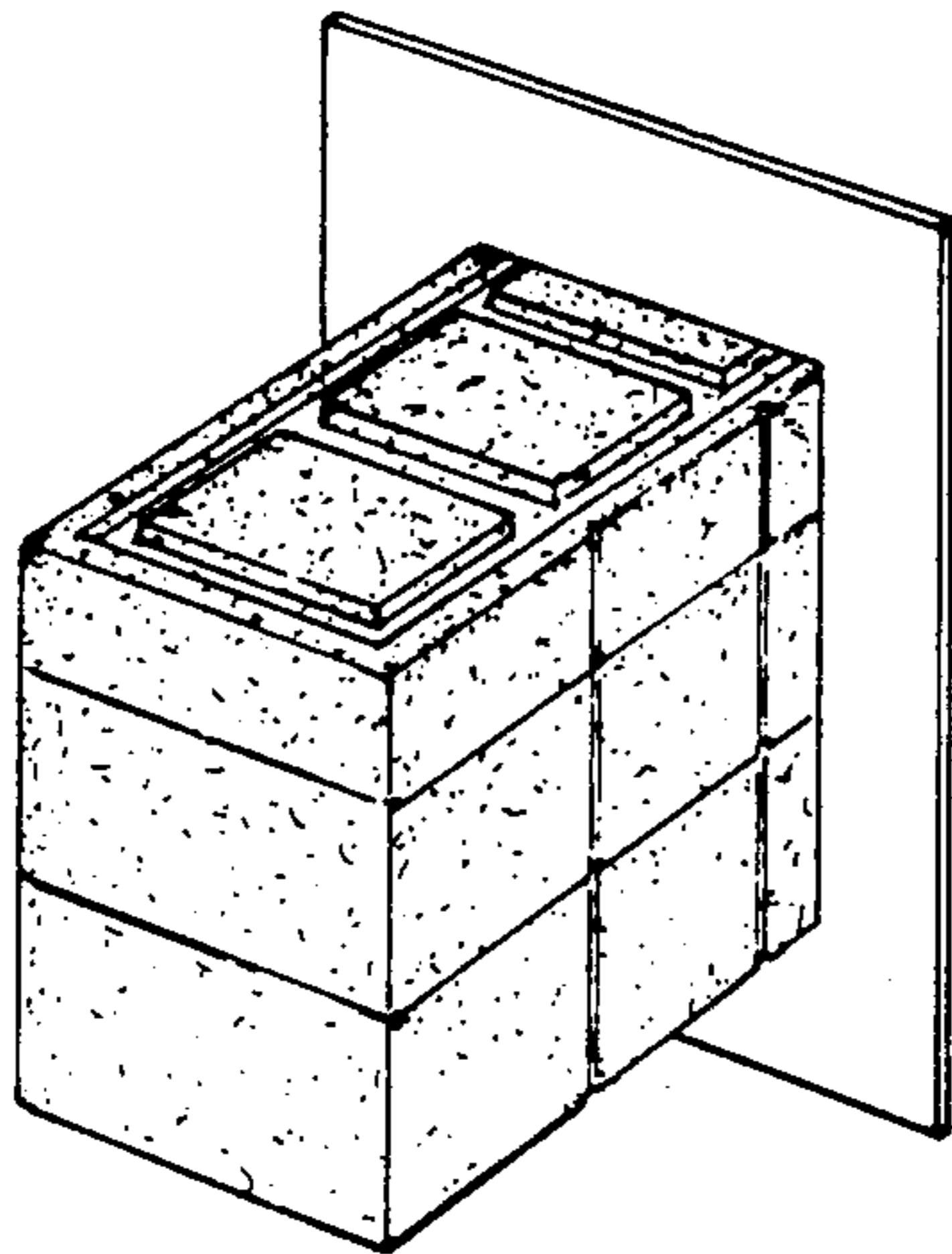


FIG. 3