

[54] MUSCLE STIMULATING PULSE GENERATOR

[75] Inventors: Bernard Jankelson, 1451 Medical-Dental Bldg., Seattle, Wash. 98101; John C. Radke, Seattle, Wash.

[73] Assignee: Bernard Jankelson, Seattle, Wash.

[**] Term: 14 Years

[21] Appl. No.: 810,586

[22] Filed: Jun. 27, 1977

[51] Int. Cl. D28-03; D24-01

[52] U.S. Cl. D24/36

[58] Field of Search 128/422, 410, 421, 423, 128/419 R; D24/8, 36, 17

[56] References Cited

U.S. PATENT DOCUMENTS

D. 243,475 2/1977 Frazier D24/17

D. 246,173	10/1977	Levin	D24/36 X
3,387,147	6/1968	Radwan	128/422 X
3,797,500	3/1974	Porter	128/422 X
4,033,356	7/1977	Hara	128/422

Primary Examiner—Bernard Ansher
Attorney, Agent, or Firm—Richard W. Seed

[57] CLAIM

The ornamental design for a muscle stimulating pulse generator, as shown.

DESCRIPTION

FIG. 1 is an isometric view of the muscle stimulating pulse generator embodying our design; FIG. 2 is a front elevational view of the muscle stimulating pulse generator of FIG. 1; FIG. 3 is a side elevational view of the muscle stimulating pulse generator of FIG. 1; FIG. 4 is a rear elevational view of the muscle stimulating pulse generator of FIG. 1; and FIG. 5 is a bottom plan view of the muscle stimulating pulse generator of FIG. 1.

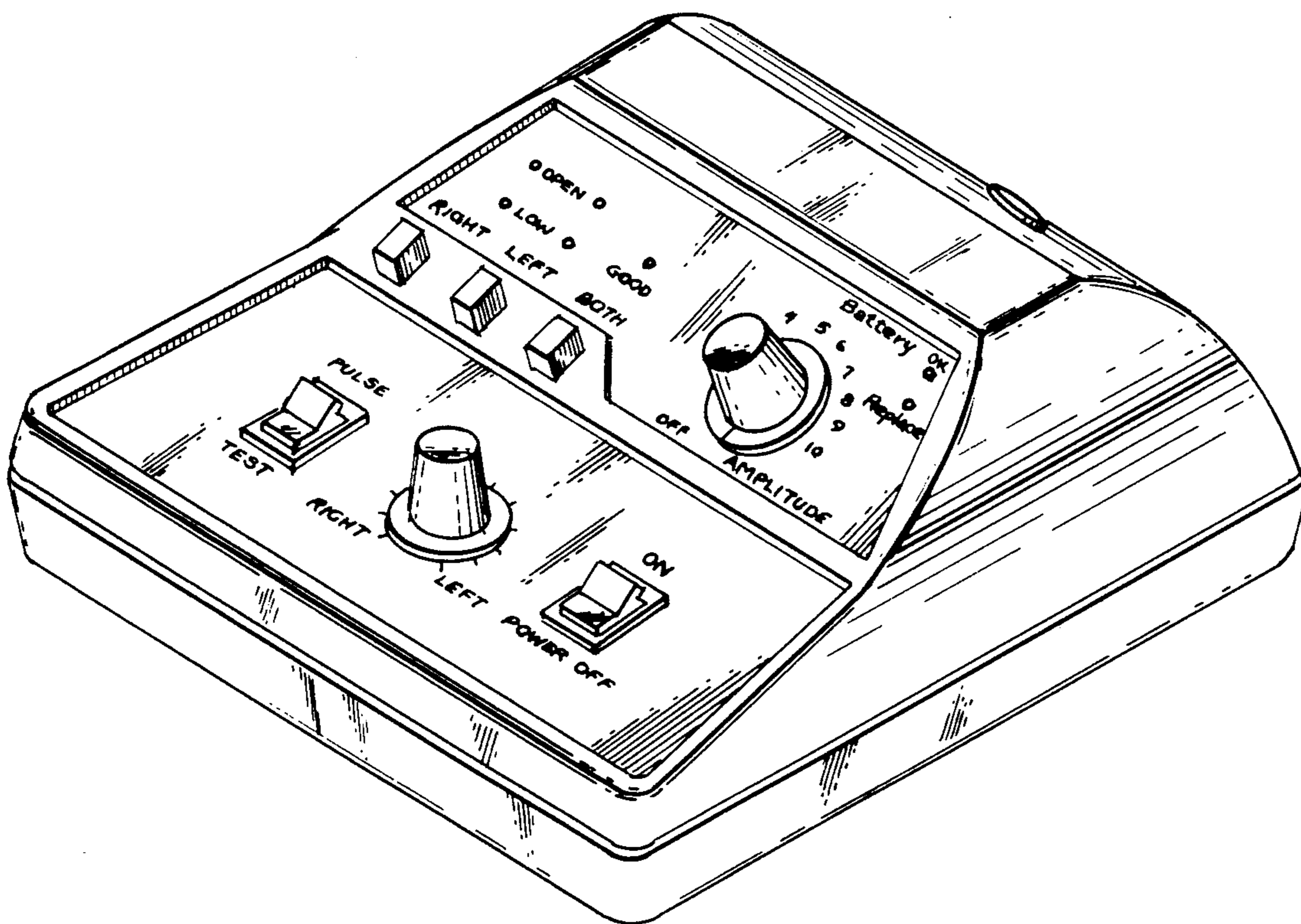


FIG. 1

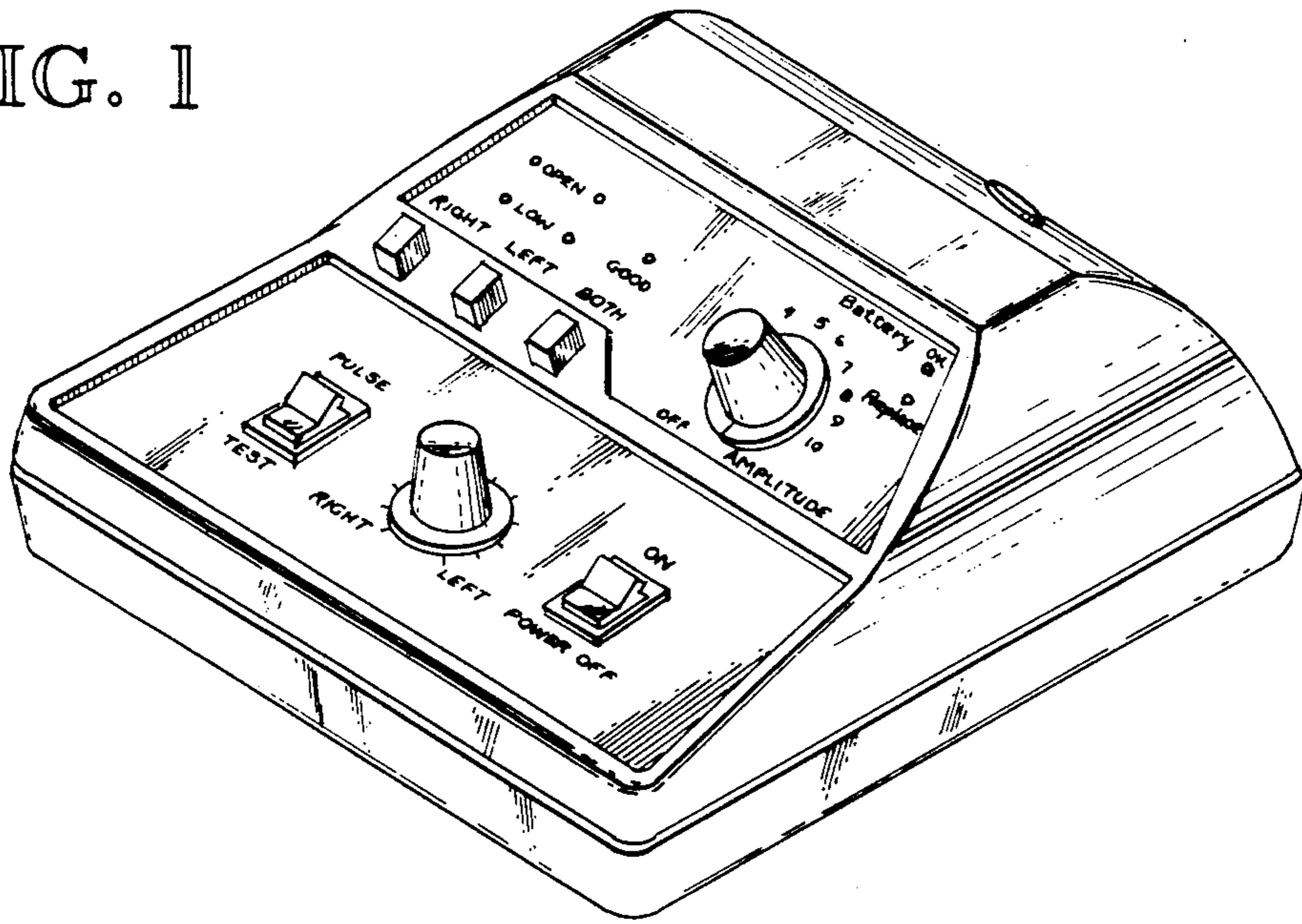


FIG. 2

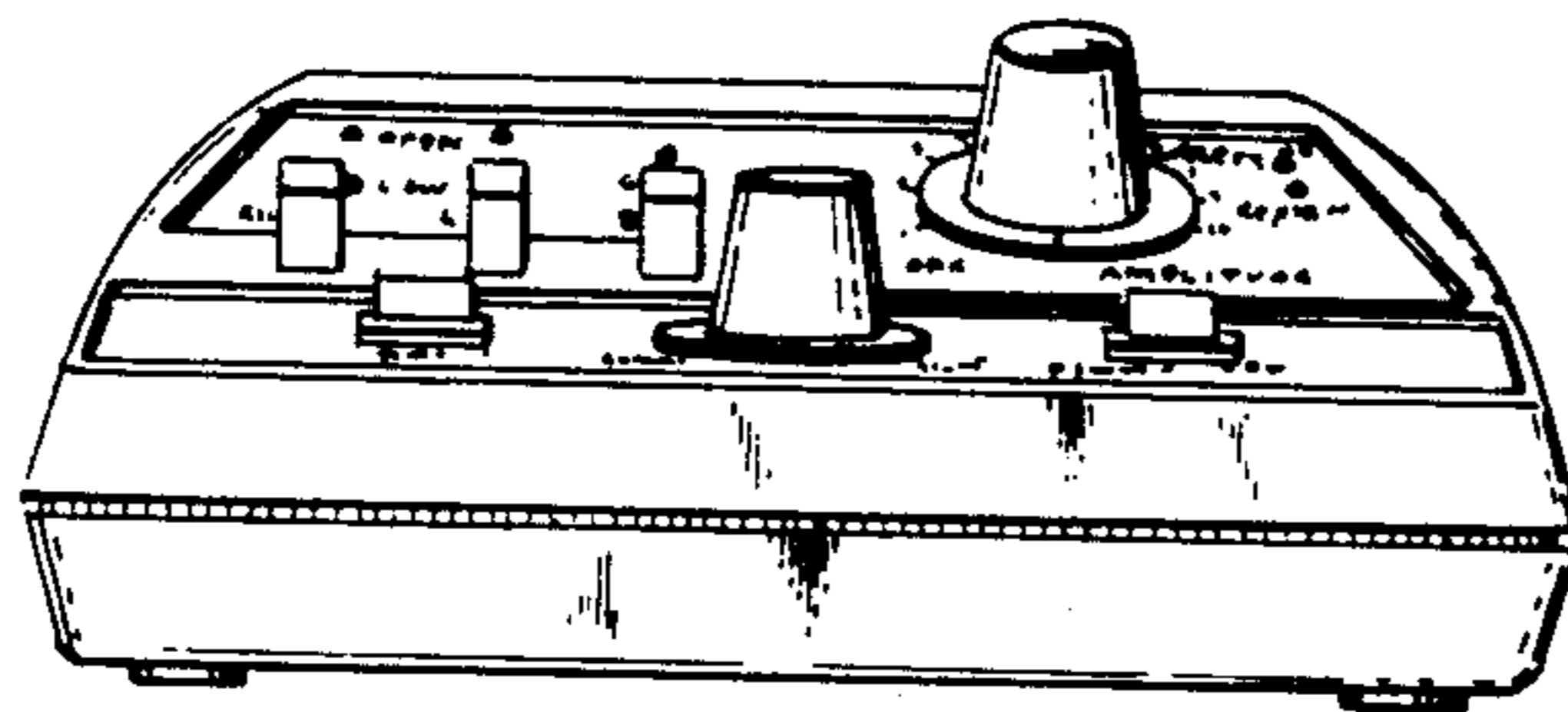


FIG. 3

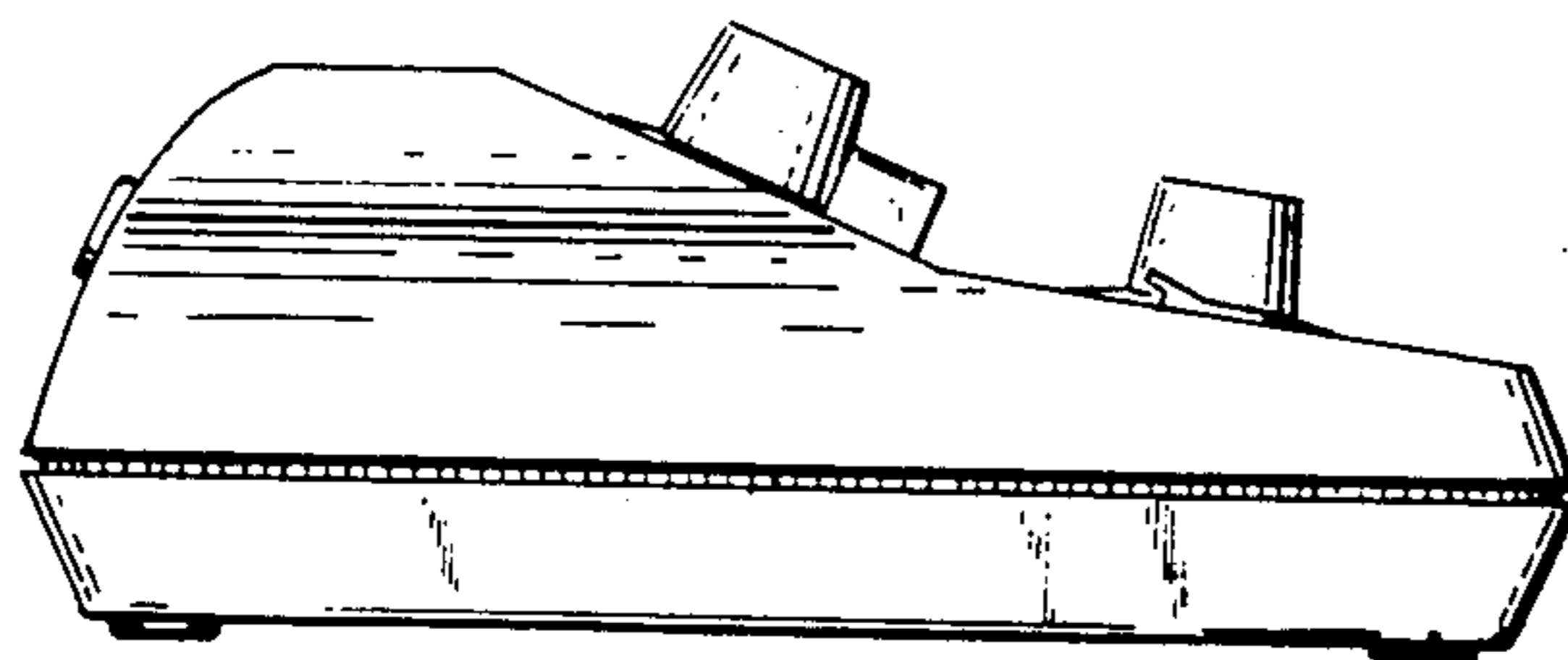


FIG. 4

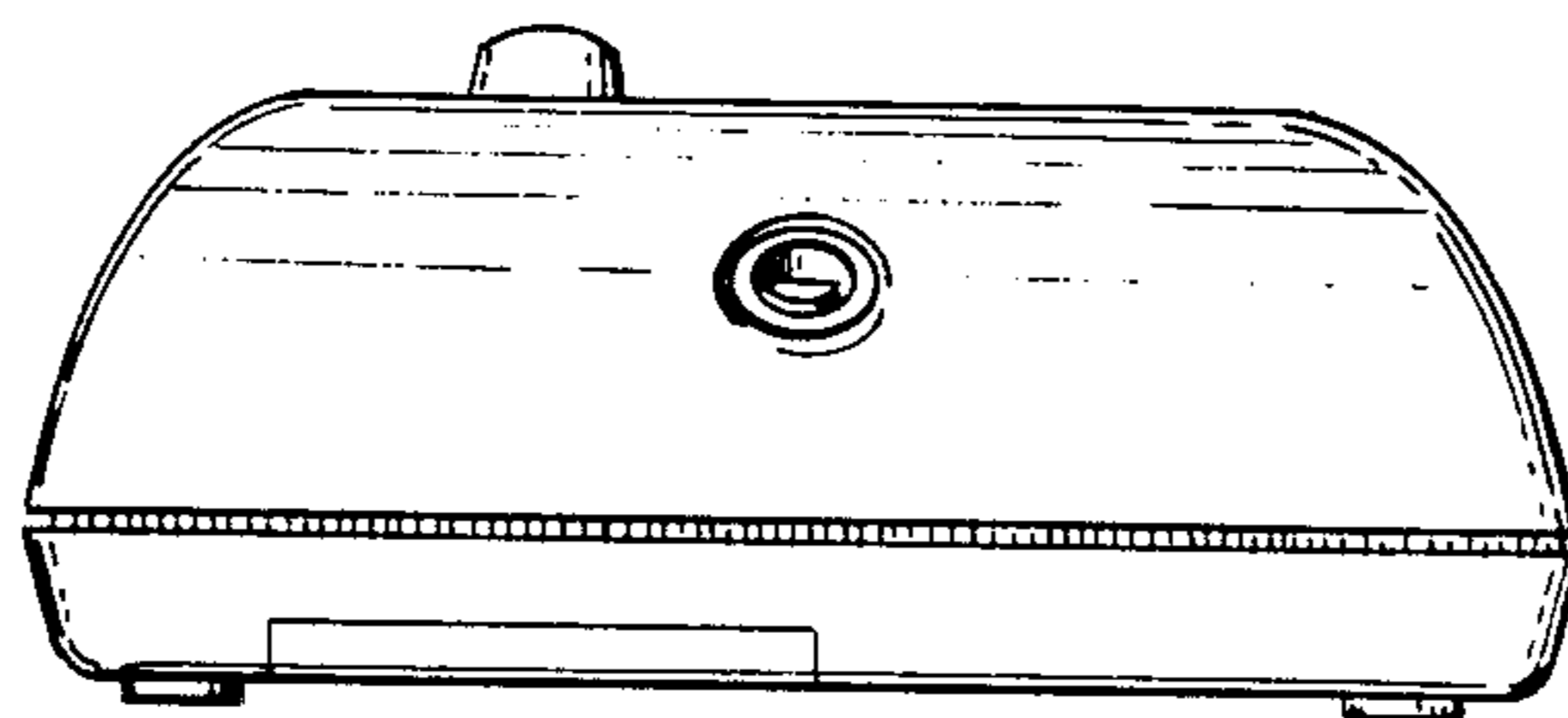


FIG. 5

